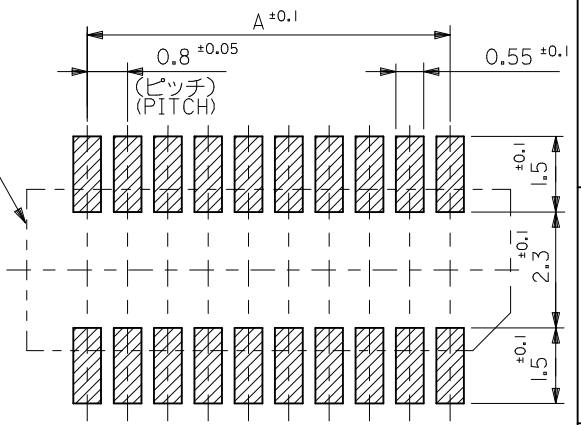
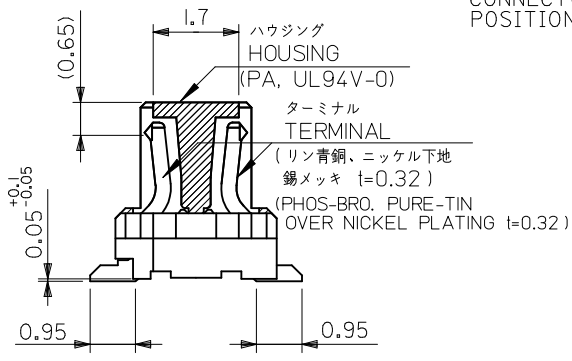
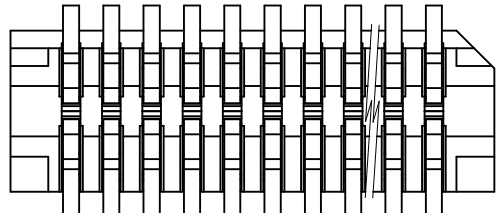
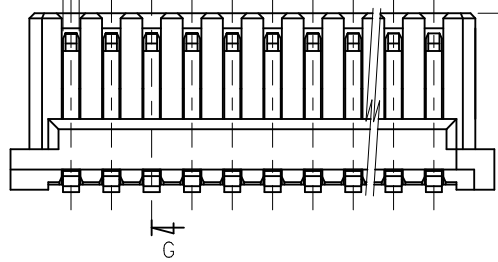


回路番号 1 (表示用切欠き)  
CHAMFERING TO INDICATE CKT. NO.1



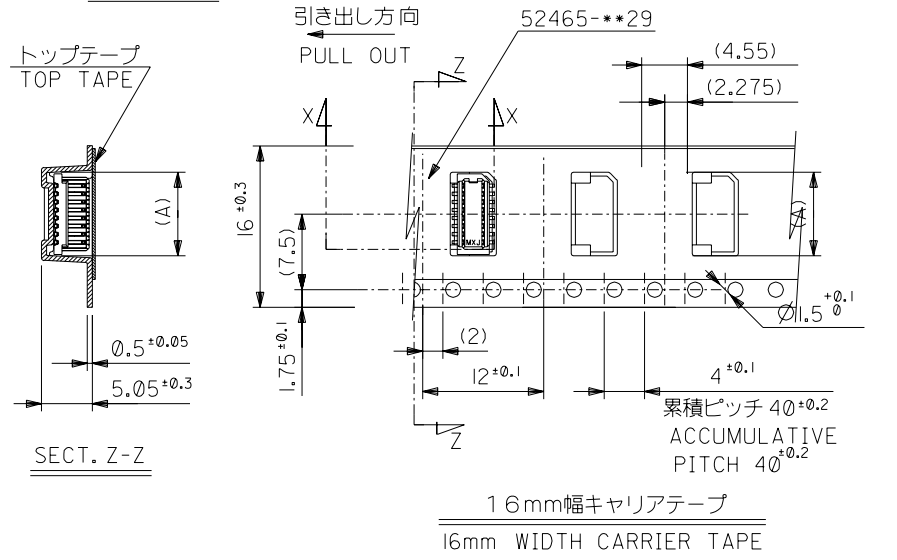
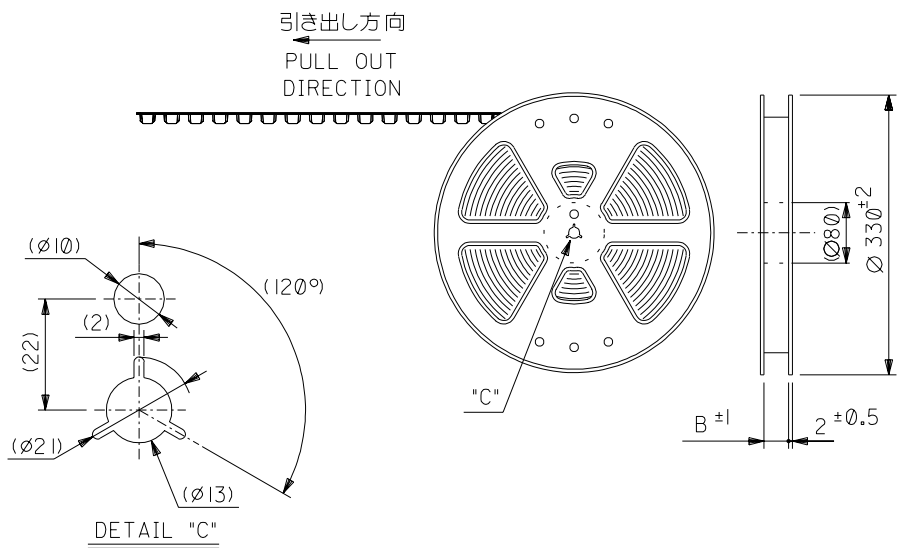
参考基板レイアウト (マウント面)  
P.C.B. PATTERN LAYOUT (REF.) (MOUNT AREA)

|     |      |       |      |                         |              |      |
|-----|------|-------|------|-------------------------|--------------|------|
| 0.4 | 17.6 | 16.85 | 15.2 | 52465-4071              | 52465-4029   | 40   |
| 0.8 | 16.8 | 16.05 | 14.4 | 52465-3871              | 52465-3829   | 38   |
| 0.4 | 16.0 | 15.25 | 13.6 | 52465-3671              | 52465-3629   | 36   |
| 0.8 | 15.2 | 14.45 | 12.8 | 52465-3471              | 52465-3429   | 34   |
| 0.4 | 14.4 | 13.65 | 12.0 | 52465-3271              | 52465-3229   | 32   |
| 0.8 | 13.6 | 12.85 | 11.2 | 52465-3071              | 52465-3029   | 30   |
| 0.4 | 12.8 | 12.05 | 10.4 | 52465-2871              | 52465-2829   | 28   |
| 0.8 | 12.0 | 11.25 | 9.6  | 52465-2671              | 52465-2629   | 26   |
| 0.4 | 11.2 | 10.45 | 8.8  | 52465-2471              | 52465-2429   | 24   |
| 0.8 | 10.4 | 9.65  | 8.0  | 52465-2271              | 52465-2229   | 22   |
| 0.4 | 9.6  | 8.85  | 7.2  | 52465-2071              | 52465-2029   | 20   |
| 0.8 | 8.8  | 8.05  | 6.4  | 52465-1871              | 52465-1829   | 18   |
| 0.4 | 8.0  | 7.25  | 5.6  | 52465-1671              | 52465-1629   | 16   |
| 0.8 | 7.2  | 6.45  | 4.8  | 52465-1471              | 52465-1429   | 14   |
| 0.4 | 6.4  | 5.65  | 4.0  | 52465-1271              | 52465-1229   | 12   |
| 0.8 | 5.6  | 4.85  | 3.2  | 52465-1071              | 52465-1029   | 10   |
| D   | C    | B     | A    | EMBOSSED TAPE ORDER No. | MATERIAL NO. | CKT. |

- NOTES
1. 嵌合相手: 53307, 53309 シリーズ  
MATES WITH 53307, 53309 SERIES
  2. ハウジングの C から隣接するターミナルの C 迄の位置を示す。  
SHOW POSITION FROM C OF HOUSING TO C OF ADJACENT TERMINALS.
  3. 一對の基板の嵌合に於いて、本製品を2個以上使用することは推奨できません。  
MXJ DOSE NOT RECOMMEND THE USAGE OF TWO OR MORE OF THESE CONNECTORS BETWEEN A SINGLE PAIR OF P. C. BOARD.
  4. 本製品は 52465-\*\*27 の鉛フリー品である。  
THIS PRODUCT IS LEAD FREE OF 52465-\*\*27.
  5. ELV及びRoHS適合品  
ELV AND RoHS COMPLIANT

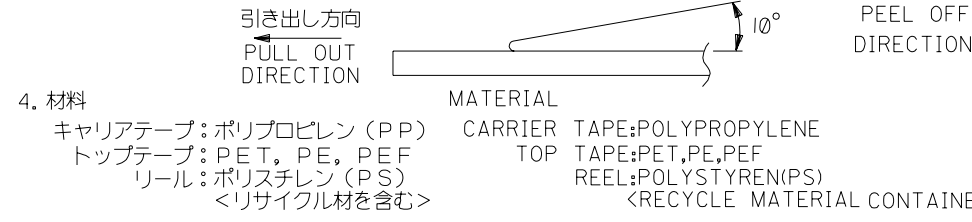
|  |             |   |       |                            |                    |   |  |                        |  |   |  |
|--|-------------|---|-------|----------------------------|--------------------|---|--|------------------------|--|---|--|
| REVISED<br>EC NO: J2010-0755<br>DRWN: TAKAGAWA01 2008/12/17<br>CHKD: SMARUYAMA 2010/03/24<br>APPR: MSASAO 2010/03/25 | DESCRIPTION | GENERAL TOLERANCES (UNLESS SPECIFIED)                                   |       | DIMENSION STYLE<br>MM ONLY |                    | SCALE<br>10:1   |  | DESIGN UNITS<br>METRIC |  | THIRD ANGLE PROJECTION  |  |
|  |             | 10 UNDER  | ±0.2  | DRAWN BY<br>Y. SAKIYAMA    | DATE<br>2004/02/17 | TITLE<br>0.8 BOARD TO BOARD CONN.<br>HOUSING ASSY SMT |  |                        |  |   |  |
|  |             | 10 OVER 30 UNDER  | ±0.25 | CHECKED BY<br>M. SASAO     | DATE<br>2004/02/17 |   |  |                        |  |   |  |
|  |             | 30 OVER   | ±0.3  | APPROVED BY<br>M. SASAO    | DATE<br>2004/02/17 |   |  |                        |  |   |  |
| A  | REV         | ANGULAR ±3 °<br>DRAFT WHERE APPLICABLE<br>MUST REMAIN WITHIN DIMENSIONS |       | MATERIAL NO.<br>SEE TABLE  |                    | DOCUMENT NO.<br>SD-52465-028                          |  | SHEET NO.<br>1 OF 1    |  | THIS DRAWING CONTAINS INFORMATION THAT IS PROPRIETARY TO MOLEX INCORPORATED AND SHOULD NOT BE USED WITHOUT WRITTEN PERMISSION |  |

DWG. NO. SD-52465-029



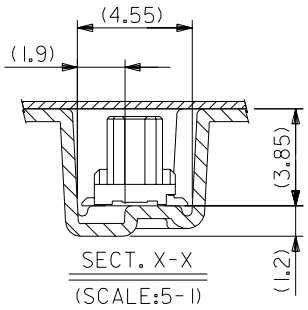
NOTES

- 梱包数量: 1000 個/リール NUMBER OF CONNECTORS: 1000 PCS/REEL
- リードテープ長さ LEAD TAPE LENGTH  
 トップテープ リーダー部 TOP TAPE LEADER PART 175 ±25  
 トップテープ 未接着部 TOP TAPE NON-BONDED PART 25 ±5  
 リーダー部 (空部) LEADER PART (EMPTY) 120 ±20  
 部品挿入部 COMPONENT SUPPLIER  
 末端部 (空部) TAIL PART (EMPTY) 150 ±40
- トップテープの剥離強度: 0.1 ~ 1.3N (10 ~ 130gf) (剥離方向は下図参照)  
 尚、本規格値は、出荷時に適用。(但し、輸送時に剥離が発生しない事。)  
 PEELING OFF FORCE OF TOP TAPE: 0.1 ~ 1.3N (10 ~ 130gf)  
 (PEELING DIRECTION AS SHOWN IN FOLLOWING FIG.)  
 THIS REQUIREMENT SHOULD BE APPLIED AT SHIPMENT  
 PEEL OFF SHOULD NOT BE ALLOWED, DURING TRANSPORTATION



- 材料  
 キャリアテープ: ポリプロピレン (PP) CARRIER TAPE: POLYPROPYLENE  
 トップテープ: PET, PE, PEF TOP TAPE: PET, PE, PEF  
 リール: ポリスチレン (PS) REEL: POLYSTYRENE (PS)  
 <リサイクル材を含む> <RECYCLE MATERIAL CONTAINED>

5. 本製品は 52465-\*\*\*91 の鉛フリー品である。  
 THIS PRODUCT IS LEAD FREE OF 52465-\*\*\*91.



|    |      |     |            |    |
|----|------|-----|------------|----|
| 16 | 17.5 | 9.1 | 52465-1871 | 18 |
|    |      | 8.3 | 52465-1671 | 16 |
|    |      | 7.5 | 52465-1471 | 14 |
|    |      | 6.7 | 52465-1271 | 12 |
|    |      | 5.9 | 52465-1071 | 10 |

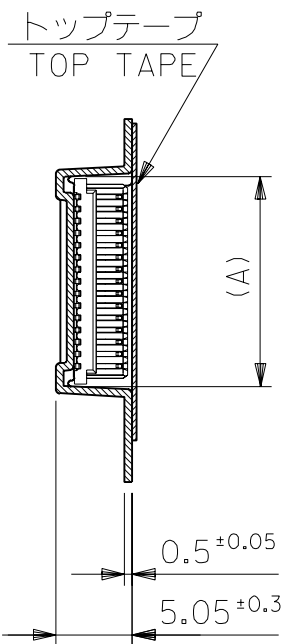
|                                |   |     |              |          |
|--------------------------------|---|-----|--------------|----------|
| キャリアテープ幅<br>CARRIER TAPE WIDTH | B | (A) | MATERIAL NO. | CIRCUITS |
|--------------------------------|---|-----|--------------|----------|

|   |  |  |  |  |  |  |   |  |                           |     |
|---|--|--|--|--|--|--|---|--|---------------------------|-----|
| DO NOT SCALE DRAWING                        |  |  |  |  | MODEL NO. 52465-***71  |  | DIMENSIONS:   |  | SHT                       | REV |
| GENERAL TOLERANCES: (UNLESS SPECIFIED) 一般公差 |  |  |  |  | SCALE  |  | DESIGN UNITS  |  | THIRD ANGLE PROJECTION    |     |
| MATERIAL 材料 SEE NOTES                       |  |  |  |  | DRAWN BY & DATE Y.SAKIYAMA '04/02/17   |  | TITLE: 0.8 B-To-B Hsg Assy SMT Embstp Pkg -LEAD FREE- |  | REVISION ON CAD ONLY      |     |
| FINISH 仕上げ //                               |  |  |  |  | CHECKED BY & DATE M.SASAO '04/02/17  |  | APPROVED BY & DATE M.SASAO '04/02/17                  |  | MATERIAL NO. SD-52465-029 |     |
| WIRE RANGE 適用電線範囲 //                        |  |  |  |  | ANGLE 角度 3°  |  | MATERIAL NO. SD-52465-029                             |  | DRAWING NO. SD-52465-029  |     |
| INS. RANGE 被覆外径 //                          |  |  |  |  | CAD FILENAME SD-52465-029.S01  |  | MATERIAL NO. SD-52465-029                             |  | SHEET NO. 1 OF 2          |     |
|   |  |  |  |  | THIS DRAWING CONTAINS INFORMATION THAT IS PROPRIETARY TO MOLEX INCORPORATED AND SHOULD NOT BE USED WITHOUT WRITTEN PERMISSION. |  | SIZE B  |  | EN-02J(097) MXJ-54        |     |

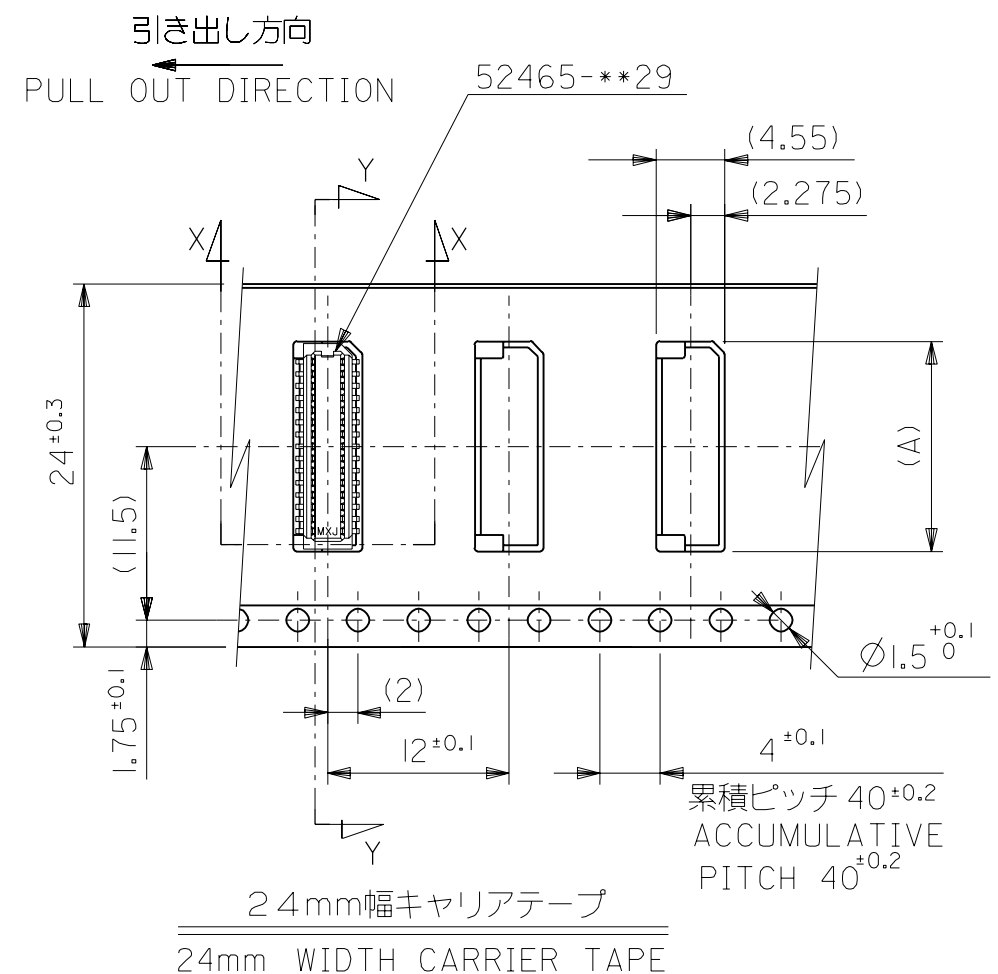
DO NOT SCALE DRAWING

SD-52465-029.S01

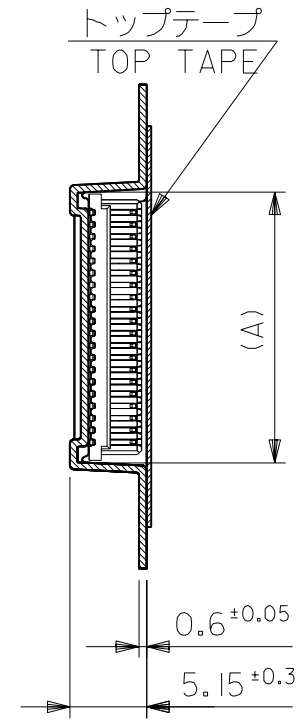
DWG. NO.  
SD-52465-029



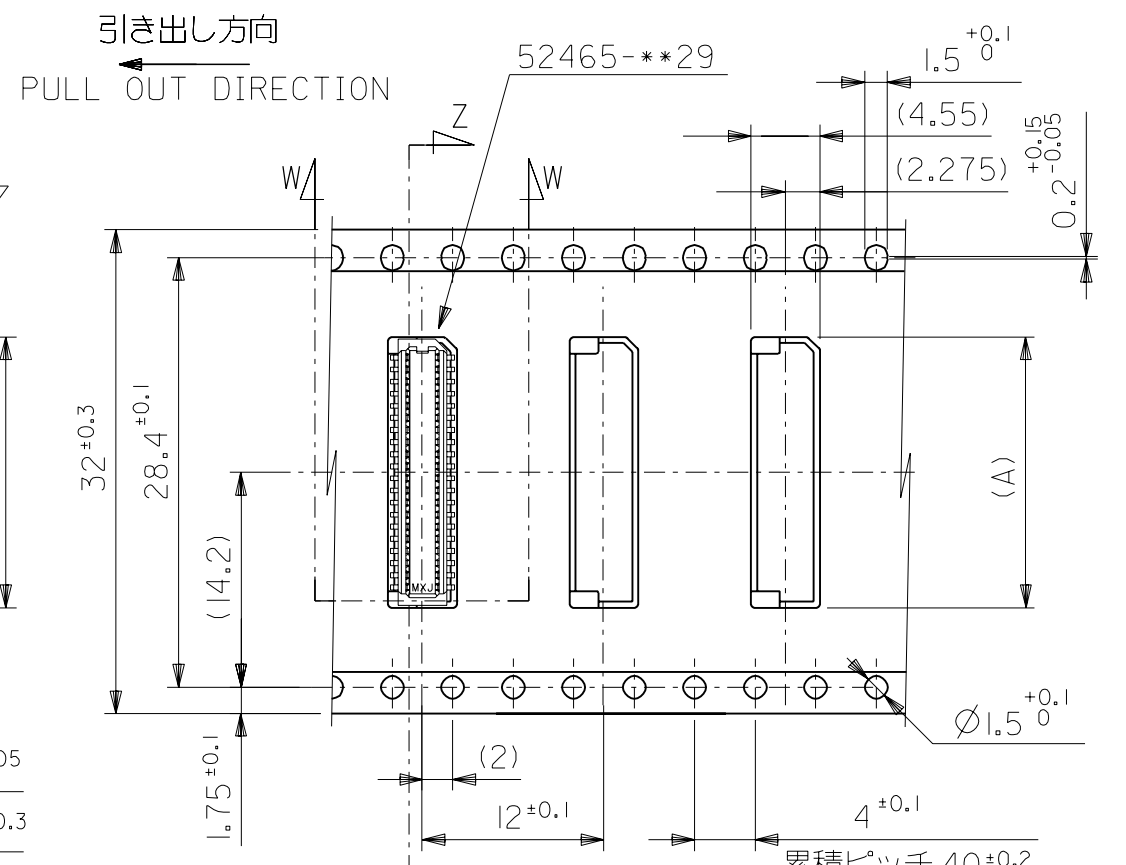
SECT. Y-Y



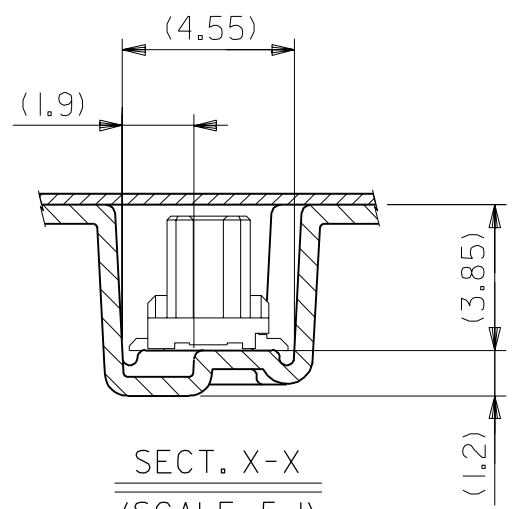
24mm幅キャリアテープ  
24mm WIDTH CARRIER TAPE



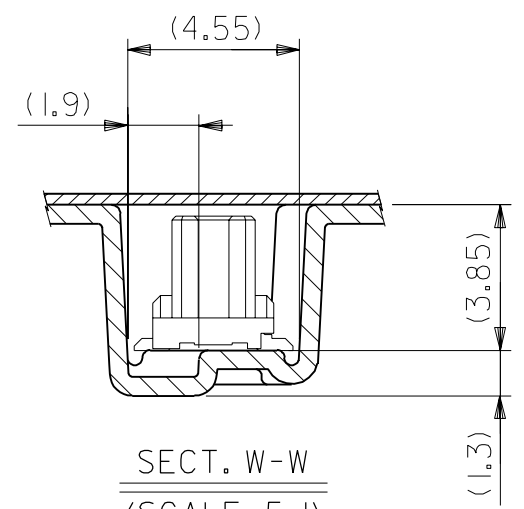
SECT. Z-Z



32mm幅キャリアテープ  
32mm WIDTH CARRIER TAPE



SECT. X-X  
(SCALE; 5:1)



SECT. W-W  
(SCALE; 5:1)

|                                |            |      |              |          |
|--------------------------------|------------|------|--------------|----------|
| 24                             | 33.5       | 17.9 | 52465-4071   | 40       |
|                                |            | 17.1 | 52465-3871   | 38       |
|                                |            | 16.3 | 52465-3671   | 36       |
|                                |            | 15.5 | 52465-3471   | 34       |
|                                |            | 14.7 | 52465-3271   | 32       |
|                                |            | 13.9 | 52465-3071   | 30       |
|                                |            | 13.1 | 52465-2871   | 28       |
|                                |            | 12.3 | 52465-2671   | 26       |
|                                |            | 11.5 | 52465-2471   | 24       |
| 10.7                           | 52465-2271 | 22   |              |          |
| 9.9                            | 52465-2071 | 20   |              |          |
| キャリアテープ幅<br>CARRIER TAPE WIDTH | B          | (A)  | MATERIAL NO. | CIRCUITS |

|  |                              |   |   |                        |           |
|--|------------------------------|---|---|------------------------|-----------|
| MODEL NO.  | 52465-***71                  | DIMENSIONS:                             | <input type="checkbox"/> mm <input type="checkbox"/> INCH <input checked="" type="checkbox"/> mm ONLY | SHT                    | REV       |
| SCALE  | ---                          | DESIGN UNITS                            | <input checked="" type="checkbox"/> mm <input type="checkbox"/> INCH                                  | THIRD ANGLE PROJECTION |           |
| GENERAL TOLERANCES:<br>(UNLESS SPECIFIED)<br>一般公差  | 10 UNDER 未満 ±0.2             | DRAWN BY & DATE<br>Y.SAKIYAMA '04/02/17 | TITLE:<br>0.8 B-To-B Hsg Assy SMT<br>Embstp Pkg -LEAD FREE-   |                        |           |
|  | 10 OVER 以上 30 UNDER 未満 ±0.25 | CHECKED BY & DATE<br>M.SASAO '04/02/17  | MOLEX INCORPORATED  |                        |           |
|  | 30 OVER 以上 ±0.3              | APPROVED BY & DATE<br>M.SASAO '04/02/17 | MATERIAL NO.  | DRAWING NO.            | SHEET NO. |
| ANGLE 角度   | ±3°                          | CAD FILENAME<br>SD-52465-029.S02        | SEE CHART   | SD-52465-029           | 2 OF 2    |
| THIS DRAWING CONTAINS INFORMATION THAT IS PROPRIETARY TO MOLEX INCORPORATED AND SHOULD NOT BE USED WITHOUT WRITTEN PERMISSION. |                              |   |   |                        | SIZE<br>B |

DO NOT SCALE DRAWING

|                    |                   |       |       |        |       |       |       |        |       |       |       |        |       |       |       |
|--------------------|-------------------|-------|-------|--------|-------|-------|-------|--------|-------|-------|-------|--------|-------|-------|-------|
| EC NO.             | DRWN:             | CH'K: | APPR: | EC NO. | DRWN: | CH'K: | APPR: | EC NO. | DRWN: | CH'K: | APPR: | EC NO. | DRWN: | CH'K: | APPR: |
|                    |                   |       |       |        |       |       |       |        |       |       |       |        |       |       |       |
| RELEASED '04/02/17 |                   |       |       |        |       |       |       |        |       |       |       |        |       |       |       |
| EC NO. J2004-2482  |                   |       |       |        |       |       |       |        |       |       |       |        |       |       |       |
| DRWN: Y.SAKIYAMA   |                   |       |       |        |       |       |       |        |       |       |       |        |       |       |       |
| CH'K: M.SASAO      |                   |       |       |        |       |       |       |        |       |       |       |        |       |       |       |
| APPR: M.SASAO      |                   |       |       |        |       |       |       |        |       |       |       |        |       |       |       |
| REV                | DESCRIPTION       |       |       |        |       |       |       |        |       |       |       |        |       |       |       |
| 0                  | SEE SHEET 1 OF 2  |       |       |        |       |       |       |        |       |       |       |        |       |       |       |
|                    | MATERIAL 材料       |       |       |        |       |       |       |        |       |       |       |        |       |       |       |
|                    | FINISH 仕上げ        |       |       |        |       |       |       |        |       |       |       |        |       |       |       |
|                    | WIRE RANGE 適用電線範囲 |       |       |        |       |       |       |        |       |       |       |        |       |       |       |
|                    | INS. RANGE 被覆外径   |       |       |        |       |       |       |        |       |       |       |        |       |       |       |