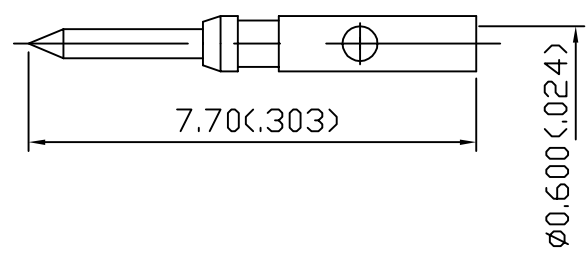
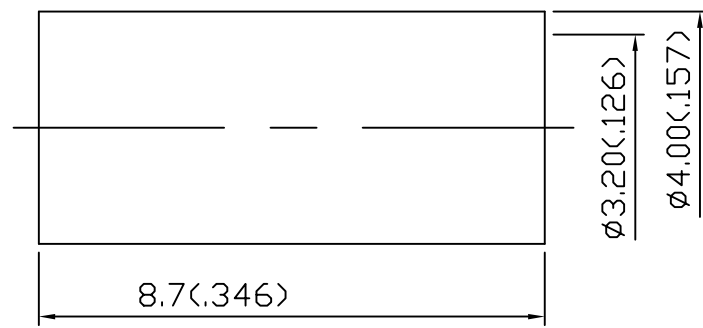
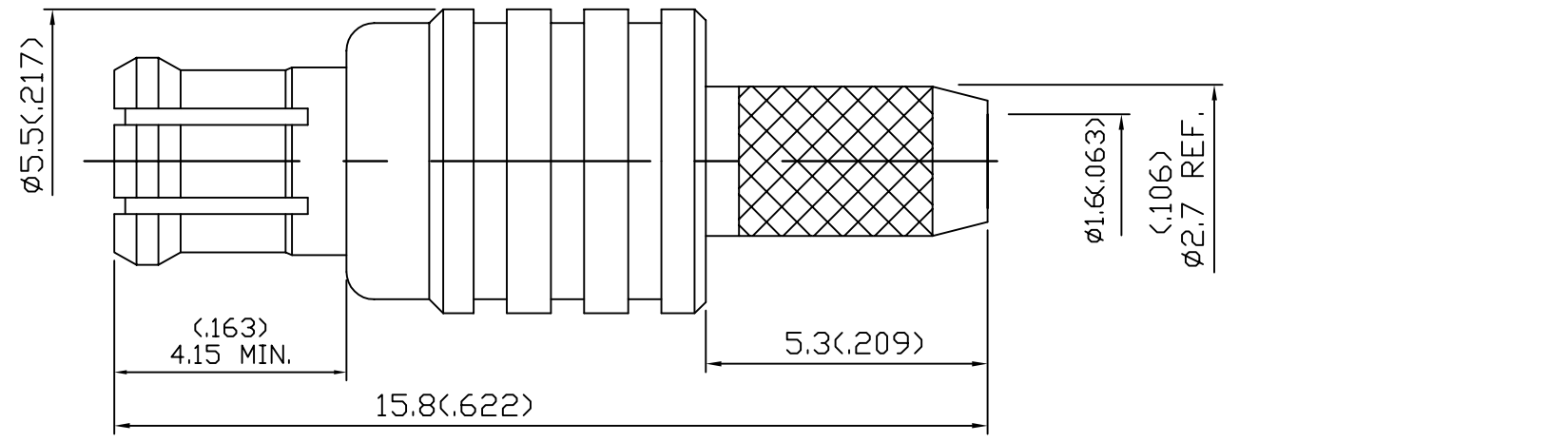


DRAWING REVISIONS			
REV	DOCUMENT	APP	DATE
2	PRELIM.		



NOTES:
1. SPECIFICATIONS:
MATERIALS:

BODY, FERRULE : BRASS
 PLATING: GOLD 3 MICRO INCHES MIN.
 FERRULE : BRASS
 PLATING: GOLD FLASH MIN.
 CENTER CONTACT: BRASS
 PLATING: GOLD 30 MICRO INCHES MIN.
 INSULATOR: TEFLON +PE
 CHASSIS: Be Cu
 PLATING: GOLD 3 MICRO INCHES MIN.

ELECTRICAL

IMPEDANCE: 50 Ohms
 FREQUENCY RANGE: 0 TO 6 GHz
 WORKING VOLTAGE: <= 335 V rms @ SEA LEVEL
 INSULATION RESISTANCE: >= 1000 MOhms
 CONTACT RESISTANCE:
 CENTER CONTACT: 5 MILLI Ohms MAX.
 OUTER CONTACT: 1 MILLI Ohms MAX.

MECHANICAL:

DURABILITY: 500 MATING CYCLES.
 OPERATING TEMPERATURE: -65°C TO 125°C.
 CONNECTOR INTERFACE PER CECC 22220

2. ALL DIMENSIONS ARE IN MM AND DIMENSIONS IN () ARE IN INCHES.

CINCH PART NO.	CINCH CATALOG NO.
299 98 03 003	MCX50-4101

UNITS	METRIC	AUTOCAD	Cinch		1700 FINLEY RD LOMBARD, IL. 60148
DO NOT SCALE DRAWING	DRAWN BY A.BALI	DATE 07/08/03	TITLE MCX PLUG/STRA CABLE(RG-174U) MOUNT, 50 Ohms		
UNLESS OTHERWISE SPECIFIED: DIMENSIONS ARE IN MILLIMETERS	DESIGN ENGINEER A.BALI	07/08/03	MATERIAL SEE NOTE		CONTROL SPEC NUMBER
FILLET/RADIUS 0.50 MAX.	DESIGN ENGINEERING MGR.		MATERIAL SPEC NUMBER	FINISH SEE NOTE	PROJECT NUMBER C14526
TOLERANCES AND LIMITS APPLY OVER ADDITIVE FINISH	MFG. ENGINEERING		CAD FILE NUMBER MCX50-4101	DRAWING NUMBER MCX50-4101	
THIS DOCUMENT IS THE PROPERTY OF CINCH. NEITHER THIS DOCUMENT NOR ANY OF THE INFORMATION CONTAINED IN IT MAY BE DUPLICATED OR DISCLOSED WITHOUT PRIOR WRITTEN CONSENT OF CINCH.	QUALITY ASSURANCE		CAGE IDENT NO. 71785	SIZE B	SCALE NTS
					SHEET 1 OF 1