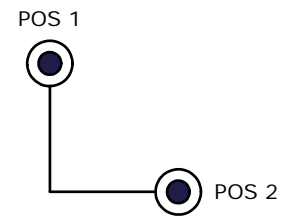


RECOMMENDED PANEL CUTOUT

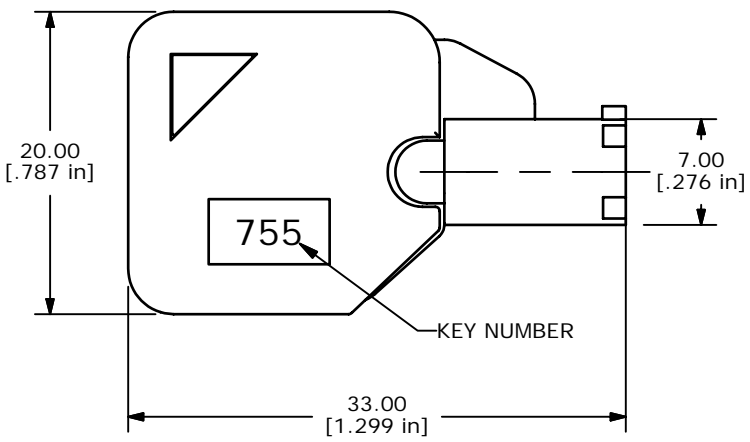


CIRCUIT: SPST
CONTACT CONFIGURATION
90° INDEXING

SWITCH FUNCTION	
POS 1	POS 2
↑	→
OFF	ON

LEGEND

● = INDICATES KEY PULL POSSIBLE



- NOTES:
1. ALL DIMENSIONS IN MM[INCH]
 2. GENERAL TOLERANCE: x.x= ±0.4
x.xx= ±0.25
 3. TERM. NOS. FOR REFERENCE ONLY.
 4. RATING: 1A @125VAC, 0.5A @250VAC
 5. CONTACT RESISTANCE: 10milli-OHMS
 6. DIELECTRIC STRENGTH: 1000 VAC-1Minute
 7. MATERIALS:
HOUSING: ZINC ALLOY W/CHROME PLATING
CYLINDER: ZINC ALLOY W/CHROME PLATING
TERMINAL AND CONTACTS: SILVER PLATED
KEYS (2) KEY CODE 755: ZINC ALLOY, CHROME PLATING



B	16344	FIXED INCORRECT DIMS.	8/18/06	BO
A	15968	NEW PART RELEASE	4/21/06	CT
REV	PCR NO	DESCRIPTION	DATE	BY

TITLE KO133B755				
SCALE	DATE	DR	DWG	REV
2:1	4/21/2006	CT	K400114	B

THE INFORMATION CONTAINED IN THIS DOCUMENT IS PROPRIETARY TO E-SWITCH AND IS NOT TO BE COPIED OR TRANSFERRED