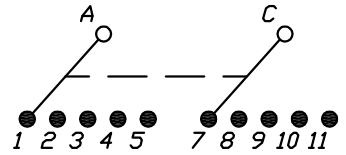
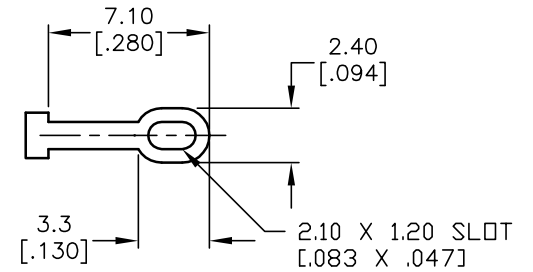


NOTES:

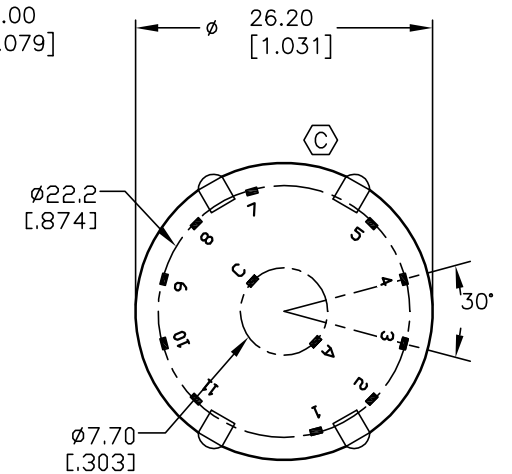
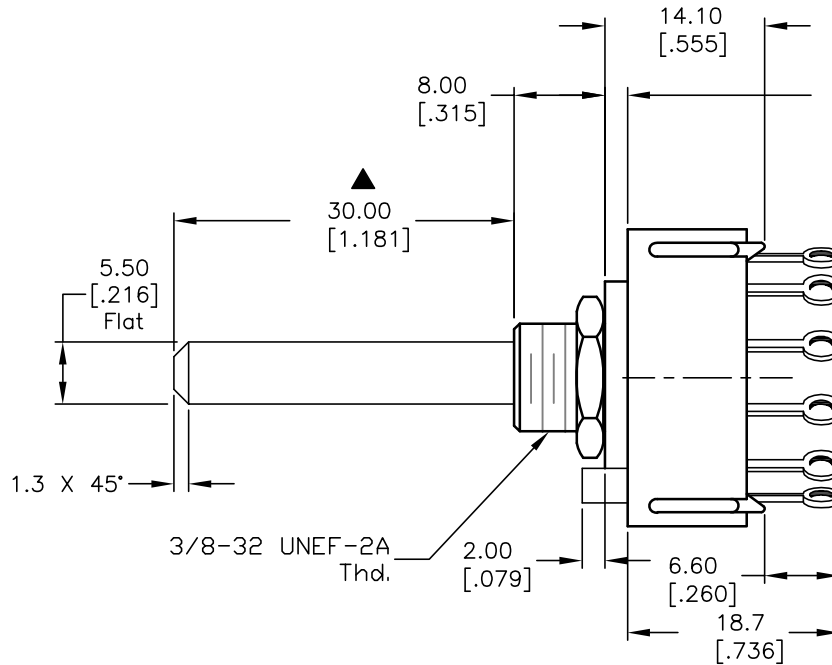
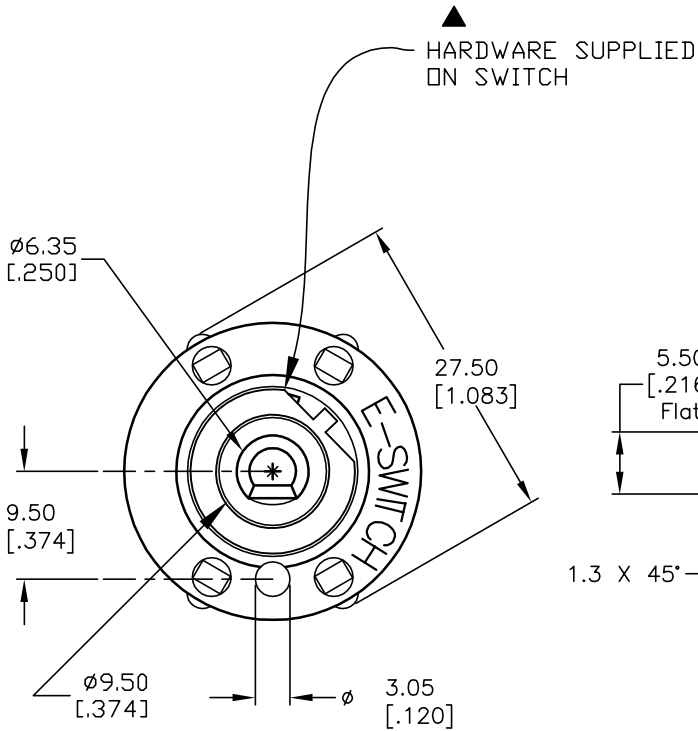
1. ALL DIMENSION IN MM [INCH]
2. GENERAL TOLERANCE: X.X=±0.4
X.XX=±0.25
3. TERM. NOS. FOR REF. ONLY
4. CONTACT RATING SWITCHING: 150mA, 250V AC/DC
350mA, 110V AC/DC
5. OPERATING FORCE: 425±100 CM/STANDARD
6. OPERATING TEMP: -30° to 85°C
7. CIRCUIT DP: 5 POSITIONS, 30° INDEXES.
8. DIELECTRIC STRENGTH: 1000V RMS min.@Sea Level
9. ▲ DESIGNATE MAJOR FEATURE
- ▲ 10. HARDWARE SUPPLIED ON SWITCH— SEE BELOW
LOCKRING, LOCKWASHER, & HEX NUT



CONTACT CONFIGURATION
Timing: NON-SHORTING



TERMINATION DETAIL
SCALE 2X



C	14090	CORRECT NUMBER OF POSITIONS	6/12/04	AR
B	14082	CORRECT ACTUATOR LENGTH	6/9/04	AR
A	12990	RELEASED FOR PRODUCTION	4/2/03	AR
REV.	ECN No.	DESCRIPTION	DATE	CHKD

THE INFORMATION CONTAINED IN THIS DOCUMENT IS PROPRIETARY TO E-SWITCH AND IS NOT TO BE COPIED OR TRANSFERRED

E-SWITCH®

TITLE

KC25A30.001NLS

SCALE

1.5:1

DATE

4/2/03

DR

AR

DWG

G510230

REV

C