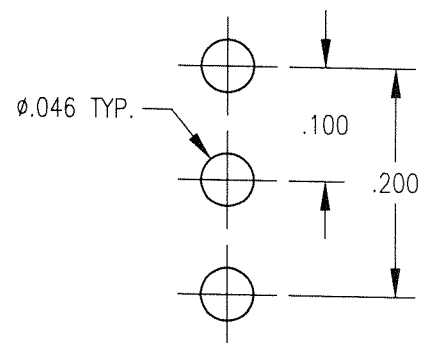
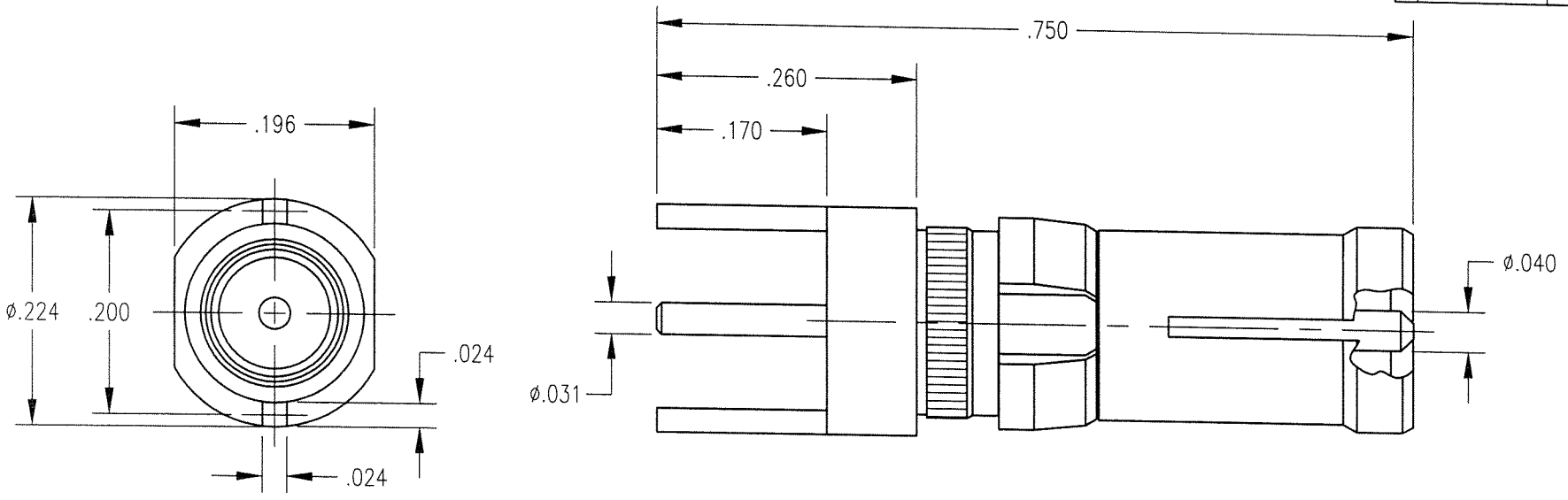


DWG. NO. 311-010-6146A			
REV	DESCRIPTION	BY DATE	APPD
A	ECN 2566	JMC 11/20/00	MJ



MOUNTING HOLES

NOTES:

- MATERIALS:
 BODY: BERYLLIUM COPPER PER ASTM B196
 CONTACT: BRASS PER ASTM B16
 INSULATOR: TEFLON PER ASTM D1710
 CLIP RING: BERYLLIUM COPPER PER ASTM B194
- FINSIH:
 CLIP RING: .000100 MIN. NICKEL PER QQ-N-290 OVER COPPER FLASH
 ALL OTHER METAL PARTS: .000050 MIN. GOLD PER MIL-G-45204 OVER
 .000050 MIN. NICKEL PER QQ-N-290

PER ASME Y14.5M-1994 UNLESS OTHERWISE SPECIFIED: DIMENSIONS ARE IN INCHES (MM)		Litton	
TOLERANCES: DECIMALS .XX ± .01/0.254 .XXX ± .005/0.127 ANGLES ± 2°		Winchester/Retconn 400 Park Road Watertown, Connecticut 06795	
CUSTOMER DRAWING		TITLE	
DRAWN KJT 8/26/98		KNURLED 31 SERIES RECEPTACLE	
CHECKED JED 8/26/98		SHT. OF REV 1 1 A	
APPROVED JMC 8/26/98		DATE 8/26/98	
		A 311-010-6146A	