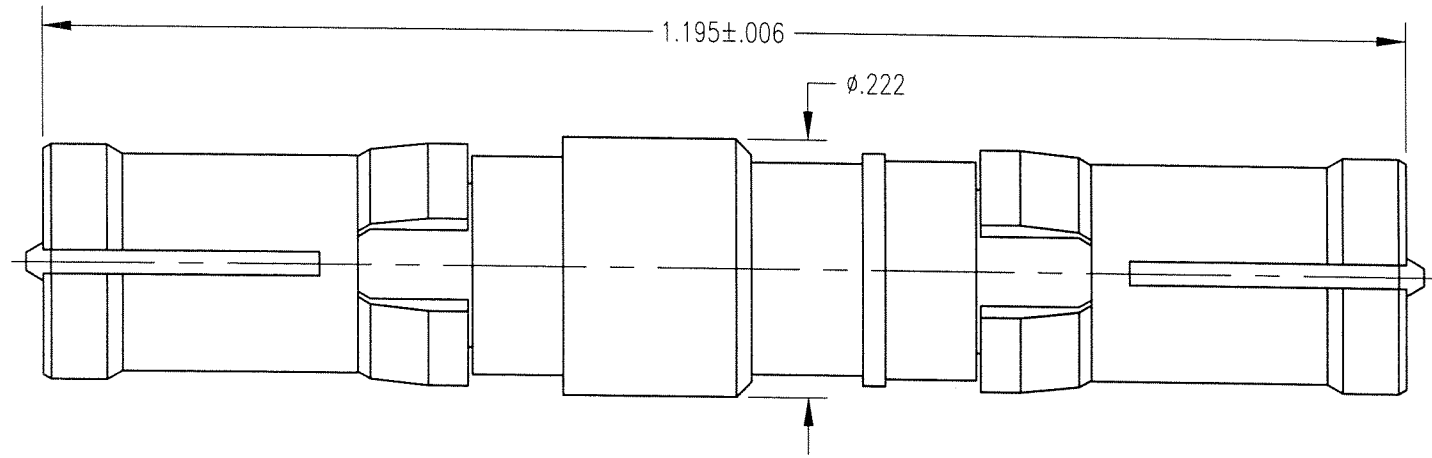


DWG. NO. 201-201-0000G

| REV | DESCRIPTION | BY DATE | APPD |
|-----|--------------------------|---------|-------------|
| A | RELEASED PER NPR 2482 | 7/26/01 | [Signature] |



NOTES:

1. MATERIALS:

- BODY: COPPER ALLOY
- CENTER CONTACT: BRASS PER ASTM B16
- CLIP RING: BERYLLIUM COPPER PER ASTM B194
- INSULATOR: TEFLON PER ASTM D1710

2. FINISH:

- CLIP RING: .000100 MIN. NICKEL PER QQ-N-290
OVER COPPER FLASH
- ALL OTHER METAL PARTS: .000030 MIN. GOLD PER MIL-G-45204 OVER
.000050 MIN. NICKEL PER QQ-N-290

| | | | |
|--|-----------------|--|--------------------------|
| PER ASME Y14.5M-1994 UNLESS OTHERWISE SPECIFIED: DIMENSIONS ARE IN INCHES [MM] | | Litton Winchester/Retconn 400 Park Road Waterford, Connecticut 06795 | |
| TOLERANCES: DECIMALS .xx ± .01/0.254 xxx ± .005/0.127 ANGLES ± 2° | | SCALE: 6:1 | |
| CUSTOMER DRAWING | | TITLE RDM FEMALE - FEMALE ADAPTER | |
| DRAWN JED | DATE 7/26/01 | CHECKED [Signature] | DATE 7/26/01 |
| APPROVED [Signature] | DATE 7/26/01 | APPROVED [Signature] | DATE 7/26/01 |
| A | | 201-201-0000G | SHT. OF REV. 1 OF 1 A |