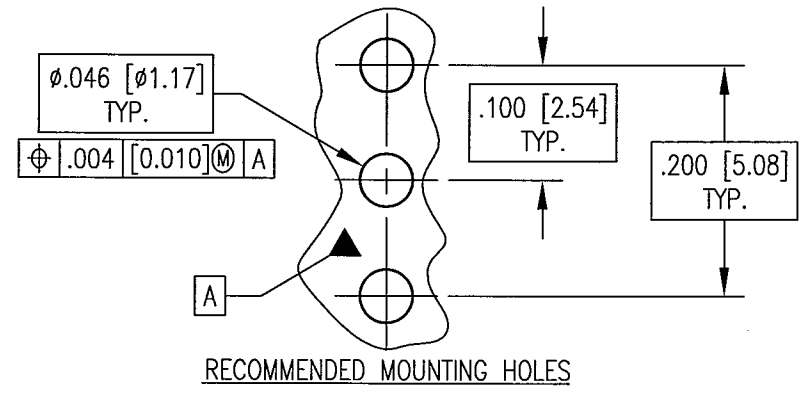
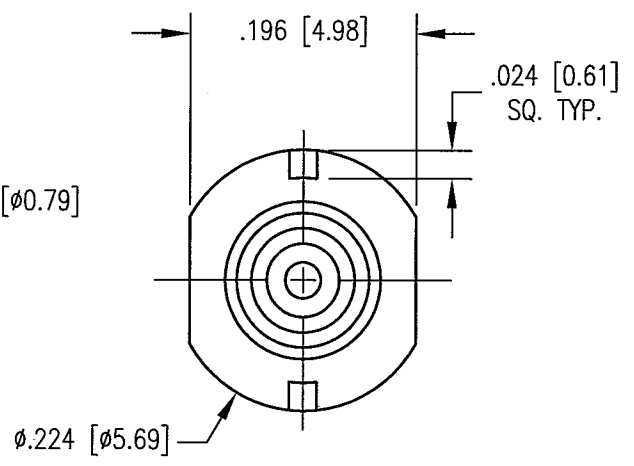
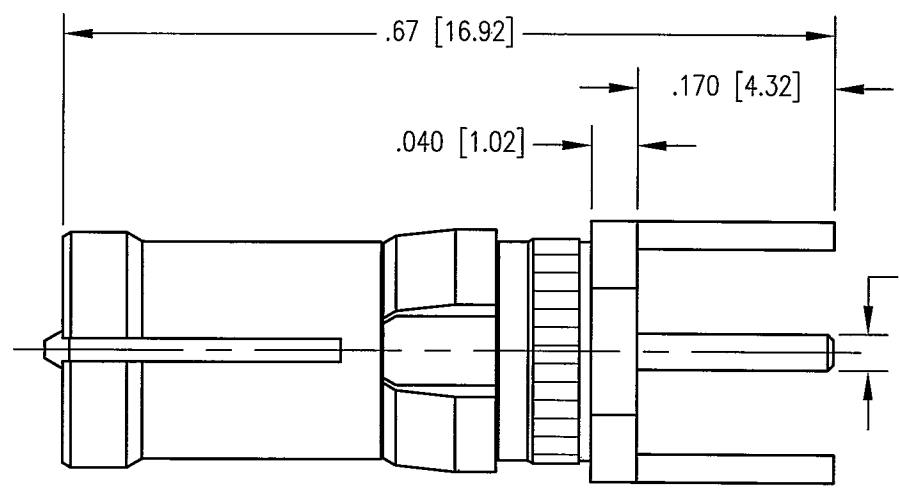


DWG. NO.		201-010-6142G	
REV	DESCRIPTION	BY DATE	APPD
A	ECR 7436	JWH 8/19/02	JWH



NOTES:

- MATERIALS:  
 BODY: COPPER ALLOY  
 CENTER CONTACT: BRASS PER ASTM B16  
 CLIP RING: BERYLLIUM COPPER PER ASTM B194  
 INSULATOR: TEFLON PER ASTM D1710
- FINISH:  
 BODY AND CENTER CONTACT: .000030 MIN. GOLD PER MIL-G-45204 OVER  
 .000050 MIN. NICKEL PER QQ-N-390  
 CLIP RING: .000100 MIN. NICKEL PER QQ-N-290 OVER  
 COPPER FLASH

PER ASME Y14.5M-1994 UNLESS OTHERWISE SPECIFIED: DIMENSIONS ARE IN INCHES (MM)		<b>NORTHROP GRUMMAN</b>	
TOLERANCES: DECIMALS .XX ± .01 [0.254] XXX ± .005 [0.127] ANGLES ± 2'		Winchester Electronics 400 Park Road Watertown, CT 06795	
CUSTOMER DRAWING		TITLE RDM P.C. RECEPTACLE	
DRAWN KJT	DATE 3/22/01	CHECKED JWH	DATE 3/26/01
APPROVED JEM	DATE 3/22/01	APPROVED JED	DATE 3/26/01
A		201-010-6142G	SHT. OF REV. 1 1 A