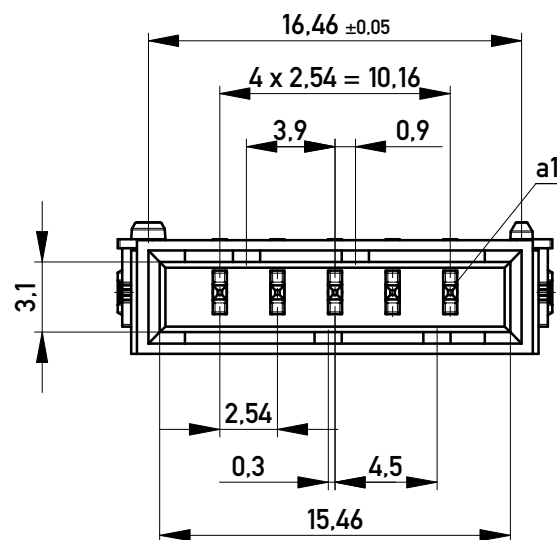
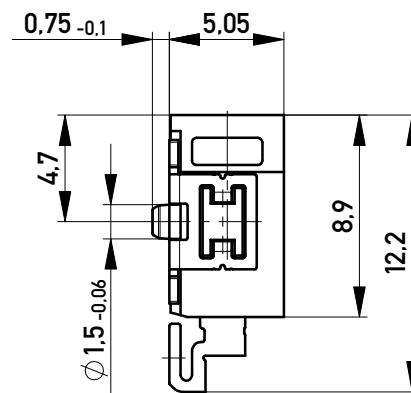
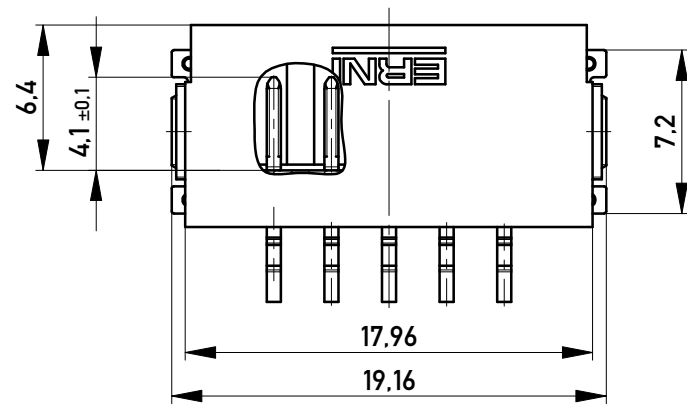
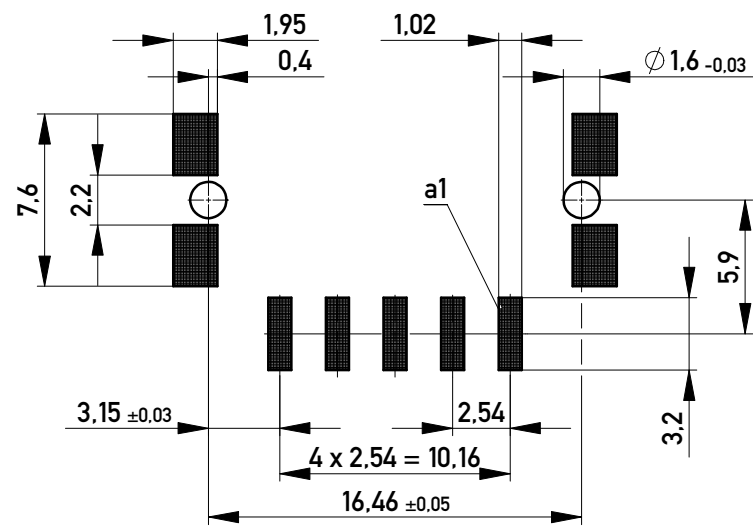


Leiterplatten-Layout Vorschlag für SMT
PCB-Layout Proposal for SMT



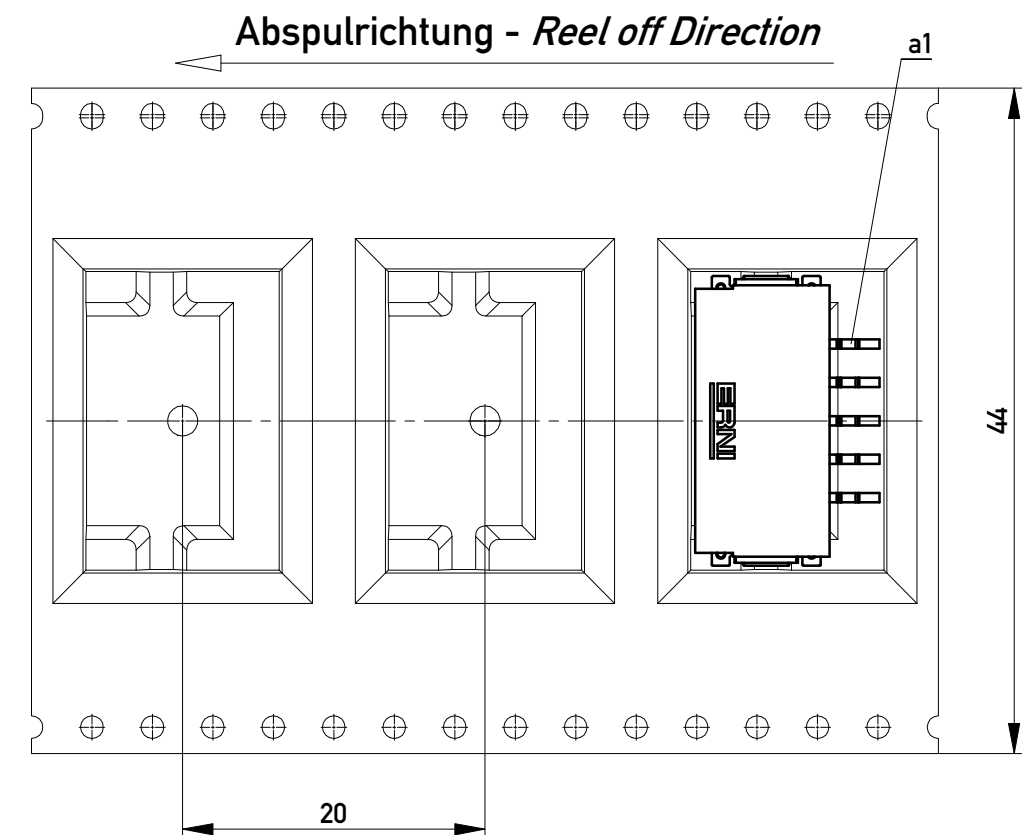
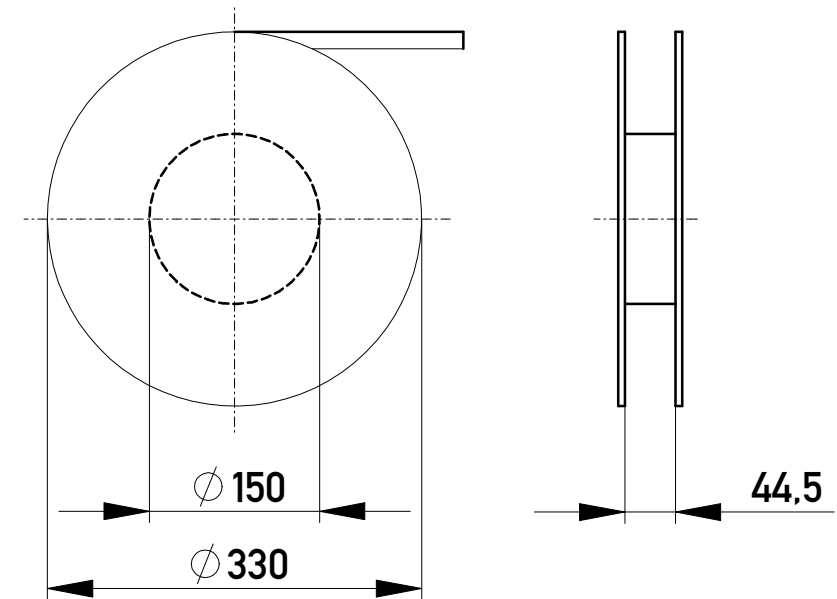
Anforderungsstufe 1
Performance Level 1

Kontaktbereich vergoldet
Mating Area gold plating

Anschlussbereich verzinkt 4-6 µm
Terminal Area 4-6 µm tin plating

Koplanarität der Anschlüsse ≤ 0,1 mm
Coplanarity Area of Termination ≤ 0,1 mm

Verpackt in Gurtverpackung - Tape on Reel Packaging
Verpackungseinheit: 440 Stück - Packaging unit: 440 pcs



Information: Codierung schwarz - coding black		Tolerances	 All Dimensions in mm	Scale	3:1
All rights reserved. Only for Information. To ensure that this is the latest version of this drawing, please contact one of the ERNI companies before using.		Subject to modification without prior notice. Drawing will not be updated.		Designation	
 www.ERNI.com				M 2,54 SRC-A, 5-polig	
d	12.01.2012			100500980001	
Index	Date			Class SRCA	
				K A3	

Copyright by ERNI GmbH
Proprietary notice pursuant to ISO 16016 to be observed.