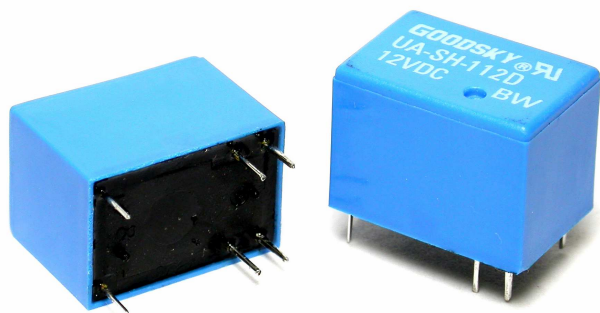


## Main Feature

1. Single Pole Relay UA series designed with medium current load 3A.
2. 2.54mm terminal pitch employment equivalent to I.C. terminal pitch.
3. IC compatibility due to its low power consumption.
4. Three types of contact arrangements available.



## Contact Rating

Load Type	UA (DM/DB)	UA (D)
Rated Load (Resistive)	3A 120VAC	3A 120VAC
	3A 24VDC	3A 24VDC
Rated Carrying Current	3A	3A
Max. Allowable Voltage	AC 120V	AC 120V
	DC 60V	DC 60V
Max. Allowable Current	3A	3A
Max. Allowable Power Force	360VA	360VA
	72W	72W
Min. Switching Load	DC 5V, 10mA	DC 5V, 10mA
Contact Material	Ag Alloy	Ag Alloy
Contact Form	SPST	SPDT

## Application

Telecommunication, Domestic Appliances, Office Machine, Audio Equipment, Camera, etc.

## Performance (at Initial Value)

- Contact Resistance ..... 100mΩ Max. @100mA, 6VDC
- Operate Time..... 8 mSec. Max.
- Release Time ..... 4 mSec. Max.
- Dielectric Strength:  
Between Coil & Contact..... 500VAC at 50/60 Hz for one minute.  
Between Contacts.....500VAC at 50/60 Hz for one minute.
- Surge Strength.....1,000 V (between Coil & Contact 1.2x50μSec.)
- Insulation Resistance.....100 MegaΩ Min. at 500VDC.
- Max. On/Off Switching:  
Electrical ..... 30 Cycles per Minute.  
Mechanical ..... 300 Cycles per Minute.

- Temperature Range..... -25~55°C
- Coil Temperature Rise..... 40°C Max.
- Vibration:  
Endurance ..... 10 to 55 Hz dual amplitude width 1.5mm.  
Error Operation..... 10 to 55 Hz dual amplitude width 1.5mm.
- Shock:  
Endurance ..... 500 m/S<sup>2</sup>.  
Error Operation..... 100 m/S<sup>2</sup>.
- Life Expectancy:  
Mechanical ..... 10<sup>7</sup> Operations at No Load condition.  
Electrical ..... 10<sup>5</sup> Operations at Rated Resistive Load.
- Weight ..... About 3.5 g.

## Safety Standard & File Number

- UL & C-UL ..... E141060
- TÜV ..... R50192493

## Coil Specification (at 20°C)

Coil Sensitivity	Nominal Voltage (VDC)	Nominal Current (mA)	Coil Resistance ( $\Omega \pm 10\%$ )	Power Consumption (W)	Pull-In Voltage (VDC)	Drop-Out Voltage (VDC)	Maximum Allowable Voltage (VDC)
UA - D/DM	3	120	25	Abt. 0.36	75% Maximum	5% Minimum	130%
	5	72.5	69				
	6	60	100				
	9	40	225				
	12	30	400				
	24	15	1,600				

## Ordering Information

UA - SS - 1 12 D M

Contact Form:

Nil: One Form C

M: One Form A

B: One Form B

Coil Type:

D: Standard DC Coil

Coil Voltage:

03: 3V, 05: 5V, 06: 6V, 09: 9V, 12: 12V, 24: 24V

Number of Pole:

1: One Pole

Type of Sealing:

SS: RT II Flux Proofed Relays

SH: RT III Wash Tight Relays

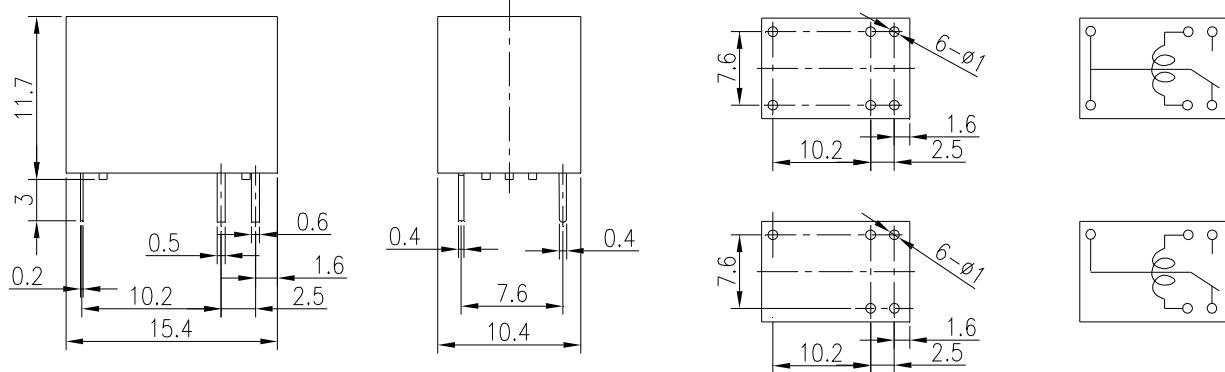
Type:

UA

## Classification

Model	UA		
	1C	1A	1B
Contact Form			
Flow Solder Type	UA-SS-1□□D	UA-SS-1□□DM	UA-SS-1□□DB
Plastic Sealed Type	UA-SH-1□□D	UA-SH-1□□DM	UA-SH-1□□DB

Dimension ( $\leq 5\text{mm} \pm 0.2\text{mm}$ ,  $> 5\text{mm} \pm 0.3\text{mm}$ , the tolerance of PCB thru hole:  $+0.1\text{mm}$ )



P.C.B. Layout

Bottom View

## Reference Data

