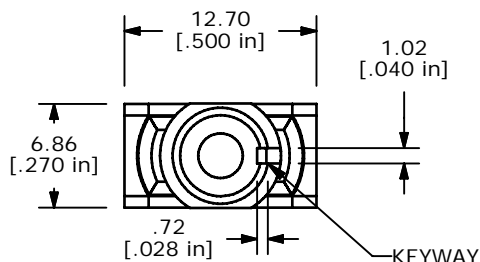
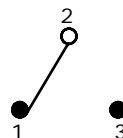


P.C. MOUNTING



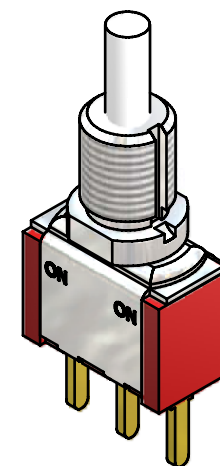
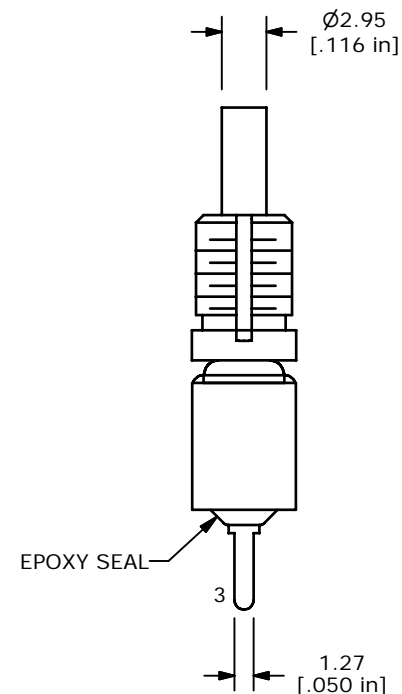
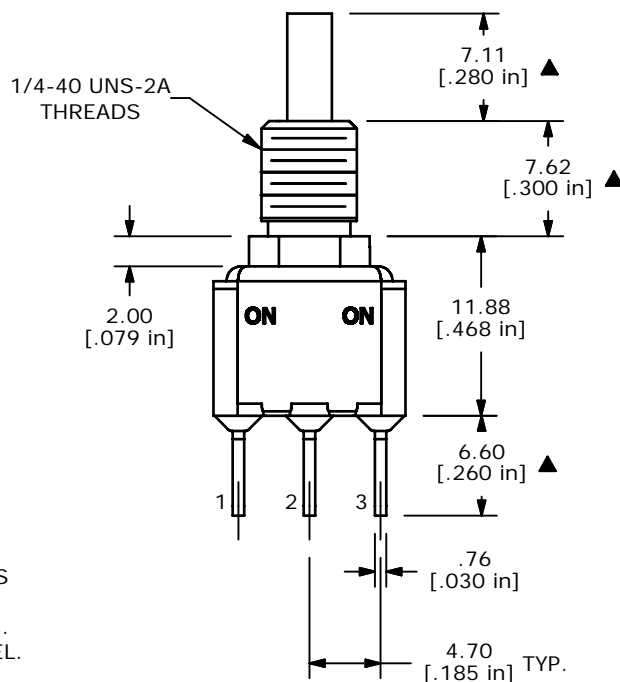
SWITCH FUNCTION	
POS. 1	POS. 2
ON	ON
1-2	2-3



CIRCUIT: SPDT

NOTE:

1. ALL DIMENSIONS IN MM [INCH]
2. GENERAL TOLERANCE: X.X=±0.4  
X.XX=±0.25
3. TERMINAL NUMBERS FOR REF ONLY
- ▲ 4. PLATING MATERIAL: SILVER
5. RATING: 3A @120VAC OR28VDC; 1A @ 250VAC
6. ELECTRIC LIFE: 50,000 MAKE-AND-BREAK CYCLES AT FULL LOAD.
7. INSULATION RESISTANCE: 1,000 MEGA-OHM MIN.
8. DIELECTRIC STRENGTH: 1,000 V RMS @SEA LEVEL.
9. OPERATING TEMP.: -30°C to 85°C
10. ▲ DENOTES CRITICAL PARAMETER.
11. 2002/95/EC (ROHS) COMPLIANT
12. HARDWARE TO BE SHIPPED BULK  
T100011 - LOCK WASHER QTY 1  
T100015 - LOCK RING QTY 1  
T100000 - HEX NUT QTY 2



ISOMETRIC



A	18539	NEW RELEASE	5/20/09	RC
REV	PCR NO	DESCRIPTION	DATE	BY

TITLE 700CSP7B60M2QEH				
SCALE	DATE	DR	DWG	REV
2:1	5/20/2009	RC	ST711079	A

THE INFORMATION CONTAINED IN THIS DOCUMENT IS PROPRIETARY TO E-SWITCH AND IS NOT TO BE COPIED OR TRANSFERRED