

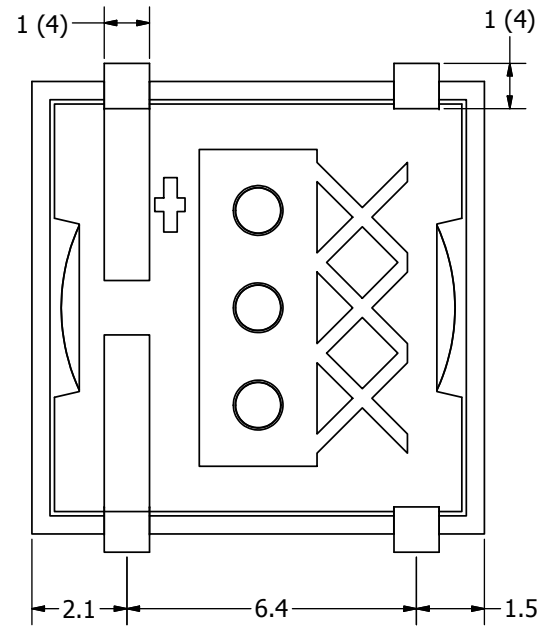
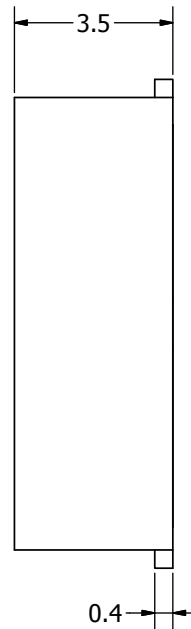
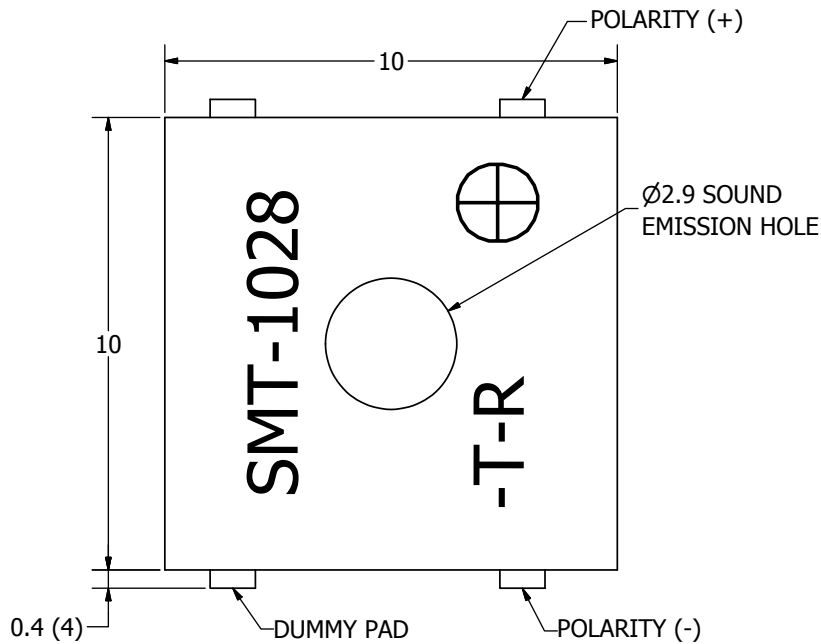
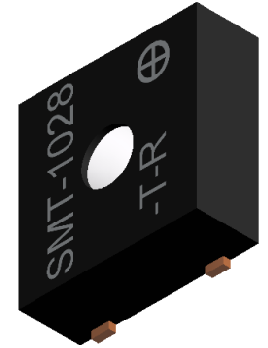
SPECIFICATIONS

| PARAMETERS | VALUES | UNIT |
|-----------------------------|------------------|-------|
| RATED VOLTAGE (SQUARE WAVE) | 3.6 | Vp-p |
| OPERATING VOLTAGE RANGE | 3 ~ 4.6 | Vp-p |
| RATED CURRENT (MAX) | 100 | mA |
| COIL RESISTANCE | 18 ± 5 | OHM |
| MINIMUM SPL @ 10 CM | 90 | dB |
| RESONANT FREQUENCY | 2,830 ± 500 | Hz |
| OPERATING TEMPERATURE | -20 ~ +70 | °C |
| STORAGE TEMPERATURE | -40 ~ +85 | °C |
| HOUSING MATERIAL | PA46 | - |
| TERMINAL MATERIAL | Au PLATED COPPER | - |
| WEIGHT | 1 | grams |

THIS DOCUMENT CONTAINS DATA PROPRIETARY TO PROJECTS UNLIMITED, INC. ANY USE OR REPRODUCTION, IN ANY FORM, WITHOUT PRIOR WRITTEN PERMISSION OF PROJECTS UNLIMITED, INC. IS PROHIBITED.
©2003, Projects Unlimited Inc.

REVISION HISTORY

| LTR | DESCRIPTION | DATE | APPROVED |
|-----|--|-----------|----------|
| - | RELEASED FROM ENGINEERING | 8/30/2005 | |
| A | REVISED TERMINAL MATERIAL | 1/20/2006 | B.R. |
| B | REVISED TO INVENTOR 3-D DRAWING TEMPLATE | 11/6/2007 | B.R. |



NOTES:

1. ALL DIMENSIONS ARE IN MILLIMETERS.
2. SPECIFICATIONS SUBJECT TO CHANGE OR WITHDRAWAL WITHOUT NOTICE.
3. THIS PART IS RoHS 2002/95/EC COMPLIANT.

| UNLESS OTHERWISE SPECIFIED: DIMENSIONS ARE IN MILLIMETERS, TOLERANCES ARE ±0.5 AND ANGLES ARE ±3°. | SIZE A3 | Designed by | Date | Checked by | Date | Approved by | Date | Drawn Date |
|--|-------------------|-------------|-----------|------------|-----------|-----------------------|-----------|------------|
| | | J.A.F. | 8/30/2005 | B.R. | 8/30/2005 | E.P. | 8/30/2005 | 11/7/2007 |
| SMT-1028-T-R.idw | | | | | | <h1>SMT-1028-T-R</h1> | | |
| Transducer (Electro-Mech) | | | | | | Edition | Sheet | |
| | | | | | | - | 1 / 1 | |