

# BPC-9315-0

15" High Brightness Panel PC with Touch Screen, Core™ 2 Duo, 4 COM, 6 USB, 180W ATX P/S

Panel PC



Open Frame Type

## Features

- » Aluminum front panel design
- » 15" high brightness panel display w/touch screen
- » Supports Intel® Core™ 2 Duo processor TDP ≤ 25W
- » VGA, DVI, HDMI, dual Gigabit Ethernet, Audio port
- » 1 x 2.5" SATA HDD space
- » 4 x COM port, 6 x USB2.0 port
- » 180W ATX power supply
- » 2 x 4cm ball bearing cooling fan
- » Option for Wireless LAN module
- » Option for open frame type

## System

### LCD

Size: 15"  
Max. Resolution: 1024 x 768 pixels  
Brightness: 800 cd/m<sup>2</sup>  
Contrast Ratio: 1300:1  
Max. Color: 16.7M colors  
Pixel Pitch: 0.297 x 0.297 mm

### Touch Screen

15" resistive

### SBC

HS-1755A

### CPU

Intel® Core™ 2 Duo processor P7350 2.0GHz (option)

### System Chipset

Intel® GM45/ICH9-M

### System Memory

2 x 200-pin SO-DIMM, DDR2 800/667MHz, Max. 4GB

### Display Interface:

1 x D-SUB 15-pin  
1 x DVI  
1 x HDMI

### Audio Interface

Audio jack for MIC In, Line Out, Line In

### Ethernet Interface

2 x RJ-45 for Gigabit Ethernet  
1 x USB wireless LAN module (option)

### Storage

1 x 2.5" SATA HDD space

### Watchdog Timer

Software programmable time-out intervals from  
1~255 sec. or 1~255min.

### H/W Status Monitor

Monitoring temperatures, voltages, and cooling fan status

### Thermal System

2 x 4cm ball bearing cooling fan

### Power

180W ATX power supply

### Operating/Storage Temperature

0~50°C/-20~+70°C

### Certification

FCC/CE Class A compliance  
IP65 front panel protection compliance

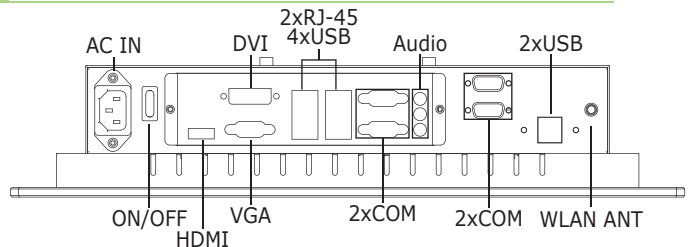
### Dimensions

41.5(L) x 32.0(H) x 8.1(W) cm

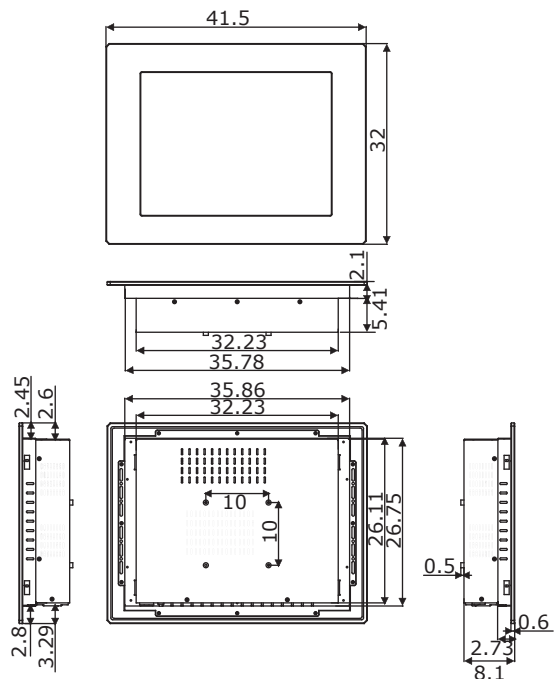
### Cut Out Size

36.3(L) x 27.2(H) cm

## I/O Interface



## Dimensions (unit:cm)



## Ordering Information

### BPC-9315-0

15" High Brightness Panel PC w/Touch Screen,  
4 COM, 6 USB, 180W ATX P/S

### OPC-9315-0

15" Open Frame High Brightness Panel PC w/Touch  
Screen, 4 COM, 6 USB, 180W ATX P/S

### Accessory Options

Table Top Metal Stand, CPU, Memory Module,  
Wireless LAN Module, 2.5" SATA HDD