

**Single Port MagJack®**

**Harmonica MagJack®**

**Stacked MagJack®**

**USB Combo MagJack®**

**Compressor MagJack®**



## Applications

- 10/100BT
- 10/100BT AutoMDIX
- 1GBT (10/100/1000BT) & 10GBT
- Power over Ethernet (PoE) & PoE Plus
- Extended temperature range of -40° to +85° C
- RoHS compliant, soldering = 260° C for 10 seconds



MagJack's combo devices provide a mix of RJ45 and USB connectors for greater design flexibility.



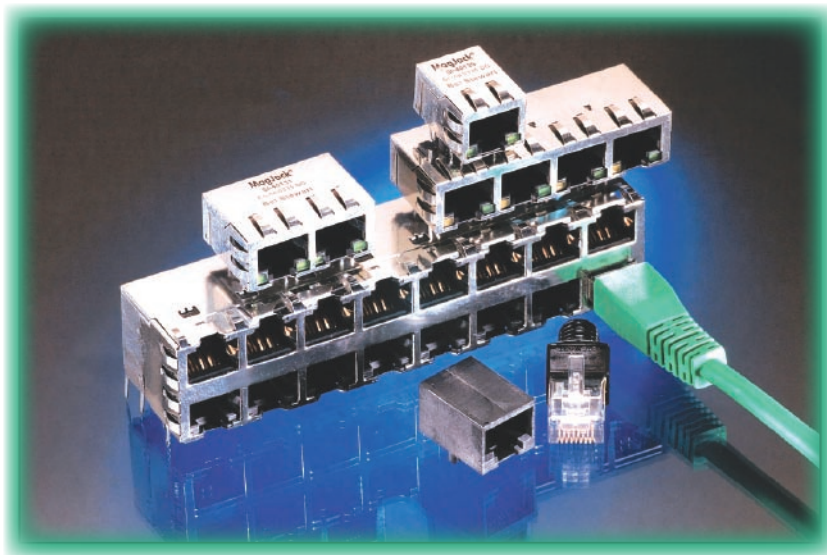
## Markets

### Networking equipment

- Hubs
- Switches
- Routers
- PCs
- Servers
- Workstations
- Motherboards

### Equipment utilizing a network port


- NICs
- Servers
- PCs
- Consumer Devices

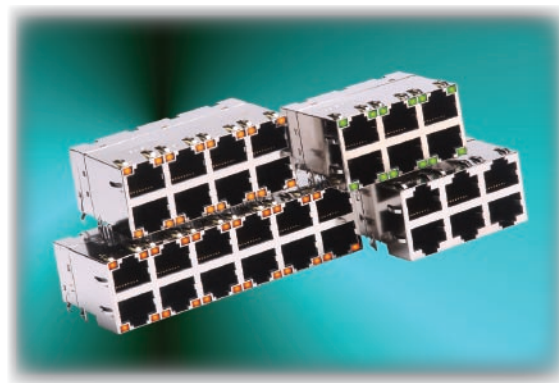


The MagJack® brand is a comprehensive portfolio of integrated devices that combine Bel's connectors and magnetics to provide the signal conditioning, EMI suppression and signal isolation previously performed by multiple (7+), discrete components. Each MagJack employed reduces PCB real estate use by more than 50% per RJ port.

## Mechanical Options

### Single Port Designs

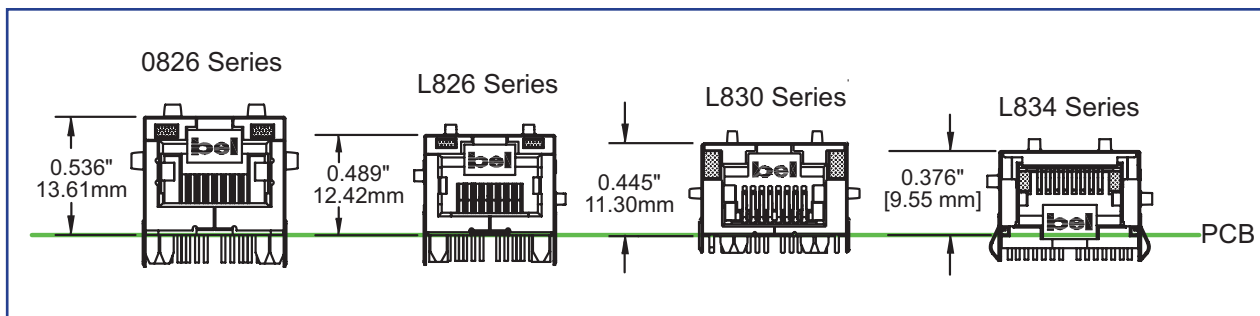
- Plug tab up and plug tab down
- With or without LEDs  and bi-color
- RJ45 and USB port combinations
- Vertical mount packaging
- Low profile versions under 0.50" height
- Micro height versions under 0.45" height
- Mid-plane mount versions under 0.40" height



Optimized for 1U Advanced TCA rack applications, Compressor MagJack breaks the 1" height barrier with its two-tier, 0.785" (19.94mm) height package.

### Multi-Port Designs

- With or without LEDs  and bi-color
- Multi-port configurations: 2x1 / 2x3 / 2x4 / 2x6 / 2x8
- Two-tier stacked designs under 0.785" height



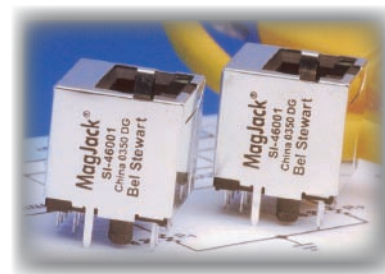
MagJack's mechanical evolution continues to provide more efficient space utilization with ultra-low profile packages and mid-plane mount versions.

## Electrical Options

- IR reflow compatible, 230° C for 90 seconds
- Surge protection for GR1089 intra-building and ESD
- Extended temperature range -40° to +85° C



Vertical-mount MagJack is optimized for space-critical devices such as SBCs (single-board computers), motherboards, daughter cards, NICs (network interface cards), switches, hubs, and bridges. Applications include industrial PCs, printers, VoIP phones, remote sensor and transducer devices, security camera equipment, and wireless systems.







**COMPONENTS FOR A  
CONNECTED  
PLANET®**

# MagJack® Product Guide



## About Bel

Bel ([www.belfuse.com](http://www.belfuse.com)) and its subsidiaries are primarily engaged in the design, manufacture and sale of products used in networking, telecommunications, high speed data transmission, and consumer electronics. Products include magnetics (discrete components, power transformers and MagJack® integrated connectors), modules (DC-DC converters, integrated analog front end modules and custom designs), circuit protection (miniature, micro and surface mount fuses) and interconnect devices (passive jacks, plugs and cable assemblies). Bel operates facilities around the world.

### Bel Fuse Inc.

206 Van Vorst Street  
Jersey City, NJ 07302  
Tel 201-432-0463  
Fax 201-432-9542  
[www.belfuse.com](http://www.belfuse.com)

### Bel Fuse (Macao Commercial Offshore) Ltd.

Rua De Xangai No. 175  
Edificio Da Associacao Commercial De Macau  
13 Andar H-K  
Macao  
Tel 853-2870-6137  
Fax 853-2870-7483  
[www.belfuse.com](http://www.belfuse.com)

### Bel Fuse Ltd.

8F/8 Luk Hop Street  
San Po Kong  
Kowloon, Hong Kong  
Tel 852-2328-5515  
Fax 852-2352-3706  
[www.belfuse.com](http://www.belfuse.com)

### Bel Stewart Connector

11118 Susquehanna Trail South  
Glen Rock, PA 17327  
Tel 717-235-7512  
Fax 717-235-7954  
[www.belstewart.com](http://www.belstewart.com)

### Bel Stewart Connector GmbH

Industriestrasse 20, D-61381  
Friedrichsdorf, Germany  
Tel 49-6172-9552-0  
Fax 49-6172-9552-40  
[www.belstewart.com](http://www.belstewart.com)

### Bel Fuse Europe Ltd.

Preston Technology Mgmt Centre  
Marsh Lane, Suite G, Preston  
Lancashire, PR1 8UQ UK  
Tel 44-1772-556601  
Fax 44-1772-888366  
[www.belstewart.com](http://www.belstewart.com)