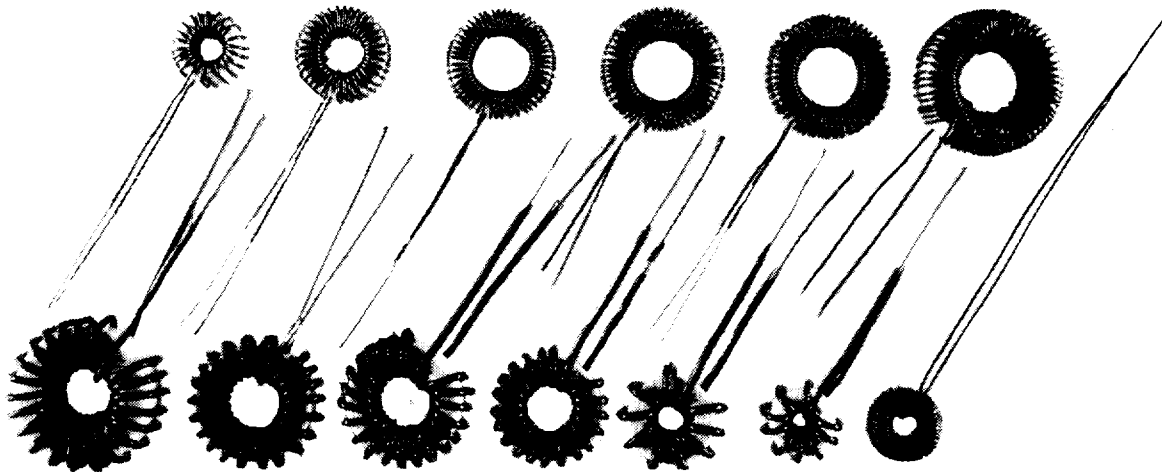


RFI Filter Inductors



Standard Filter Inductors

RFI INDUCTORS

Open Type

For Commercial Applications

Can be PC Mounted

Can also be supplied upon request

— Impregnated —

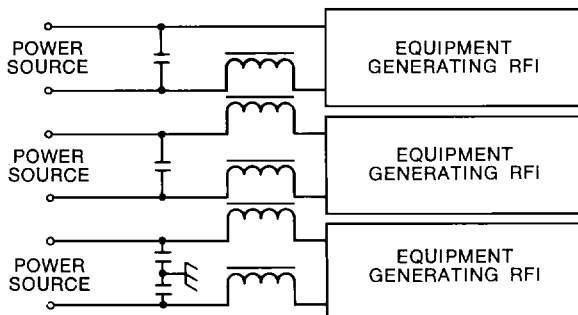
— Packaged to MIL-C-15305 —

PHYSICAL SPECIFICATIONS

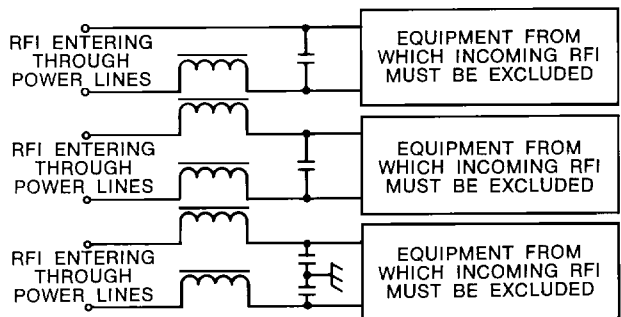
Core No.	OD Max.	ID Min.	Ht. Max.
M50	.650	.085	.450
M68	.875	.140	.470
M80	.970	.310	.420
M90	1.080	.340	.460
M106	1.220	.310	.590

Leads = 2 inches long-stripped and tinned $\frac{3}{8}$ " typical.

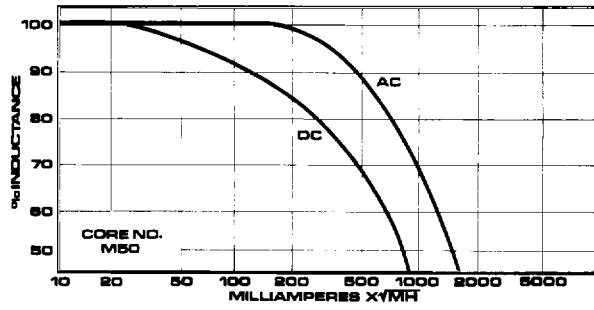
SUPPRESSION OF RFI



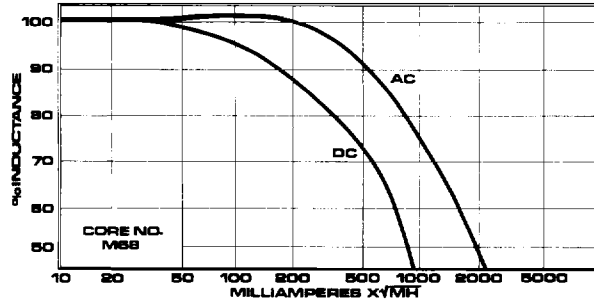
ABSORPTION OF INCOMING RFI



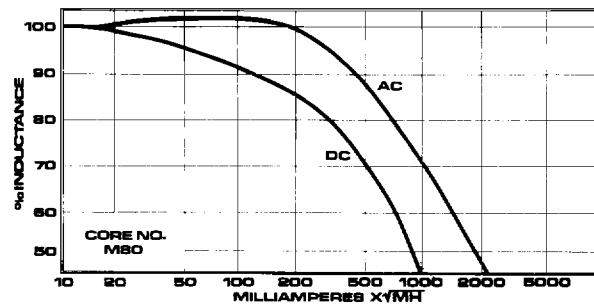
385 HIGHWAY 33, ENGLISHTOWN, NJ 07726
908/446-3110 FAX 908/446-5362



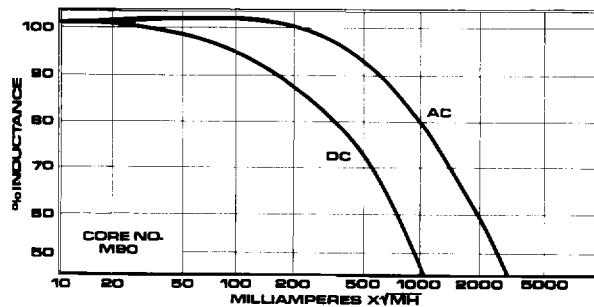
EWC No.	L Min. μ h	DC Resistance Ω Max.	Wire AWG
LUN-M50-10 μ h	10	.010	#18
LUN-M50-12 μ h	12	.013	#19
LUN-M50-15 μ h	15	.017	#20
LUN-M50-18 μ h	18	.023	#21
LUN-M50-25 μ h	25	.032	#22



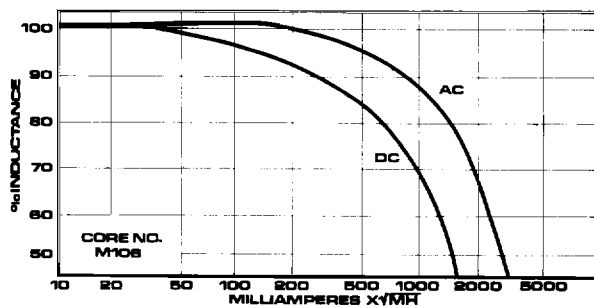
EWC No.	L Min. μ h	DC Resistance Ω Max.	Wire AWG
LUN-M68-15 μ h	15	.010	#17
LUN-M68-21 μ h	21	.014	#18
LUN-M68-28 μ h	28	.019	#19
LUN-M68-39 μ h	39	.027	#20
LUN-M68-55 μ h	55	.038	#21
LUN-M68-70 μ h	70	.054	#22



EWC No.	L Min. μ h	DC Resistance Ω Max.	Wire AWG
LUN-M80-29 μ h	29	.012	#16
LUN-M80-37 μ h	37	.016	#17
LUN-M80-47 μ h	47	.021	#18
LUN-M80-60 μ h	60	.028	#19
LUN-M80-77 μ h	77	.040	#20
LUN-M80-97 μ h	97	.057	#21
LUN-M80-123 μ h	123	.079	#22



EWC No.	L Min. μ h	DC Resistance Ω Max.	Wire AWG
LUN-M90-26 μ h	26	.007	#14
LUN-M90-34 μ h	34	.010	#15
LUN-M90-43 μ h	43	.013	#16
LUN-M90-56 μ h	56	.019	#17
LUN-M90-71 μ h	71	.025	#18
LUN-M90-92 μ h	92	.034	#19
LUN-M90-116 μ h	116	.047	#20
LUN-M90-143 μ h	143	.065	#21
LUN-M90-198 μ h	198	.090	#22



EWC No.	L Min. μ h	DC Resistance Ω Max.	Wire AWG
LUN-M106-47 μ h	47	.011	#14
LUN-M106-66 μ h	66	.015	#15
LUN-M106-89 μ h	89	.020	#16
LUN-M106-114 μ h	114	.026	#17
LUN-M106-142 μ h	142	.035	#18
LUN-M106-183 μ h	183	.049	#19
LUN-M106-228 μ h	228	.070	#20
LUN-M106-299 μ h	299	.100	#21
LUN-M106-405 μ h	405	.145	#22