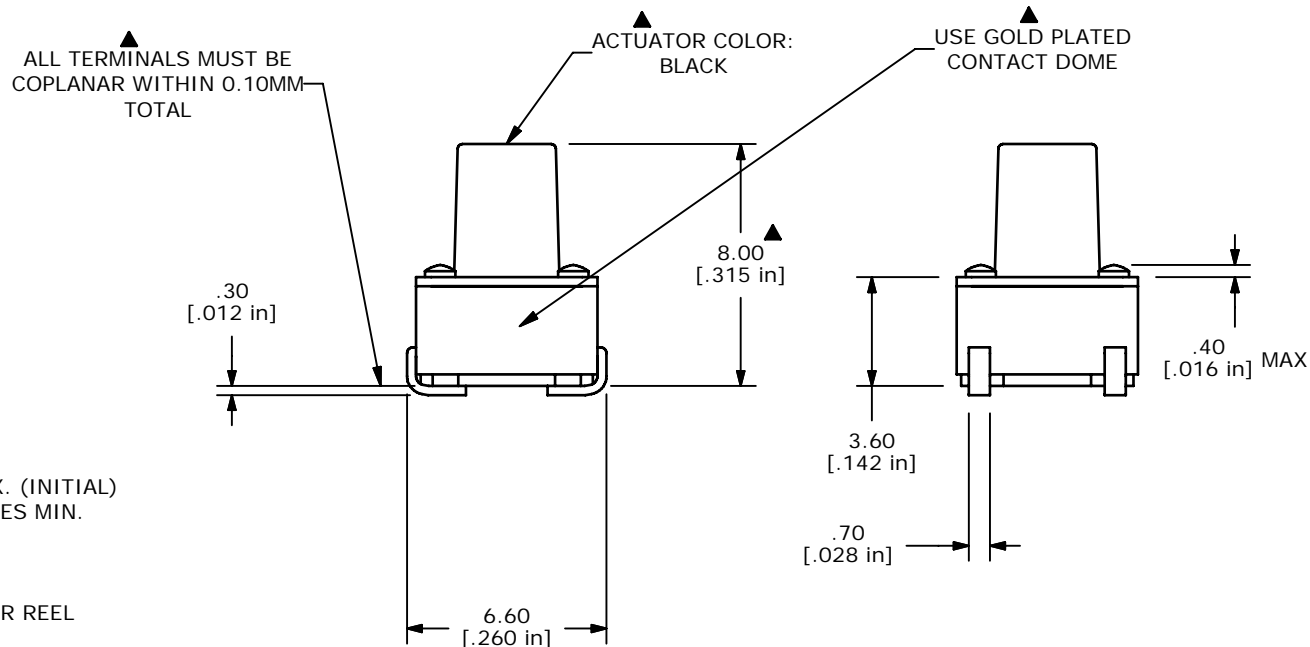
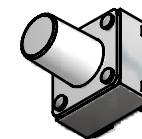
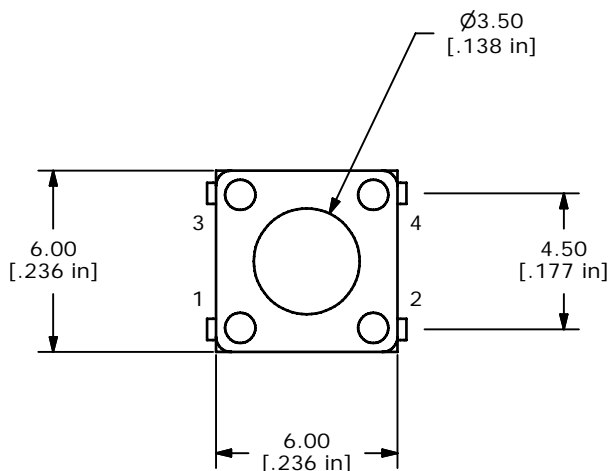


▲ CIRCUIT: SPST

- NOTES:
1. ALL DIMENSIONS IN MM
  2. GENERAL TOLERANCE: X.X=±0.4  
X.XX=±0.25
  3. TERM. NOS. FOR REFERENCE ONLY.
  4. RATING: 12VDC, 50mA
  5. OPERATING FORCE: 160 ± 50 gms
  6. TRAVEL: 0.25mm ±0.1
  7. CONTACT RESISTANCE: 100 MILLI OHMS MAX. (INITIAL)
  8. MECHANICAL/ELECTRICAL LIFE 100,000 CYCLES MIN.
  - ▲ 9. GOLD CONTACTS
  10. ▲ DENOTES CRITICAL PARAMETER
  11. 2002/95/EC (ROHS) COMPLIANT.
  12. PACKAGING: TAPE AND REEL, 700 PIECES PER REEL



TITLE TL3301CF160RJ				
SCALE	DATE 9/28/2012	DR rc	DWG J100590	REV A

A	20789	NEW RELEASE	9/28/12	rc
REV	PCR NO	DESCRIPTION	DATE	BY

THE INFORMATION CONTAINED IN THIS DOCUMENT IS PROPRIETARY TO E-SWITCH AND IS NOT TO BE COPIED OR TRANSFERRED