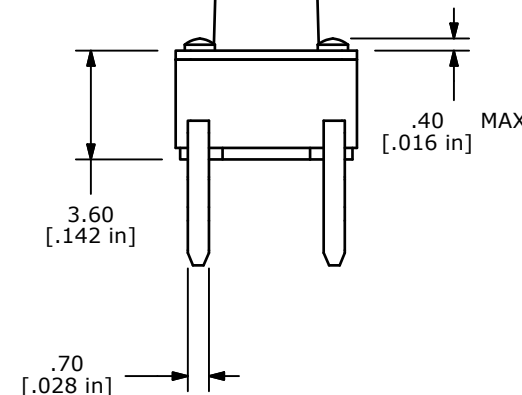
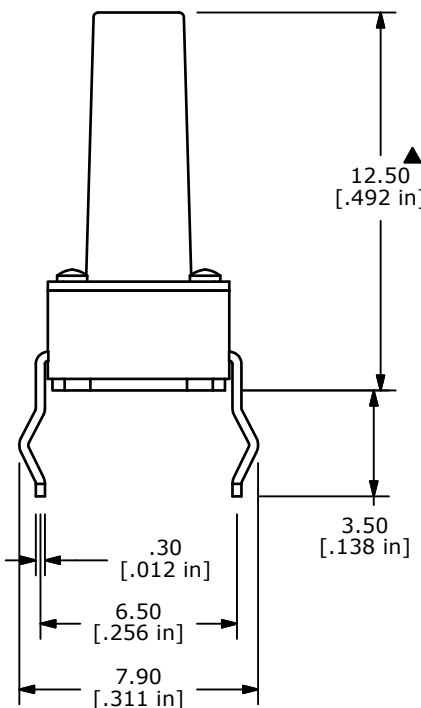


▲ CIRCUIT: SPST

ACTUATOR COLOR:
▲ BLACK

NOTES:

1. ALL DIMENSIONS IN MM
2. GENERAL TOLERANCE: X.X=±0.4
X.XX=±0.25
3. TERM. NOS. FOR REFERENCE ONLY.
4. RATING: 12VDC, 50mA
- ▲ 5. OPERATING FORCE: 160 ± 50 gms
6. TRAVEL: 0.25mm ±0.1
7. CONTACT RESISTANCE: 100 MILLI OHMS MAX. (INITIAL)
8. MECHANICAL/ELECTRICAL LIFE 100,000 CYCLES MIN.
9. SILVER CONTACTS
10. ▲ DENOTES CRITICAL PARAMETER
11. 2002/95/EC (ROHS) COMPLIANT.



TITLE TL1105HF160Q

| | | | | |
|-----|--------|-------------|----------|----|
| A | 21133 | NEW RELEASE | 05/16/13 | rc |
| REV | PCR NO | DESCRIPTION | DATE | BY |

| | | | | |
|-------|-------------------|----------|----------------|----------|
| SCALE | DATE 5/16/2013 | DR rc | DWG J100075 | REV A |
|-------|-------------------|----------|----------------|----------|

THE INFORMATION CONTAINED IN THIS DOCUMENT IS PROPRIETARY TO E-SWITCH AND IS NOT TO BE COPIED OR TRANSFERRED