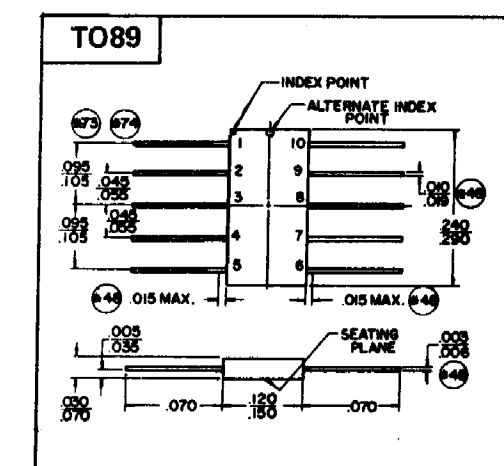
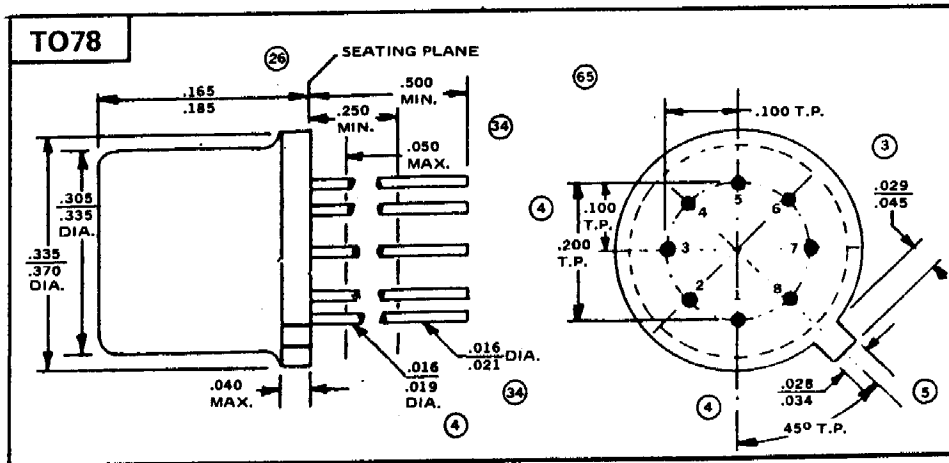


## Transistors

Type	Polarity	Maximum Ratings					Electrical Characteristics @ 25° C (One Side)						Tracking		Package
		Ambient PD		VCB Volts	VCE Volts	VEB Volts	HFE @ IC		VCE(Sat) @ IC/IB		Matching		$\Delta V_{BE}$ $\Delta T$ -55° C to +125° C in $\mu V/° C$	f <sub>t</sub> MHz Min	
		One Side mW	Both Sides mW				Min/Max	mA	Volts	mA/mA	HFE %	VBE in mV			
2N3816	PNP	250	350	60	60	5	100/400	0.01	0.20	0.1/0.01	10	3	10	100	TO-89
2N3816A	PNP	250	350	60	60	5	100/400	0.01	0.20	0.1/0.01	5	1.5	5	100	TO-89
2N3817	PNP	250	350	60	60	5	225/700	0.01	0.20	0.1/0.01	10	3	10	100	TO-89
2N3817A	PNP	250	350	60	60	5	225/700	0.01	0.20	0.1/0.01	5	1.5	5	100	TO-89
2N4937	PNP	500	600	50	40	5	40/200	0.1	0.3*	10/1	10	3	10	300	TO-78
2N4938	PNP	500	600	50	40	5	40/200	0.1	0.3*	10/1	20	5	20	300	TO-78
2N4939	PNP	500	600	50	40	5	40/200	0.1	0.3*	10/1	-	-	-	300	TO-78
2N4940	PNP	250	350	50	40	5	40/200	0.1	0.3*	10/1	20	5	20	300	TO-89
2N4941	PNP	250	350	50	40	5	40/200	0.1	0.3*	10/1	10	3	10	300	TO-89
2N4942	PNP	250	350	50	40	5	40/200	0.1	0.3*	10/1	-	-	-	300	TO-89

\*Typical Values



NJ Semi-Conductors reserves the right to change test conditions, parameter limits and package dimensions without notice. Information furnished by NJ Semi-Conductors is believed to be both accurate and reliable at the time of going to press. However NJ Semi-Conductors assumes no responsibility for any errors or omissions discovered in its use. NJ Semi-Conductors encourages customers to verify that datasheets are current before placing orders.

