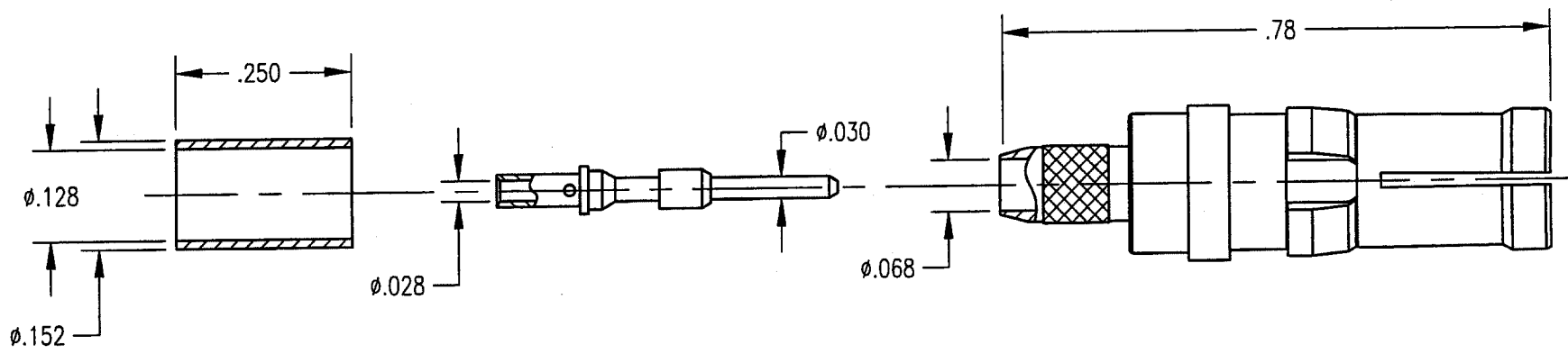
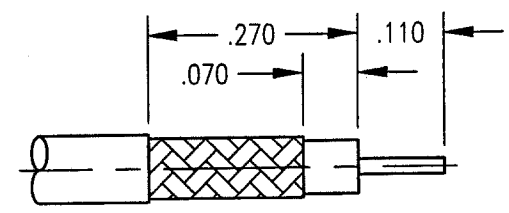


DWG. NO.		291-910-0634F	
REV	DESCRIPTION	BY DATE	APPD
F	ECN 2447	DC/11/00	[Signature]



- NOTES:
1. MATERIALS:
 BODY: BERYLLIUM COPPER PER ASTM B196
 CLIP RING: BERYLLIUM COPPER PER ASTM B194
 CONTACT AND FERRULE: BRASS PER ASTM B16
 INSULATOR: TEFLON PER ASTM D1710
 2. FINISH:
 BODY AND CONTACT: .000030 MIN. GOLD PER MIL-G-45204 OVER
 .000050 MIN. NICKEL PER QQ-N-290
 FERRULE AND CLIP RING: .000100 MIN. NICKEL PER QQ-N-290 OVER
 COPPER FLASH
 3. FOR USE WITH RG-316 OR EQUIVALENT CABLE
 4. FOR CABLING, USE PROCEDURE 9-07
 5. CABLE PULL TEST: 20 LBS. MINIMUM



CABLE TRIMMING DIMENSIONS

PER ASME Y14.5M-1994 UNLESS OTHERWISE SPECIFIED: DIMENSIONS ARE IN INCHES (MM)				Litton				
TOLERANCES: DECIMALS .XX ± .01/0.254 .XXX ± .005/0.127 ANGLES ± 2'				Winchester/Retconn 400 Park Road Waterteen, Connecticut 06795				
CUSTOMER DRAWING		[Symbol]		TITLE RDM-HF RECEPTACLE CAPTIVE CONTACT (CRIMP/CRIMP)				
DRAWN	DATE	CHECKED	DATE	A	291-910-0634F	SHT. 1	OF 1	REV. F
JED	3/5/98	PRP	3/5/98					
APPROVED	DATE	APPROVED	DATE					
JMC	3/5/98	JMC	3/5/98					