

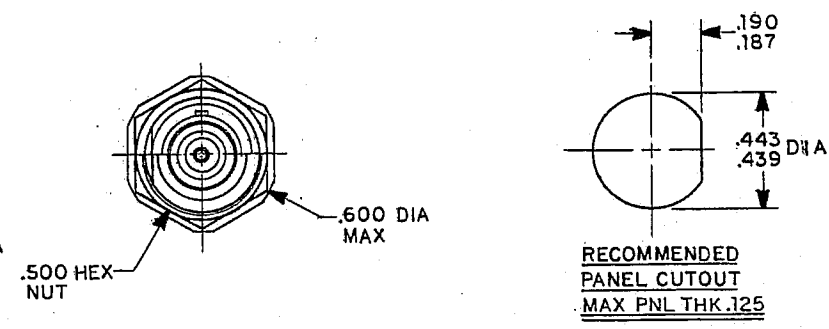
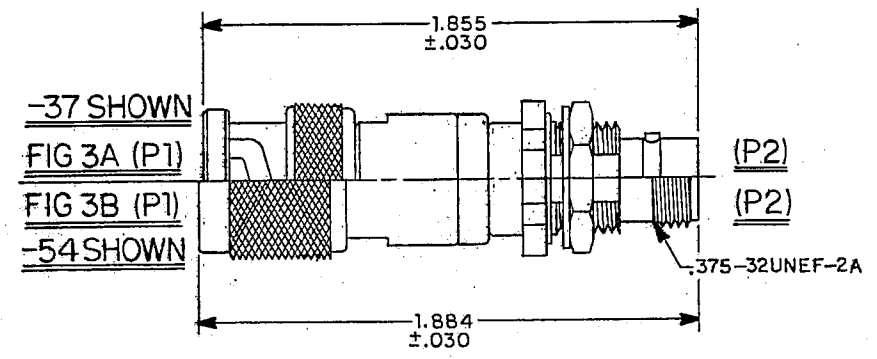
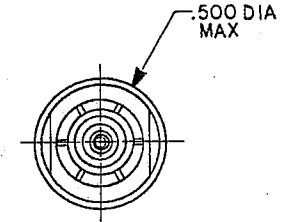
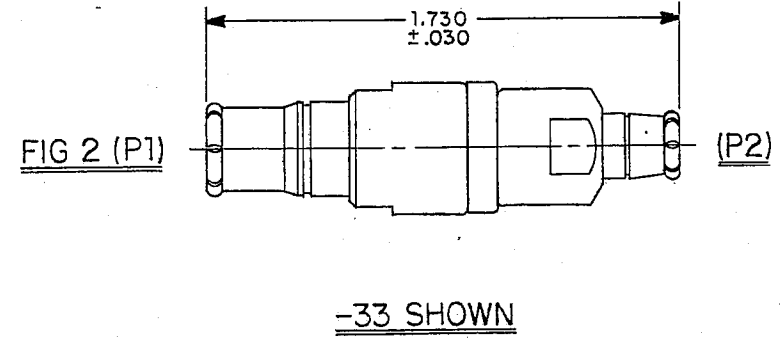
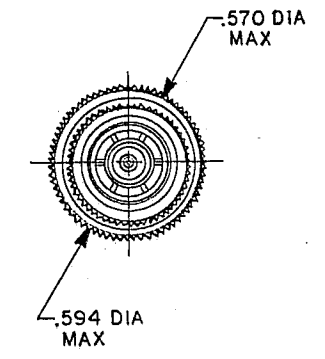
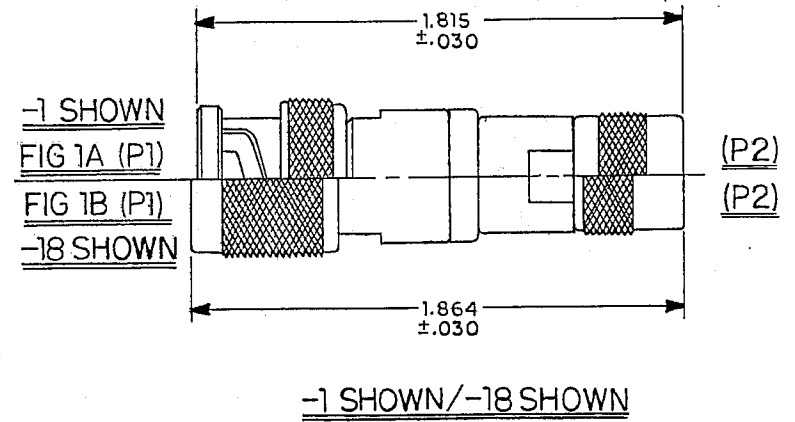
DATA CONTAINED IN THIS DOCUMENT IS PROPRIETARY TO TROMPETER ELECTRONICS INC. AND SHALL NOT BE DISCLOSED, COPIED OR USED FOR PROCUREMENT OR MANUFACTURE WITHOUT EXPRESS WRITTEN PERMISSION.

REVISIONS			12-12	SH 1	
REV	EO	DESCRIPTION	DWN	APPROVED	DATE
A	B337	ADDED NOTE (D), SH 2	DJK	<i>[Signature]</i>	1-3-89

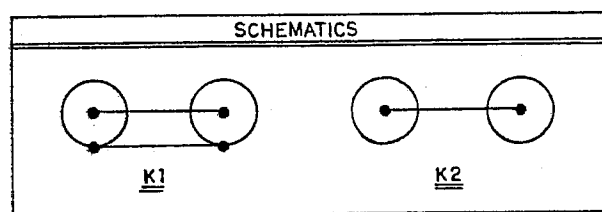
P2 CONN TYPE	FIG NO	P1 CONN TYPE											
		PL20		UPL20		PL40		UPL40		PL123		UPL123	
		SCHEMATICS											
		K1	K2	K1	K2	K1	K2	K1	K2	K1	K2	K1	K2
DASH NUMBERS													
PL50	1A	-1	-2	-3	-4	-5	-6	-7	-8	-9	-10	-11	-12
PL350	1B	-13	-14	-15	-16	-17	-18	-19	-20	-21	-22	-23	-24
PL53	2	-25	-26	-27	-28	-29	-30	-31	-32	-33	-34	-35	-36
BJ59	3A	-37	-38	-39	-40	-41	-42	-43	-44	-45	-46	-47	-48
BJ359	3B	-49	-50	-51	-52	-53	-54	-55	-56	-57	-58	-59	-60
PL50FL	1A	-61	-62	-63	-64	-65	-66	-67	-68	-69	-70	-71	-72
BJ59FL	3A	-73	-74	-75	-76	-77	-78	-79	-80	-81	-82	-83	-84

INCH	MM
.005	0.13
.030	0.76
.187	4.75
.190	4.83
.439	11.15
.443	11.25
.500	12.70
.570	14.48
.594	15.09
.600	15.24
1.730	43.94
1.815	46.10
1.855	47.12
1.864	47.35
1.864	47.85

RED INDICATES ORIGINAL



- EXAMPLE OF COMPLETE MODEL NO:  
AD-PL20-K1-PL50  
ADAPTER (P1) CONN TYPE (P2) CONN TYPE SCHEMATIC
- EXAMPLE OF COMPLETE PART NO:  
12-12-1  
BASIC PART NO DASH NO
- BETWEEN SERIES ADAPTER; 50 Ω 75 OHM BNC/TNC/PUSH-ON PLUG TO 3-LUG, 4-LUG & THREADED TPS/TCM PLUG/BULKHEAD MOUNT JACK
- FINISH: TFS-1A (NICKEL)
- ALL DIM ARE IN INCHES



QTY	DESCRIPTION		PART NUMBER	ITEM
TOL UNLESS SPECIFIED		<b>TROMPETER ELECTRONICS, INC.</b>		
.XX	±	ADAPTERS; MALE BNC/TNC SERIES TO MALE/FEMALE TPS SERIES PLUG/BULK-HEAD MOUNT JACKS		
.XXX	±	DRAWING NO. 12-12		
.XXXX	±	REV A		
ANGLES	±	SCALE 2/1		
DWN	JDG	4-7-86	MATERIAL	CODE IDENT 14949
CHK	De	4-23-86	DATE	5-6-86
ENGR	Jh	5-2-86	SHEET	1 OF 2
APPR	AT	5-6-86	NEXT ASSY	