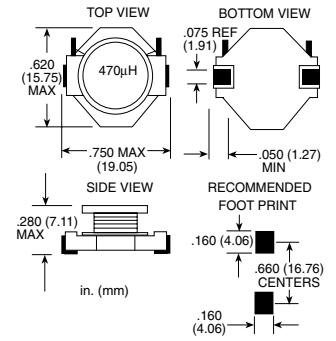


SMP5022 Power Inductors



PART NUMBER	L µH ±20% @ 100 kHz	DCR MAX	SATURATION CURRENT* DC AMPS	CURRENT RATING** DC AMPS
SMP5022-101M	1.0	.009	20	8.6
SMP5022-221M	2.2	.014	19	7.1
SMP5022-331M	3.3	.015	17	6.2
SMP5022-561M	5.6	.020	15	5.3
SMP5022-102M	10	.031	12	4.3
SMP5022-152M	15	.036	9.7	4.0
SMP5022-222M	22	.047	7.8	3.5
SMP5022-332M	33	.066	6.5	3.0
SMP5022-472M	47	.086	5.6	2.6
SMP5022-682M	68	.130	4.5	2.3
SMP5022-103M	100	.19	3.6	1.8
SMP5022-153M	150	.25	3.0	1.5
SMP5022-223M	220	.38	2.5	1.2
SMP5022-333M	330	.56	2.1	1.0
SMP5022-473M	470	.85	1.7	.82
SMP5022-683M	680	1.10	1.4	.72
SMP5022-104M	1000	1.80	1.2	.56



NOTES:

- Operating temperature -55°C to +125°C
- *Saturation current is the approximate value that will reduce the initial inductance by 10%
- **Rated current is based on a 40°C temperature rise at an ambient temperature of 85°C.

TAPE AND REEL SPECS:

Pcs./Reel maximum:	350
Pitch between parts:	24 mm
Tape width:	32 mm
Reel diameter inches:	13