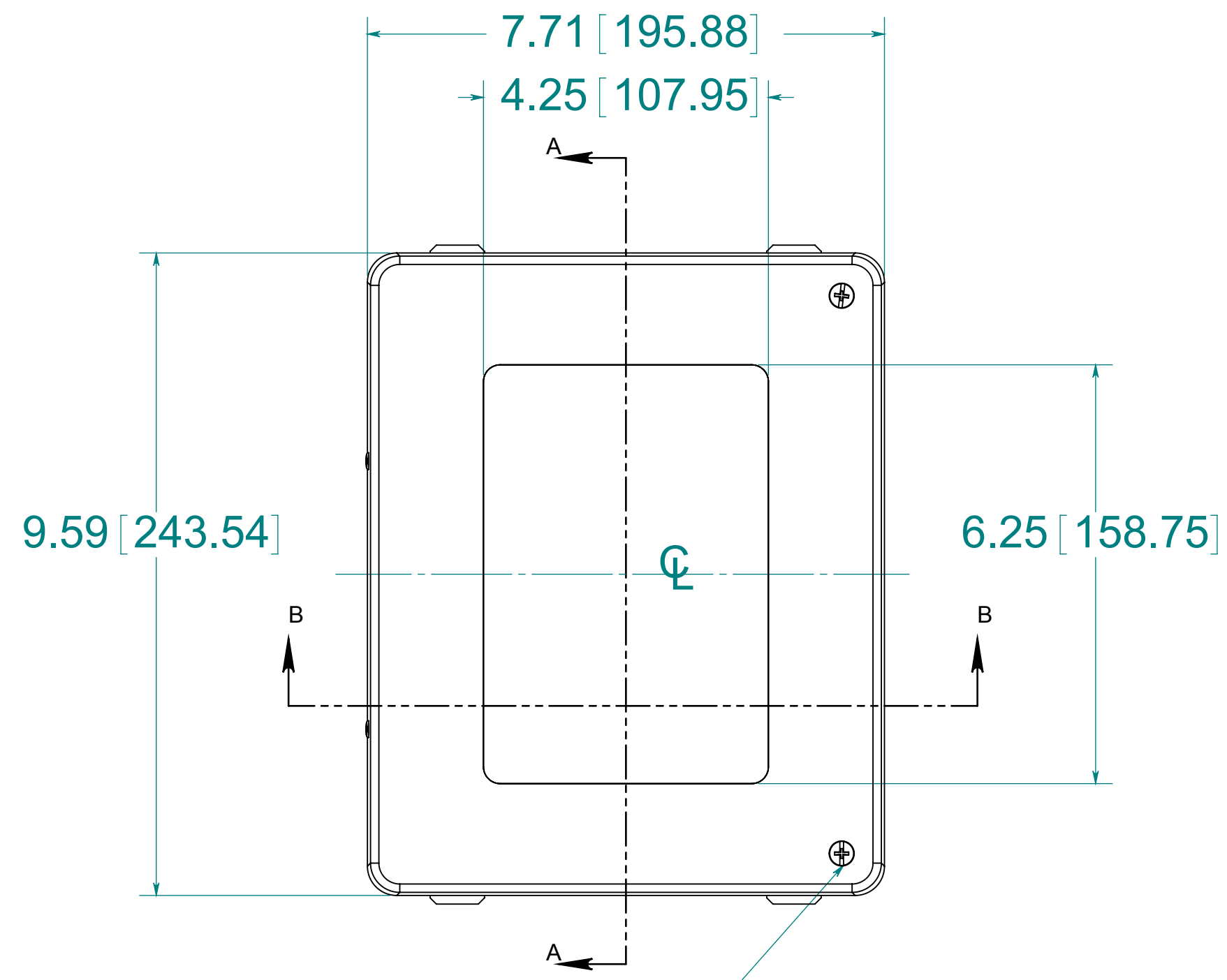
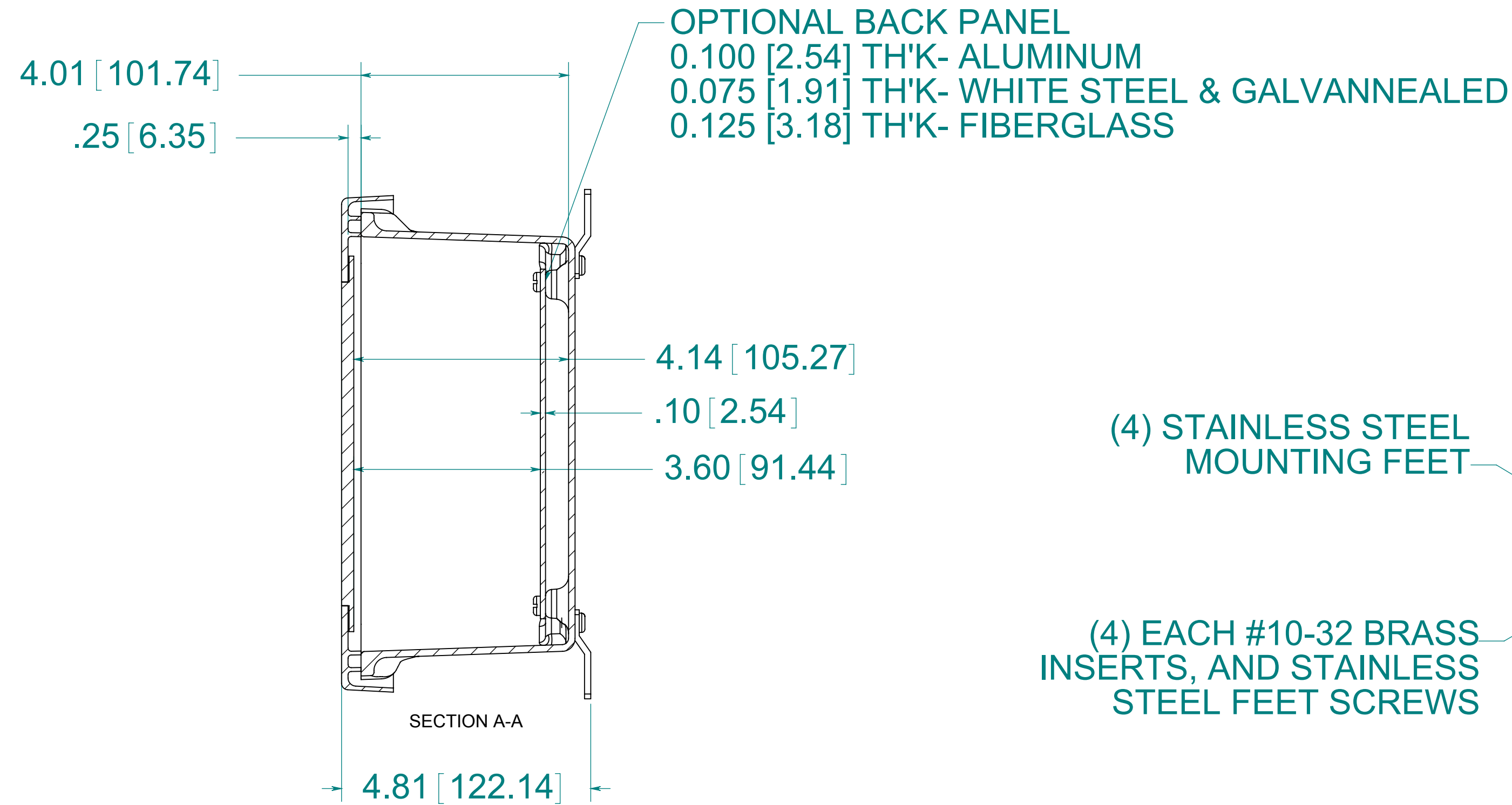


DATE	SYM.	DESCRIPTION	DR	CK	REL



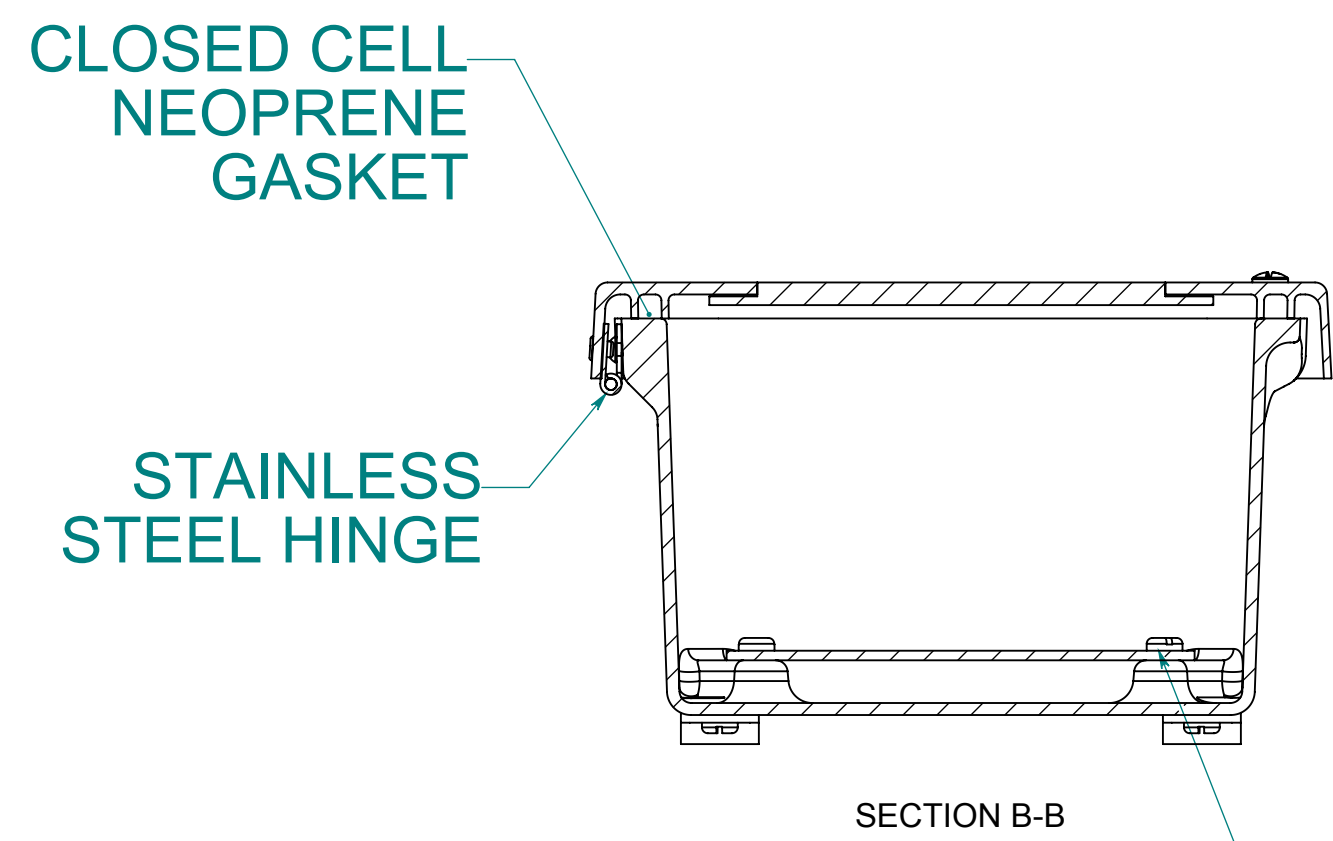
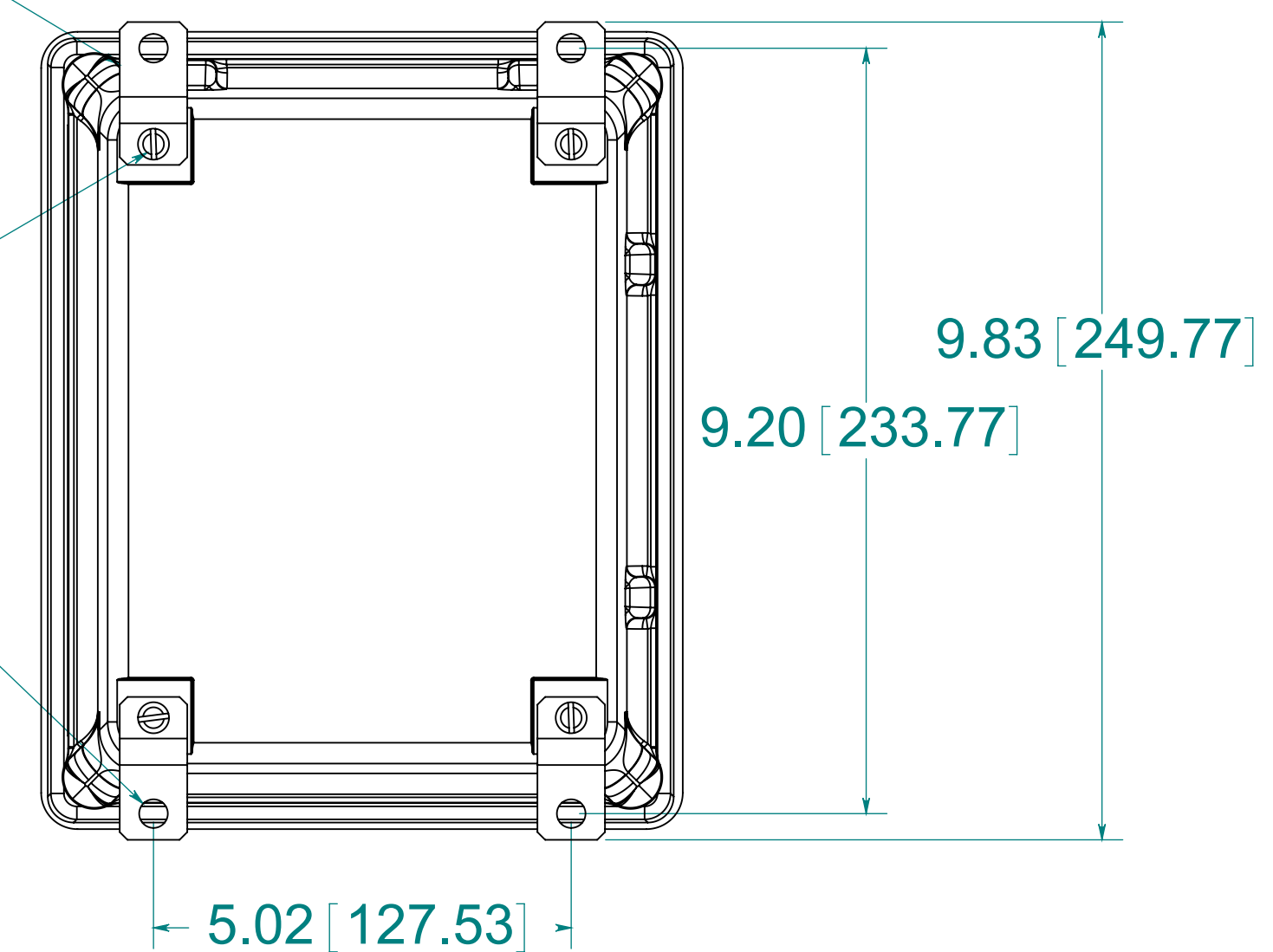
(2) EACH #10-32 BRASS INSERTS, AND STAINLESS STEEL CAPTIVE COVER SCREWS WITH RETAINING O-RING



BACK VIEW  
 (4) STAINLESS STEEL MOUNTING FEET

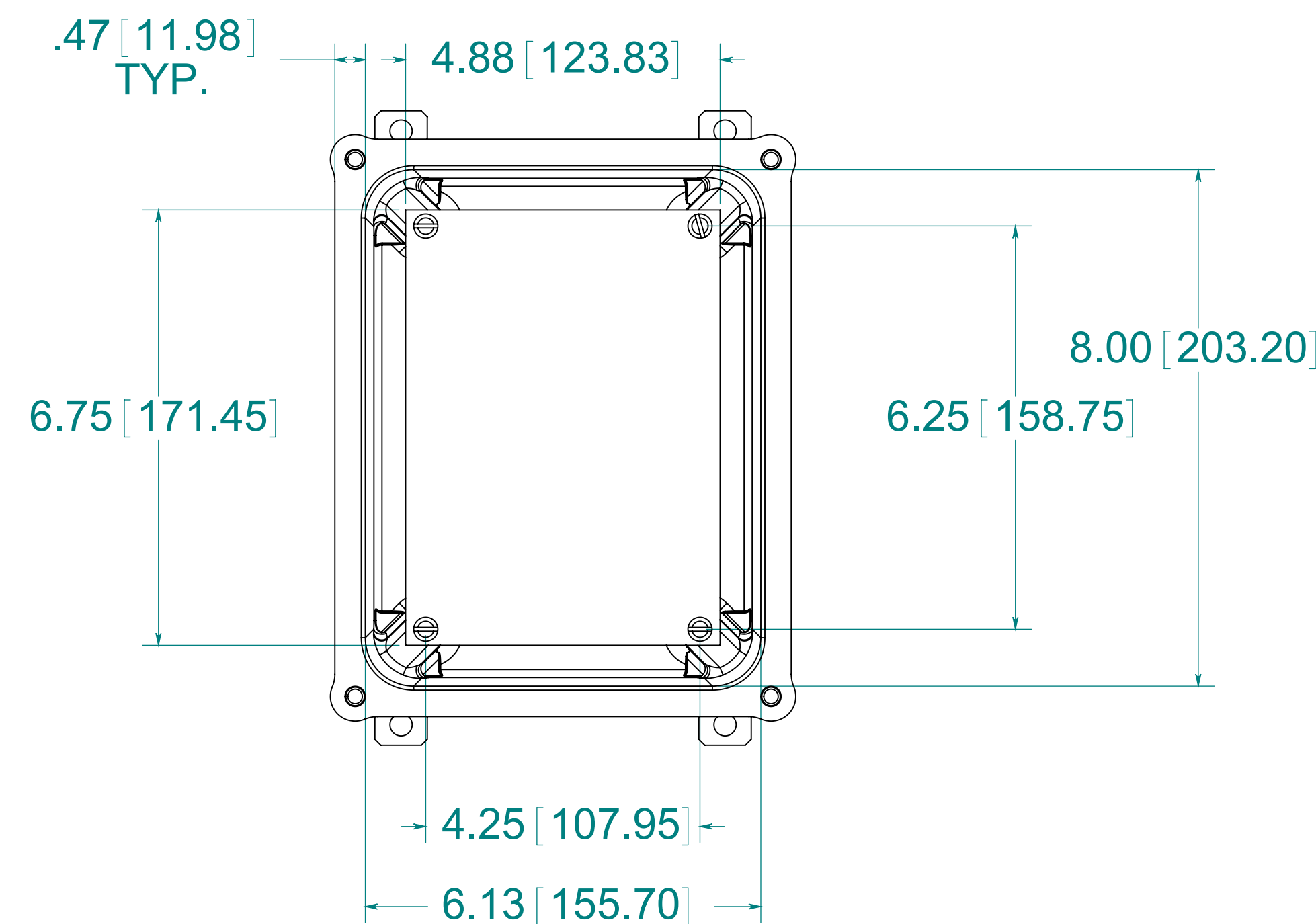
(4) EACH #10-32 BRASS INSERTS, AND STAINLESS STEEL FEET SCREWS

(4) Ø.34 [8.74]

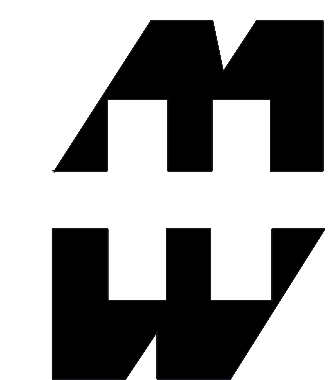


(4) EACH #10-32 BRASS INSERTS AND PLATED CARBON STEEL SCREWS

FRONT VIEW WITH COVER REMOVED AND BACK PANEL SHOWN



MATERIAL:  
 BOX- COMPRESSION MOLDED FIBERGLASS REINFORCED POLYESTER  
 COVER- COMPRESSION MOLDED FIBERGLASS REINFORCED POLYESTER  
 WINDOW- POLYCARBONATE



PART No. PJ864HW  
 for more information visit [www.hammfg.com](http://www.hammfg.com)  
 Data subject to change without notice  
 Drawing Not to Scale