

# NCP370

## Positive and Negative Overvoltage Protection with Internal Low $R_{ON}$ N-MOSFETs and Reverse Charge Control Pin

The NCP370 is an overvoltage, overcurrent and reverse control device. Two main modes are available by setting logic pins. First mode is Direct Mode from Wall-Adapter to the system. In this mode the system is both positive and negative over-voltage protected up to +28 V and down to -28 V. The wall adapter (or AC/DC charger) is disconnected from the system if the input voltage exceeds the overvoltage (OVLO) or undervoltage (UVLO) thresholds. At power up, the  $V_{out}$  turns on 30 ms after the  $V_{in}$  exceeds the undervoltage threshold.

The second mode (see Tables 1 & 2), called the Reverse Mode, allows an external accessory to be powered by the system battery or boost converter. Here the external accessory would be connected to the device input (bottom connector of system) and the device battery would be at the device output. In this case overcurrent protection is activated to prevent accessory faults and battery discharge. Thanks to the NCP370 using an internal NMOS, the system cost and the PCB area of the application board are minimized.

The NCP370 provides a negative going flag ( $\overline{FLAG}$ ) output which alerts the system that a fault has occurred.

In addition, the device has ESD-protected input (15 kV Air) when bypassed with a 1  $\mu$ F or larger capacitor.

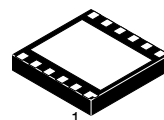
### Features

- Overvoltage Protection Up to 28 V
- Negative Voltage Protection Down to -28 V
- Reverse Charge Control:  $\overline{REV}$
- Direct Charge Control:  $\overline{DIR}$
- Overcurrent Protection
- Thermal Shutdown
- On-chip Low  $R_{DS(on)}$  NMOS Transistors: Typical 130 m $\Omega$
- Overvoltage Lockout (OVLO)
- Undervoltage Lockout (UVLO)
- Soft-Start
- Alert  $\overline{FLAG}$  Output
- Compliance to IEC61000-4-2 (Level 4)
  - 8 kV (Contact)
  - 15 kV (Air)
- ESD Ratings: Machine Model = B  
Human Body Model = 2
- 12 Lead TLLGA 3x3 mm Package
- This is a Pb-Free Device



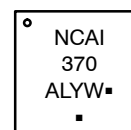
ON Semiconductor®

<http://onsemi.com>



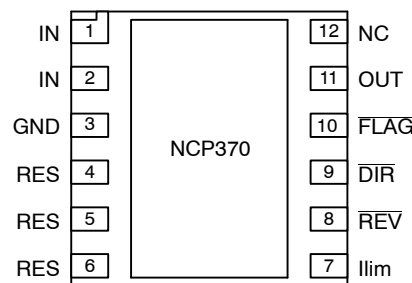
12 PIN LLGA  
MU SUFFIX  
CASE 513AK

### MARKING DIAGRAM



A = Assembly Location  
L = Wafer Lot  
Y = Year  
W = Work Week  
▪ = Pb-Free Package

(Note: Microdot may be in either location)



(Top View)

### ORDERING INFORMATION

Device	Package	Shipping†
NCP370MUAITXG	LLGA12 (Pb-Free)	2500 / Tape & Reel

†For information on tape and reel specifications, including part orientation and tape sizes, please refer to our Tape and Reel Packaging Specification Brochure, BRD8011/D.

### Typical Applications

- Cell Phones
- Camera Phones
- Digital Still Cameras
- Personal Digital Applications
- MP3 Players

# NCP370

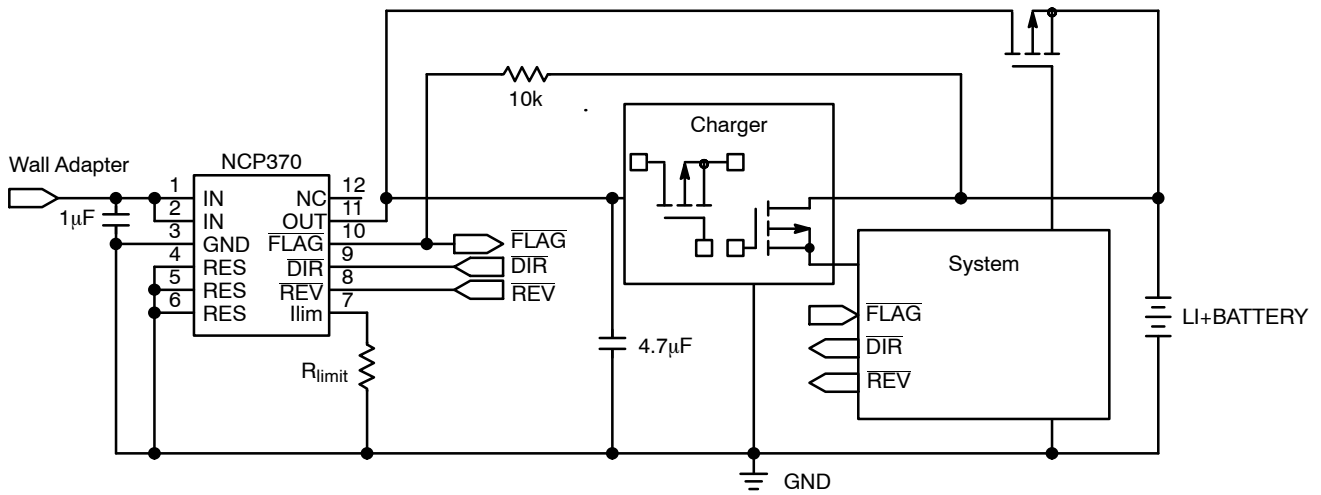


Figure 1. Typical Application Circuit

## FUNCTIONAL BLOCK DIAGRAM

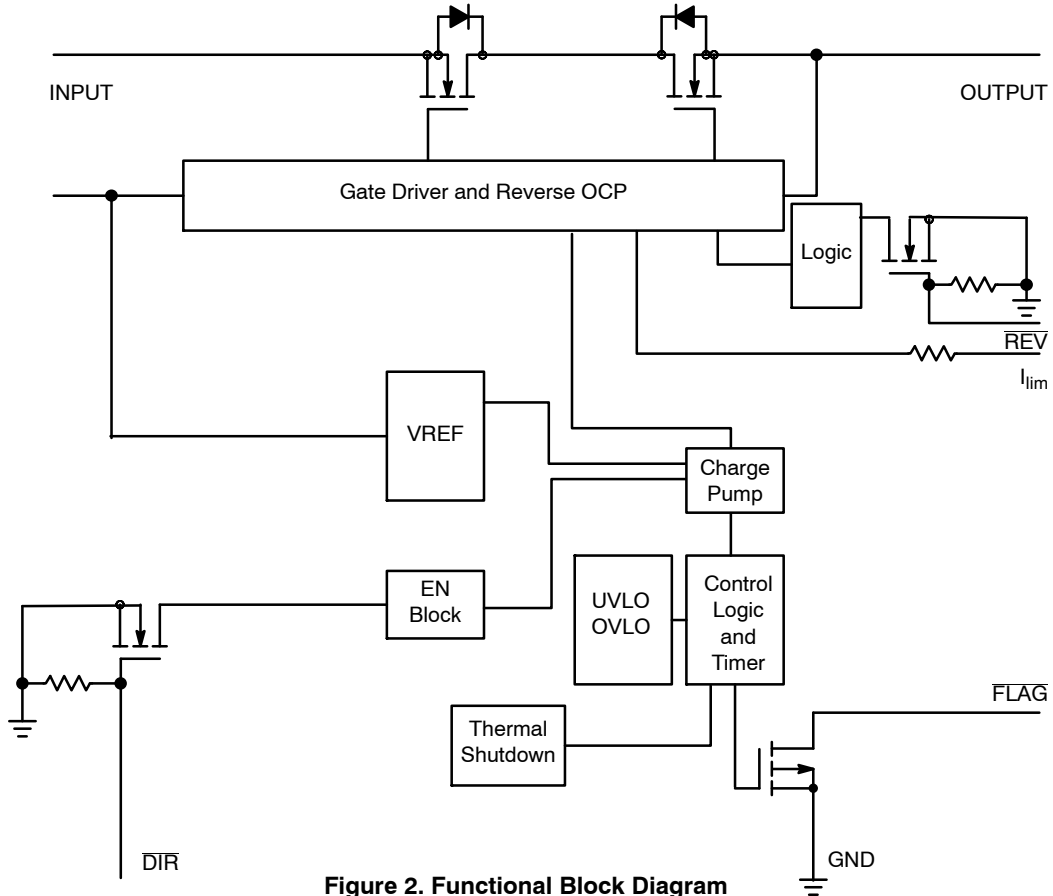


Figure 2. Functional Block Diagram

# NCP370

## PIN FUNCTION DESCRIPTION

Pin	Name	Type	Description
1, 2	IN	POWER	Input voltage pins. These pins are connected to the power supply. A 1 $\mu$ F low ESR ceramic capacitor, or larger, must be connected between these pins and GND. The two IN pins must be hardwired to common supply.
3	GND	POWER	Main Ground
4	RES	INPUT	Reserved pin. This pin must be connected to GND.
5	RES	INPUT	Reserved pin. This pin must be connected to GND.
6	RES	INPUT	Reserved pin. This pin must be connected to GND.
7	Ilim	OUTPUT	Current Limit Pin. This pin provides the reference, based on the internal band-gap voltage reference, to limit the over current, across internal N-MOSFETs, from battery to external accessory. A 1% tolerance, or better, resistor shall be used to get the highest accuracy of the overcurrent limit.
8	REV	INPUT	Reverse Charge Control Pin. In combination with DIR, the internal N-MOSFETs are turned on if Battery is applied on the OUT pin (See Tables 1 & 2). In reverse mode, the internal overcurrent protection is activated. When reverse mode is disabled, the NCP370 current consumption, into OUT pin, is drastically decreased to limit battery discharge.
9	DIR	INPUT	Direct Mode Pin. In combination with REV, the internal N-MOSFETs are turned on if a wall adapter AC-DC is applied on the IN pins (See Tables 1 & 2). The device enters in shutdown mode when this pin is tied to a high level and the REV pin is tied to high. In this case the output is disconnected from input. The state of this pin does not have an impact on the fault detect of the FLAG pin.
10	FLAG	OUTPUT	Fault Indication Pin. This pin allows an external system to detect fault condition. The pin goes low when input voltage exceeds OVLO threshold or drops below UVLO threshold, charge current from battery to accessory exceeds current limit or internal temperature exceeds thermal shutdown limit. Since the pin is open drain functionality, an external pull up resistor to VBat must be added (10 k $\Omega$ minimum value).
11	OUT	OUTPUT	Output Voltage Pin. This pin follows IN pins when "no input fault" is detected. The output is disconnected from the VIN power supply when the input voltage is under the UVLO threshold or above OVLO threshold or thermal shutdown limit is exceeded. In Reverse Mode, the device is supplied across OUT pin.
12	NC	NC	Not Connected
13	PAD1	POWER	The PAD1 is used to dissipate the internal MOSFET thermal energy and must be soldered to an isolated PCB area. The area mustn't be connected to any other potential than complete isolated one. See PCB recommendations on page 9.

## MAXIMUM RATINGS

Rating	Symbol	Value	Unit
Minimum Voltage (IN to GND)	Vmin <sub>in</sub>	-30	V
Minimum Voltage (All others to GND)	Vmin	-0.3	V
Maximum Voltage (IN to GND)	Vmax <sub>in</sub>	30	V
Maximum Voltage (OUT to GND)	Vmax <sub>out</sub>	10	V
Maximum Voltage (All others to GND)	Vmax	7	V
Thermal Resistance, Junction-to-Air, (Note 1)	R $_{\theta JA}$	200	$^{\circ}$ C/W
Operating Ambient Temperature Range	T <sub>A</sub>	-40 to +85	$^{\circ}$ C
Storage Temperature Range	T <sub>STG</sub>	-65 to +150	$^{\circ}$ C
Junction Operating Temperature	T <sub>J</sub>	150	$^{\circ}$ C
ESD Withstand Voltage (IEC 61000-4-2) Human Body Model (HBM), Model = 2, (Note 2) Machine Model (MM) Model = B, (Note 3)	Vesd	15kV air, 8kV contact 2000V 200V	kV V V
Moisture Sensitivity	MSL	Level 1	

Stresses exceeding Maximum Ratings may damage the device. Maximum Ratings are stress ratings only. Functional operation above the Recommended Operating Conditions is not implied. Extended exposure to stresses above the Recommended Operating Conditions may affect device reliability.

1. The R $_{\theta JA}$  is highly dependent on the PCB heat sink area (connected to PAD1). See PCB recommendation paragraph.
2. Human Body Model, 100 pF discharged through a 1.5 k $\Omega$  resistor following specification JESD22/A114.
3. Machine Model, 200 pF discharged through all pins following specification JESD22/A115.

# NCP370

**ELECTRICAL CHARACTERISTICS** ( $V_{in} = 5\text{ V}$ , Minimum/Maximum limits at  $-40^{\circ}\text{C} < T_A < +85^{\circ}\text{C}$  unless otherwise noted. Typical values are at  $T_A = +25^{\circ}\text{C}$ )

Characteristics	Symbols	Conditions	Min	Typ	Max	Unit
Input Voltage Range	$V_{in}$	Disable, Direct and Enhance Modes, $V_{out} = 0\text{ V}$	-28		28	V
Input Voltage	$V_{in_{min}}$	Disable, Direct and Enhance Modes, $V_{out} = 4.25\text{V}$	-24			V
Output Voltage Range	$V_{out}$	Reverse Mode	2.5		5.5	V
Undervoltage Lockout Threshold	UVLO	$V_{in}$ falls below UVLO Threshold (Disable, Direct and Enhance Modes)	2.6	2.7	2.8	V
Undervoltage Lockout Hysteresis	$UVLO_{hyst}$	$V_{in}$ rises above UVLO Threshold + $UVLO_{hyst}$	45	60	75	mV
Over voltage Lockout Threshold NCP370MUAITXG	OVLO	$V_{in}$ rises above OVLO threshold (Disable and Direct Modes)	6.3	6.6	6.9	V
Overvoltage Lockout Hysteresis	$OVLO_{hyst}$	$V_{in}$ falls below to $OVLO - OVLO_{hyst}$	60	80	100	mV
Over System Voltage Lockout	$OVLO_{00}$	$V_{in}$ rises above $OVLO_{00}$ Threshold Enhanced Mode @ $25^{\circ}\text{C}$	7.9	8.27	8.6	V
Overvoltage Lockout Hysteresis	$OVLO_{00hyst}$	$V_{in}$ falls below to $OVLO_{00} - OVLO_{00hyst}$ @ $25^{\circ}\text{C}$	80	100	145	mV
$V_{in}$ to $V_{out}$ Resistance	$R_{DS(on)}$	$V_{in} = 5\text{ V}$ , Direct Mode, Load Connected to $V_{out}$ $V_{in} = 5\text{ V}$ , Direct Mode, Load Connected to $V_{out}$ @ $25^{\circ}\text{C}$		130 130	220 200	$m\Omega$
$V_{out}$ to $V_{in}$ Resistance	$R_{DS(on)}$	$V_{out} = 5\text{ V}$ , Reverse Mode, Accessory Connected to $V_{in}$ $V_{out} = 5\text{ V}$ , Reverse Mode, Accessory Connected to $V_{in}$ @ $25^{\circ}\text{C}$		130 130	220 200	$m\Omega$
Input Standby Current	$I_{dd_{STD}}$	No Load. Disable Mode, $V_{in}$ connected		140	200	$\mu\text{A}$
Input Supply Quiescent Current	$I_{dd_{IN}}$	No Load. Direct Mode		200	280	$\mu\text{A}$
Output Standby Current	$I_{dd_{STDOUT}}$	$R_{in} = 10\text{ k}\Omega$ , $V_{out} = 5.5\text{ V}$ , Disable Mode		0.02	1.0	$\mu\text{A}$
Reverse Mode current	$I_{dd_{REV}}$	No Accessory, $V_{out} = 4.2\text{ V}$ , Reverse Mode		200	315	$\mu\text{A}$
Minimum DC Current	$I_{CHG}$	Output Load, $V_{in} = 5.5\text{ V}$ , Direct	1.3			A
	$I_{REV}$	Accessory, $V_{out} = 5.5\text{ V}$ , Reverse Modes	1.3			
Overcurrent Threshold	$I_{OCP}$	$V_{out} = 4.2\text{ V}$ , Load on $V_{in}$ , Reverse Mode, $R_{ILIM} = 0\ \Omega$ , $1\text{ A}/1\ \mu\text{s}$	1.35	1.75	2.10	A
Overcurrent Response	$I_{acc}$	Direct Accessory Short, Reverse Mode, $V_{out} = 4.2\text{ V}$ , $I_{lim} = 1.6\text{ A}$		7.0		%
FLAG Output Low Voltage	$V_{ol_{flag}}$	$1.2\text{ V} < V_{in} < UVLO$ Sink $50\ \mu\text{A}$ on FLAG Pin		30	400	mV
		$V_{in} > OVLO$ , Sink $1\text{ mA}$ on FLAG Pin			400	
		$I_{reverse} > I_{lim}$ , Sink $1\text{ mA}$ on FLAG Pin			400	
FLAG Leakage Current	$FLAG_{leak}$	FLAG Level = $5.5\text{ V}$		1.0		nA
DIR Voltage High	$V_{ih_{DIR}}$		1.2			V
DIR Voltage Low	$V_{il_{DIR}}$				0.55	V
DIR Leakage Current	$DIR_{leak}$	$V_{in}$ or $V_{out}$ connected $V_{in}$ and $V_{out}$ disconnected		200 1.0		nA
REV Voltage High	$V_{ih_{REV}}$		1.2			V
REV Voltage Low	$V_{il_{REV}}$				0.55	V
REV Leakage Current	$REV_{leak}$	$V_{in}$ or $V_{out}$ connected $V_{in}$ and $V_{out}$ disconnected		200 1.0		nA
Thermal Shutdown Temperature	$T_{SD}$			150		$^{\circ}\text{C}$
Thermal Shutdown Hysteresis	$T_{SDHYST}$			30		$^{\circ}\text{C}$

# NCP370

Characteristics	Symbols	Conditions	Min	Typ	Max	Unit
<b>TIMINGS</b>						
<b>DIRECT MODE</b>						
Start Up Delay	$t_{on}$	From $V_{in} > UVLO$ to $V_{out} \geq 0.3 V$	20	30	40	ms
$\overline{FLAG}$ Going Up Delay	$t_{start}$	From $V_{out} > 0.3 V$ to $\overline{FLAG} = 1.2 V$	20	30	40	ms
Turn Off Delay	$t_{off}$	From $V_{in} > OVLO$ to $V_{out} \leq 0.3 V$ $V_{in}$ Increasing from 5 V to 8 V at 3 V/ $\mu$ s		1.5	5.0	$\mu$ s
Alert Delay	$t_{stop}$	From $V_{in} > OVLO$ to $\overline{FLAG} \leq 0.4 V$ See Figure 3 and 9 $V_{in}$ Increasing from 5 V to 8 V at 3 V/ $\mu$ s		1.5		$\mu$ s
Disable Time	$t_{dis}$	$\overline{REV} = 1.2 V$ , From $\overline{DIR} = 0.4 V$ to 1.2 V to $V_{out} \leq 0.3 V$		2.5		$\mu$ s

## REVERSE MODE

Reverse Start Up Delay	$t_{onREV}$	$V_{out} \geq 2.5 V$ , From $\overline{REV} = 1.2$ to 0.55 to $V_{in} \geq 0.3 V$ , Reverse Mode	0.6	1.2	1.8	ms
Reverse $\overline{FLAG}$ Going Up Delay	$t_{startREV}$	From $V_{in} \geq 0.3 V$ $\overline{FLAG} = 1.2 V$ , Reverse Mode	0.6	1.2	1.8	ms
Rearming Reverse Delay	$t_{RRD}$	$V_{out} > 2.5 V$ , $R_{in} = 1 \Omega$ , Reverse Mode	20	30	40	ms
Over Current Regulation Time	$t_{REG}$	$V_{out} > 2.6$ , $V_{in} > 0.3 V$ , Reverse Mode	0.5	1.2	1.8	ms
OCP Delay Time	$t_{OCP}$	From $I_{reverse} > I_{lim}$ , 1 A/1 $\mu$ s		5		$\mu$ s
Reverse Disable Time	$t_{REVDIS}$	From $\overline{REV} = 0.55 V$ to 1.2 V, to $V_{in} < 0.3 V$ . $V_{out} = 5 V$		200		$\mu$ s

NOTE: Electrical parameters are guaranteed by correlation across the full range of temperature.

## TYPICAL OPERATING CHARACTERISTICS

### Operation

The NCP370 provides overvoltage protection for positive and negative voltages, up to 28 V or down to -28 V on IN pins. At powerup, with  $\overline{DIR}$  pin = low,  $\overline{REV} =$  high, the output rises 30 ms after the input rises above the UVLO. The NCP370 provides a  $\overline{FLAG}$  output, which alerts the system that a fault has occurred. The  $\overline{FLAG}$  signal rises 30 ms after the output signal rises.

A Reverse Mode is available when an accessory is connected on IN pins and the internal battery is applied on the OUT pin, allowing the accessory to be powered. In this mode, no supply must be connected on IN pins and  $\overline{REV}$  pin must be tied to low level. The NCP370 provides overcurrent protection for the battery from current faults in the accessory.

### Undervoltage Lockout (UVLO)

To ensure proper turn-on operation from AC/DC (or Wall adapter charging) under any conditions, the device has a built-in undervoltage lock out (UVLO) circuit. During positive going slope on  $V_{in}$ , the output remains disconnected from input until  $V_{in}$  voltage is above UVLO. The  $\overline{FLAG}$  output will be low as long as  $V_{in}$  has not reached UVLO threshold. This circuit has a 60 mV hysteresis to provide noise immunity to transient conditions.

In Reverse Mode ( $\overline{REV}$  pin  $\leq 0.55 V$ ,  $\overline{DIR} \geq 1.2 V$ ), UVLO and OVLO comparators are inactivated.

### Overvoltage Lockout (OVLO)

To protect connected systems on Vout pin from overvoltage, the device has a built-in overvoltage lock out (OVLO) circuit. During overvoltage condition, the output is disabled as long as the input voltage exceeds OVLO.

Additional OVLO thresholds can be manufactured (Please contact your ON Semiconductor representative for availability).

$\overline{FLAG}$  output will be low since  $V_{in}$  is higher than OVLO. This circuit has a 80 mV hysteresis to provide noise immunity to transient conditions.

### Oversystem Voltage Lockout (OVLO<sub>00</sub>)

A second overvoltage comparator is available for supplying the system (output) by the Wall Adaptor (input) by setting  $\overline{DIR} =$  low and  $\overline{REV} =$  low. The  $R_{DS(on)}$  will be higher during this mode allowing to handle few 10 mA.

This additional comparator allows to put higher input voltage (OVLO = 8.27 V typical) on the NCP370 during test production sequence (I.E: One Time Programming of the cell phone, PDA). This parameter is 25°C guaranteed only.

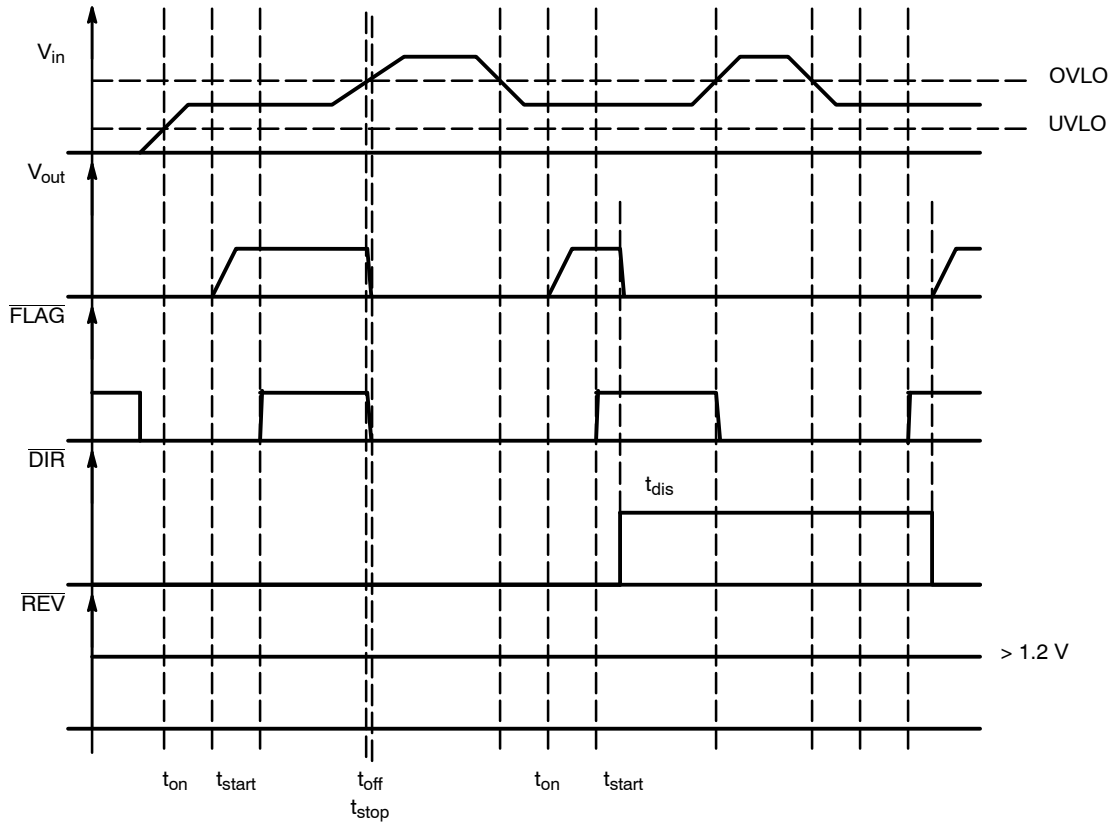
### FLAG Output

The NCP370 provides a  $\overline{FLAG}$  output which alerts that a fault has occurred. As soon as a fault state is detected by the NCP370 (see Figure 3), the  $\overline{FLAG}$  pin output goes low, alerting the micro-controller to take appropriate action.

## NCP370

The  $\overline{\text{FLAG}}$  pin goes low as soon the input voltage exceeds the OVLO threshold or falls below the UVLO threshold. When the  $V_{in}$  level recovers normal condition,  $\overline{\text{FLAG}}$  goes high after a time delay,  $t_{start}$  (see Figure 3), following the  $V_{out}$  response. The  $\overline{\text{FLAG}}$  pin is an open drain output and

therefore a pull up resistor (typically  $1\text{ M}\Omega$ , minimum  $10\text{ k}\Omega$ ) must be connected to Battery. The  $\overline{\text{FLAG}}$  level will always reflect  $V_{in}$  status, even if the device is turned off ( $\overline{\text{DIR}} = 1$  and  $\overline{\text{REV}} = 1$ ).



**Figure 3.  $\overline{\text{FLAG}}$  Pin in AC/DC Charging Mode**

During over thermal condition ( $T_j > T_{SD}$ ), output is disconnected from input, and  $\overline{\text{FLAG}}$  pin goes low.

In Reverse Mode,  $\overline{\text{FLAG}}$  pin remains available, allowing the micro-controller to appropriately process the

overvoltage condition, overcurrent condition or thermal shutdown condition.

# NCP370

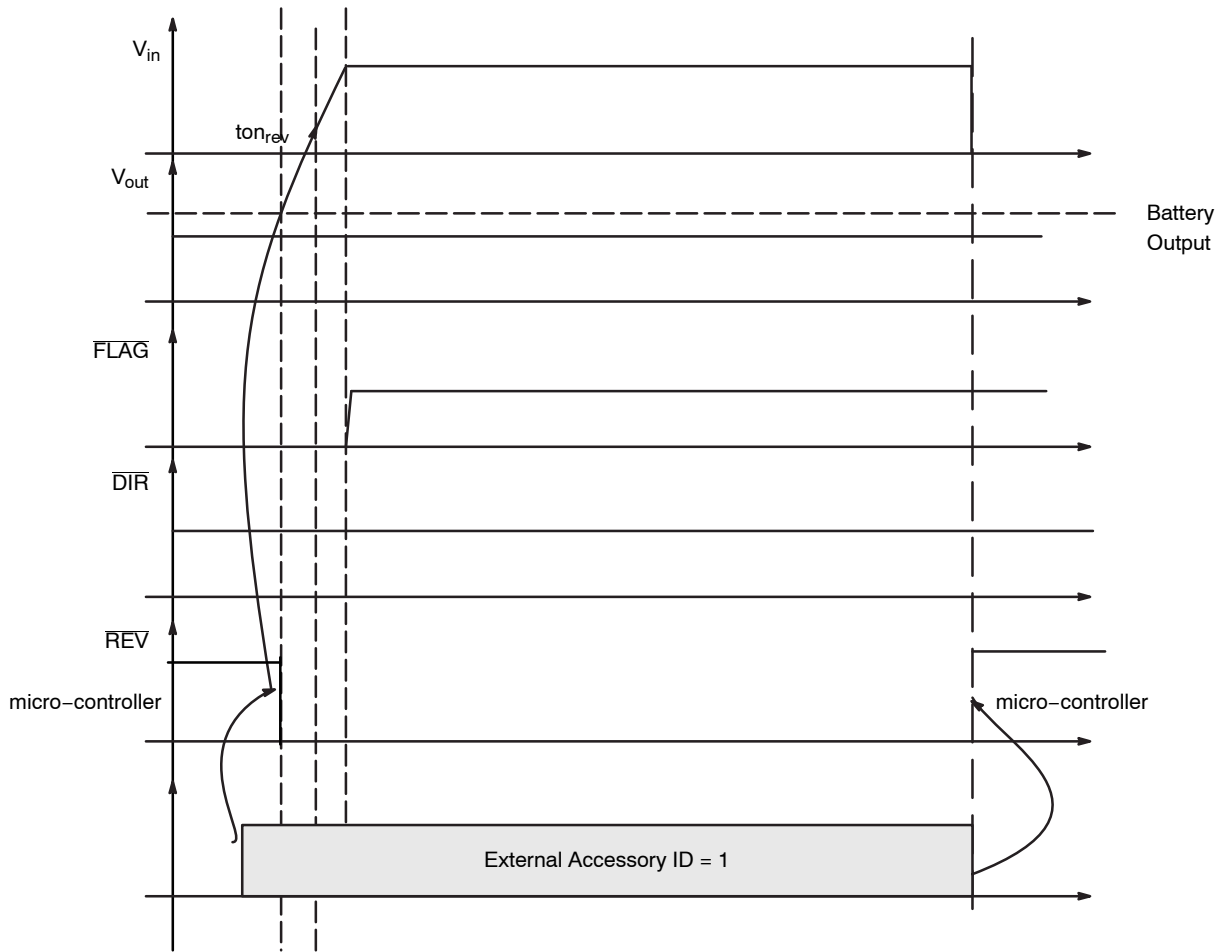


Figure 4.  $\overline{\text{FLAG}}$  status in Reverse Mode

Table 1. FLAG TABLE

DIR	REV	IN	OUT	FLAG Status	Pass Element (Dual NMOS FET)
0	0	$1.5 < V_{in} < UVLO$ or $V_{in} > OVLO_{oo}$	Hiz	Low	Open
0	0	$UVLO < V_{in} < OVLO_{oo}$	$= V_{in} - \text{DROPOUT}$	High	Close
0	1	$1.5 < V_{in} < UVLO$ or $V_{in} > OVLO$	Hiz	Low	Open
0	1	$UVLO < V_{in} < OVLO$	$= V_{in} - \text{DROPOUT}$	High	Close
1	0	$= V_{out} - \text{DROPOUT}$	$V_{out} > 2.5 \text{ V}$	High	Close
1	1	$1.5 < V_{in} < UVLO$ or $V_{in} > OVLO$	Hiz	Low	Open
1	1	$UVLO < V_{in} < OVLO$	Hiz	High	Open

## DIR Input

To enable Direct Charge operation (Direct Mode), the  $\overline{\text{DIR}}$  pin shall be forced to low and  $\overline{\text{REV}}$  to high. A high level on the  $\overline{\text{DIR}}$  pin disconnects OUT pin from IN pin.  $\overline{\text{DIR}}$  does not over-ride an OVLO or UVLO fault ( $\overline{\text{FLAG}}$  status is still available).

Table 2. TABLE SELECTION OF CHARGE MODES

DIR	REV	Mode
0	0	Enhance Mode
0	1	Direct Mode
1	0	Reverse Mode
1	1	Disable Mode

**Negative Voltage and Reverse Current.**

The device protects the downstream side from negative voltage occurring on the IN pin, down to -28 V. When a negative voltage occurs, the output is disconnected from the IN pins.

**Reverse Mode**

In Reverse Mode, an external accessory plugged into the bottom connector can be powered by the internal battery of the system.

To access to the reverse mode,  $\overline{DIR}$  pin must be tied high (> 1.2) and  $\overline{REV}$  must be tied high to low (< 0.55 V).

In this case, the core of the NCP370 will be supplied by the battery, with a 2.5 V minimum voltage and 5.5 V maximum voltage.

In this reverse state, both OCP and thermal modes are available.

**Overcurrent Protection (OCP)**

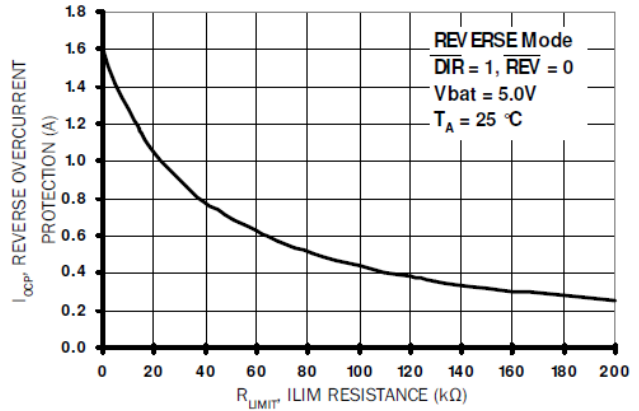
This device integrates the reverse over current protection function, from battery to external accessory.

That means the current across the internal NMOS is limited when the value, set by the external  $R_{LIMIT}$  resistor, exceeds  $I_{OCP}$ .

An internal resistor is placed in series with the  $I_{lim}$  pin allowing a maximum OCP value when  $I_{lim}$  pin is directly connected to GND.

By adding external resistors in series from  $I_{lim}$  to GND, the OCP value is lowered. The typical overcurrent threshold can be calculated with the following formula;

$$R_{ilim} (k\Omega) = (60 / I_{OCP}) - 36$$



**Figure 5. Reverse Mode Overcurrent Protection vs. ILIM Resistance,  $R_{LIMIT}$**

During an overcurrent event, the N-MOSFETs turn off and  $\overline{FLAG}$  output goes low, allowing the micro-controller to process the fault event and then disable reverse charge path.



## NCP370

At power up (accessory is plugged on input pins), the current is limited up to  $I_{lim}$  for 1.2 ms (typical), to allow capacitor charge and limit inrush current. If the  $I_{lim}$  threshold is exceeded over 1.2 ms, the device enters OCP burst mode until the overcurrent event disappears.

After 1 ms following the plug in of the accessory, the OCP mode is engaged. See Figure 6.

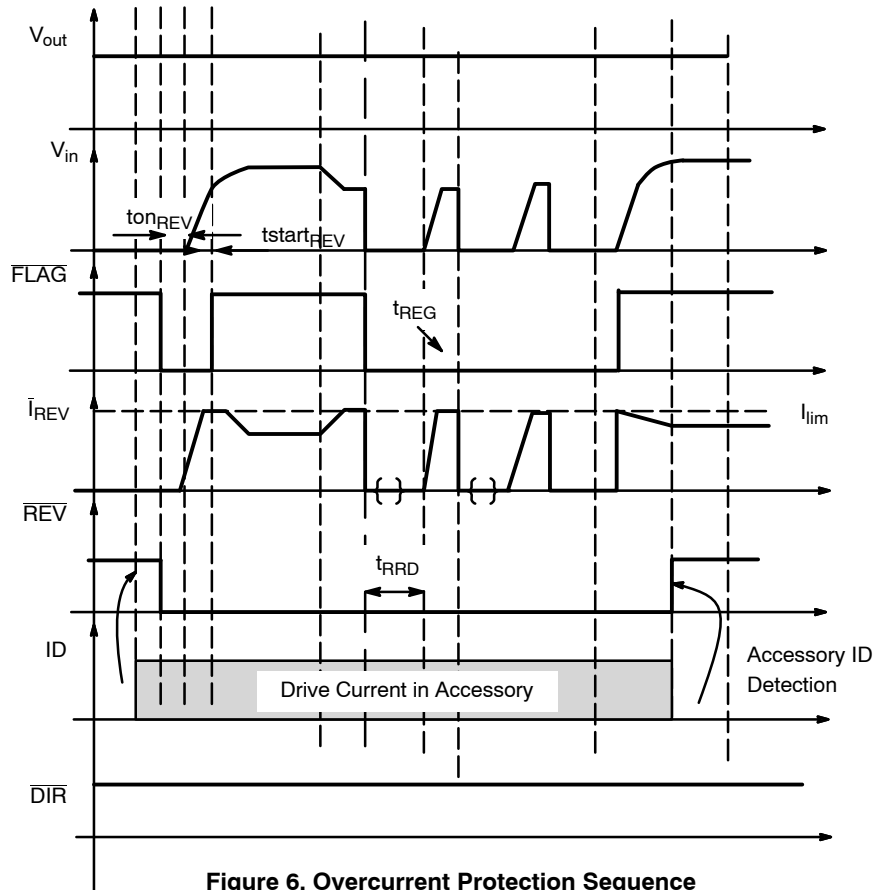


Figure 6. Overcurrent Protection Sequence

### Thermal Shutdown Protection

In case of internal overheating, the integrated thermal shutdown protection turns off the internal MOSFETs in order to instantaneously decrease the device temperature. The thermal threshold has been set at  $150^{\circ}\text{C}$   $\overline{\text{FLAG}}$  then goes low to inform the MCU.

As the thermal hysteresis is  $30^{\circ}\text{C}$ , the MOSFETs will turn on as soon the device temperature falls below  $120^{\circ}\text{C}$ .

If the fault event is still present, the temperature increase engages the thermal shutdown again until the fault event disappears.

### PCB Recommendations

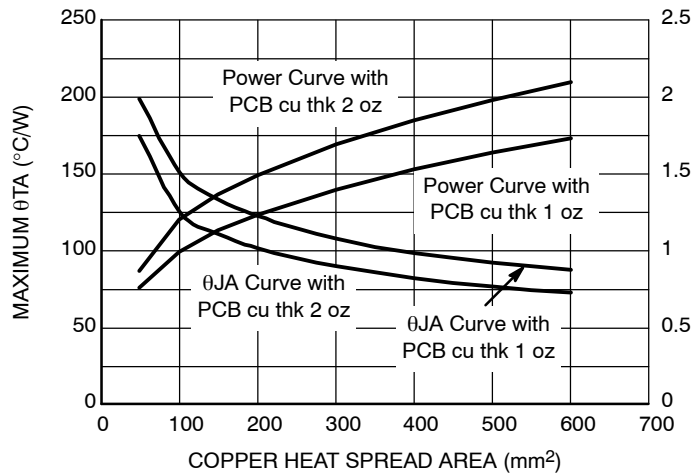
Since the NCP370 integrates the 1.3A N-MOSFETs, PCB rules must be respected to properly evacuate the heat out of the silicon.

From an applications standpoint, PAD1 of the NCP370 package should be connected to an isolated PCB area to increase the heat transfer if necessary.

In any case, PAD1 should be not connected to any other potential or GND other than the isolated extra copper surface.

To assist in the design of the transfer plane connected to PAD1, Figure 7 shows the copper area required with respect to  $R_{\theta JA}$ .

# NCP370



**Figure 7. Copper heat Spread Area**

### ESD Tests

The NCP370 conforms to the IEC61000-4-2, level 4 on the Input pin. A 1  $\mu$ F (I.E Murata GRM188R61E105KA12D) must be placed close to the IN pins. If the IEC61000-4-2 is not a requirement, a 100 nF/25 V must be placed between IN and GND.

The above configuration supports 15 kV (Air) and 8 kV (Contact) at the input per IEC61000-4-2 (level 4).

Please refer to Figure 8 for the IEC61000-4-2 electrostatic discharge waveform.

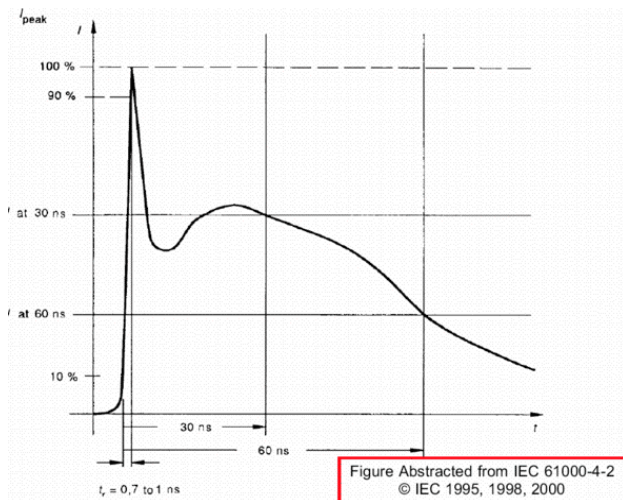
### R<sub>DS(on)</sub> and Dropout

The NCP370 includes two internal low R<sub>DS(on)</sub> N-MOSFETs to protect the system, connected on OUT pin, from overvoltage, negative voltage and reverse current protection. During normal operation, the R<sub>DS(on)</sub> characteristics of the N-MOSFETs give rise to low losses on V<sub>out</sub> pin.

As example: R<sub>load</sub> = 8  $\Omega$ , V<sub>in</sub> = 5 V. R<sub>DS(on)</sub> = 155 m $\Omega$ . I<sub>out</sub> = 800 mA.

$$V_{out} = 4.905 \text{ V}$$

$$\text{NMOS Losses} = R_{DS(on)} \times I_{out}^2 = 0.155 \times 0.8^2 = 0.0992 \text{ W}$$

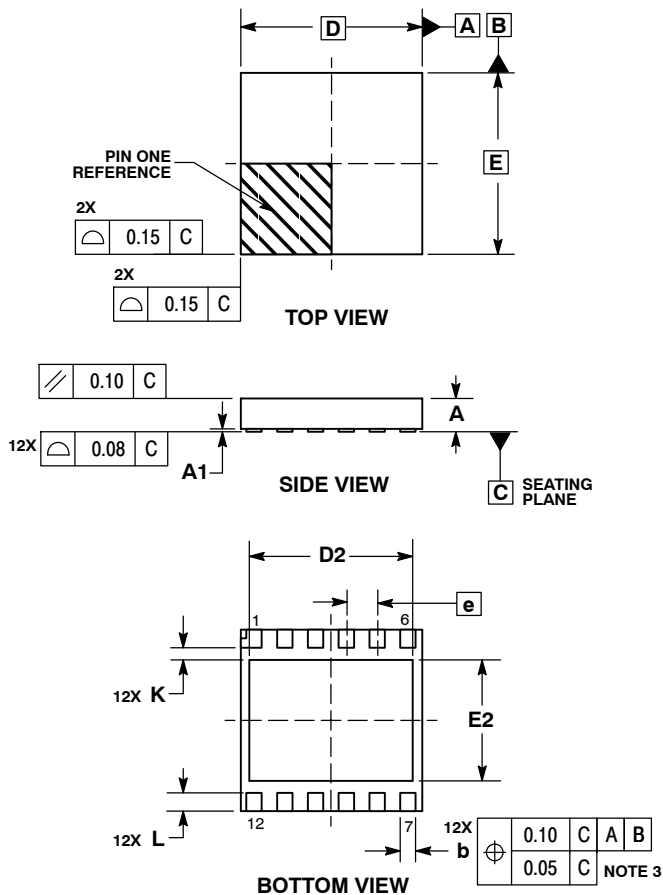


**Figure 8. I<sub>peak</sub> = f(t)/IEC61000-4-2**

# NCP370

## PACKAGE DIMENSIONS

LLGA12 3x3, 0.5P  
CASE 513AK-01  
ISSUE O

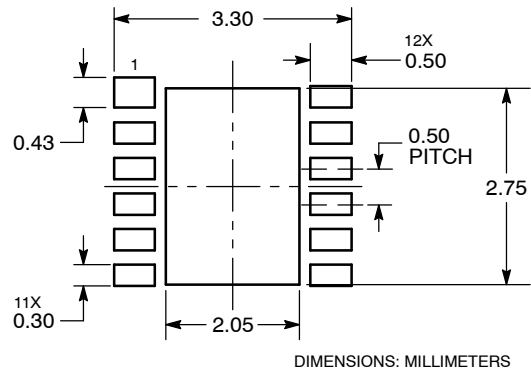


**NOTES:**

1. DIMENSIONING AND TOLERANCING PER ASME Y14.5M, 1994.
2. CONTROLLING DIMENSION: MILLIMETERS.
3. DIMENSION b APPLIES TO PLATED TERMINAL AND IS MEASURED BETWEEN 0.15 AND 0.30 MM FROM TERMINAL TIP.
4. COPLANARITY APPLIES TO THE EXPOSED PAD AS WELL AS THE TERMINALS.

MILLIMETERS		
DIM	MIN	MAX
A	0.50	0.60
A1	0.00	0.05
b	0.20	0.30
D	3.00 BSC	
D2	2.60	2.80
E	3.00 BSC	
E2	1.90	2.10
e	0.50 BSC	
K	0.20	---
L	0.25	0.35

**SOLDERING FOOTPRINT\***



\*For additional information on our Pb-Free strategy and soldering details, please download the ON Semiconductor Soldering and Mounting Techniques Reference Manual, SOLDERRM/D.

ON Semiconductor and are registered trademarks of Semiconductor Components Industries, LLC (SCILLC). SCILLC reserves the right to make changes without further notice to any products herein. SCILLC makes no warranty, representation or guarantee regarding the suitability of its products for any particular purpose, nor does SCILLC assume any liability arising out of the application or use of any product or circuit, and specifically disclaims any and all liability, including without limitation special, consequential or incidental damages. "Typical" parameters which may be provided in SCILLC data sheets and/or specifications can and do vary in different applications and actual performance may vary over time. All operating parameters, including "Typicals" must be validated for each customer application by customer's technical experts. SCILLC does not convey any license under its patent rights nor the rights of others. SCILLC products are not designed, intended, or authorized for use as components in systems intended for surgical implant into the body, or other applications intended to support or sustain life, or for any other application in which the failure of the SCILLC product could create a situation where personal injury or death may occur. Should Buyer purchase or use SCILLC products for any such unintended or unauthorized application, Buyer shall indemnify and hold SCILLC and its officers, employees, subsidiaries, affiliates, and distributors harmless against all claims, costs, damages, and expenses, and reasonable attorney fees arising out of, directly or indirectly, any claim of personal injury or death associated with such unintended or unauthorized use, even if such claim alleges that SCILLC was negligent regarding the design or manufacture of the part. SCILLC is an Equal Opportunity/Affirmative Action Employer. This literature is subject to all applicable copyright laws and is not for resale in any manner.

**PUBLICATION ORDERING INFORMATION**

**LITERATURE FULFILLMENT:**  
Literature Distribution Center for ON Semiconductor  
P.O. Box 5163, Denver, Colorado 80217 USA  
Phone: 303-675-2175 or 800-344-3860 Toll Free USA/Canada  
Fax: 303-675-2176 or 800-344-3867 Toll Free USA/Canada  
Email: orderlit@onsemi.com

**N. American Technical Support:** 800-282-9855 Toll Free USA/Canada  
**Europe, Middle East and Africa Technical Support:**  
Phone: 421 33 790 2910  
**Japan Customer Focus Center**  
Phone: 81-3-5773-3850

**ON Semiconductor Website:** [www.onsemi.com](http://www.onsemi.com)  
**Order Literature:** <http://www.onsemi.com/orderlit>  
For additional information, please contact your local Sales Representative