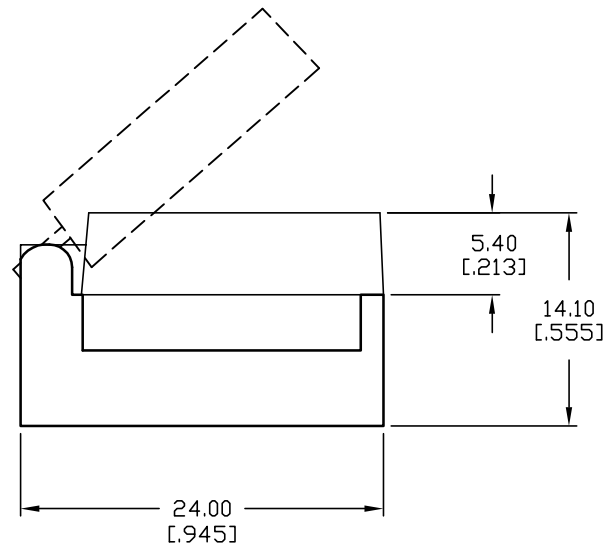
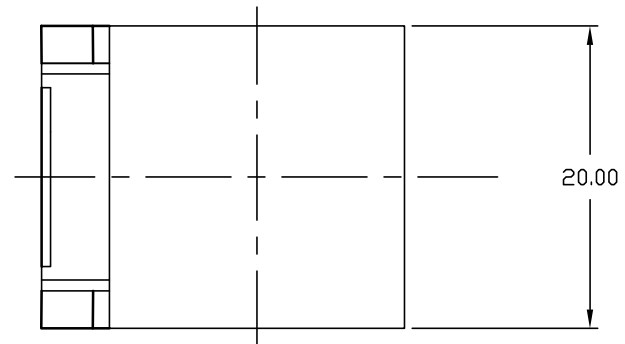


REAR VIEW



NOTES:

1. ALL DIMENSIONS IN MM
2. GENERAL TOLERANCE:

E-SWITCH®

| | | | | | | | | | |
|-------|--|---------|--|----|--|---------|--|-----|--|
| TITLE | | | | | 50-011-11 (PROTECTIVE CAP) FOR SQUARE HEAD 180° | | | | |
| SCALE | | DATE | | DR | | DWG | | REV | |
| 2:1 | | 12/9/03 | | AR | | F051103 | | A | |

| | | | | |
|------|---------|-------------------------|---------|------|
| REV. | ECN No. | DESCRIPTION | DATE | CHKD |
| A | 13644 | RELEASED FOR PRODUCTION | 12/9/03 | AR |

THE INFORMATION CONTAINED IN THIS DOCUMENT IS PROPRIETARY TO E-SWITCH AND IS NOT TO BE COPIED OR TRANSFERRED