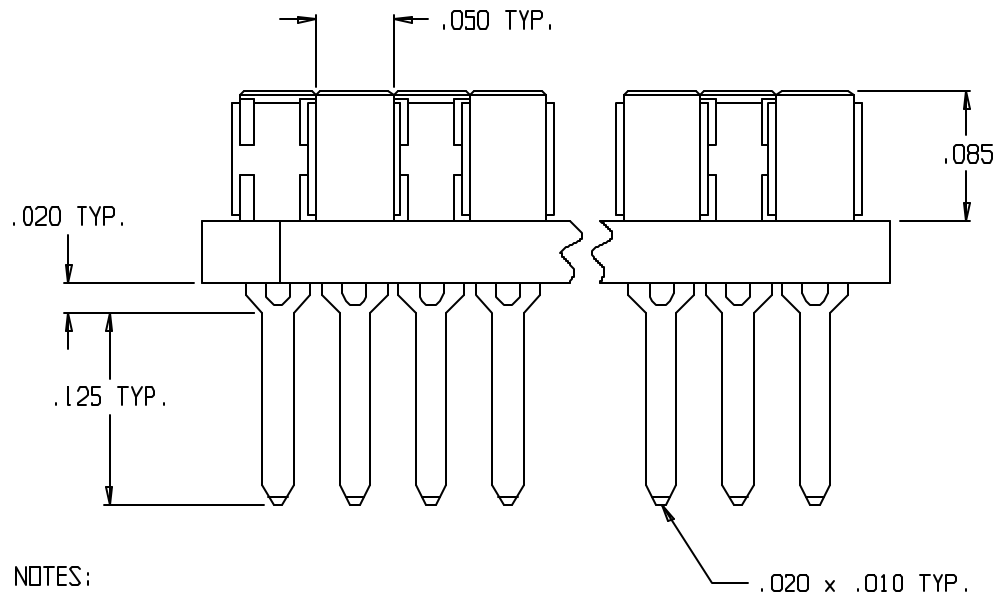
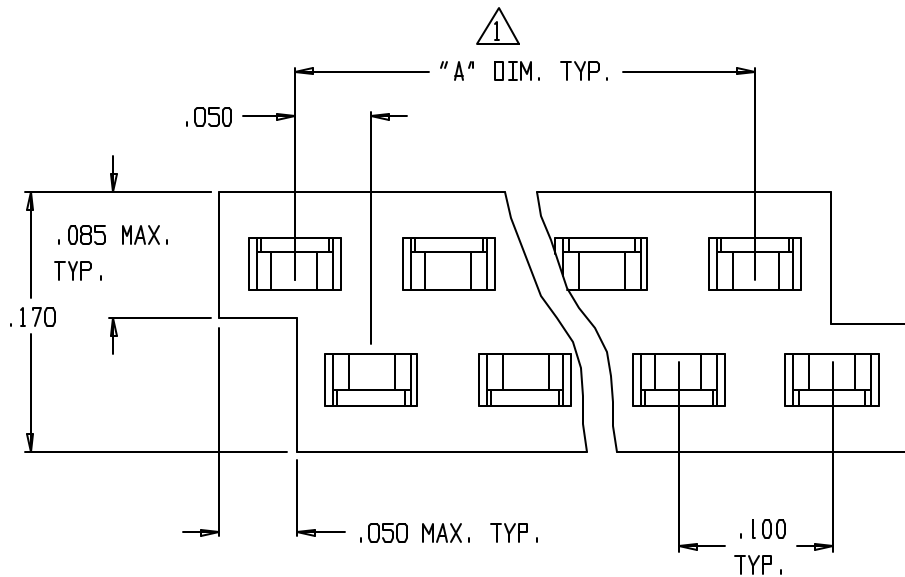


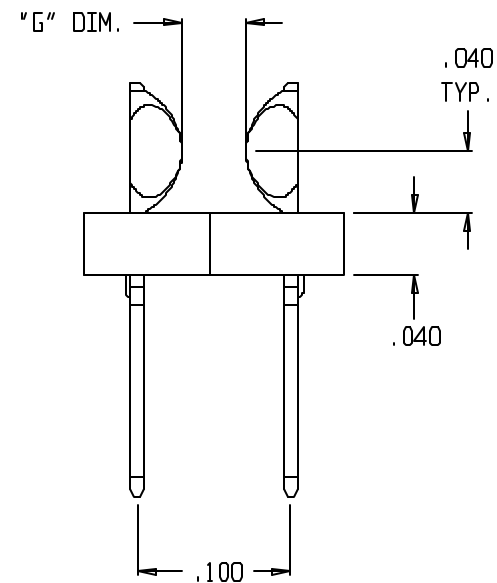
Rev.	Revision	Date	By
1	RELEASED PER ECN 95-033	10/06	T. G.



ORDERING CODE:

PART # EA22 XX -D XX C -00C


SERIES _____
NUMBER OF POSITIONS _____
PER ROW (10 - 50) _____
"G" DIMENSION _____
45 = .045
56 = .056
SOLDER / FLUX TYPE _____
C = Sn60 Pb40 RMA
FOR OTHER TYPES, CONSULT FACTORY



NOTES:

1 "A" DIMENSION EQUALS NUMBER OF POSITIONS PER ROW TIMES .100 MINUS .100. SIZES RANGING FROM 10 TO 50 POSITIONS PER ROW ARE AVAILABLE.

2. MATERIAL: HOUSING - HIGH TEMPERATURE FIBERGLASS REINFORCED THERMOPLASTIC
CONTACT - COPPER ALLOY
FINISH - 150 MICROINCHES TIN/LEAD.

NET ASSY		Material:	Drawn by:	Date:	 AN INVERTELL INDUSTRIES CO. TEL: (401) 775-4100 FAX: (401) 771-9731	100 FINDER AVE. MIDDLETOWN, R.I. 02839
Unless otherwise specified dimensions are in inches. Tolerances are: Fractions Decimals Angles ±.004 ±.005 ±.1°		Specs:	T. GRAY	10/06/95		EA22XX-DXXC-00C
All dimensions shown are other plating. Remove burrs and sharp edges.		Finish:	Checked by:	Date:	Title: LEFT STAGGER EDGE CLIP ASSEMBLY	Scale: 10 : 1
Rev.:	File Name: EA22XXR1	Lead's Ack'd:	Ref No.:	Sheet: 1	of: 1	