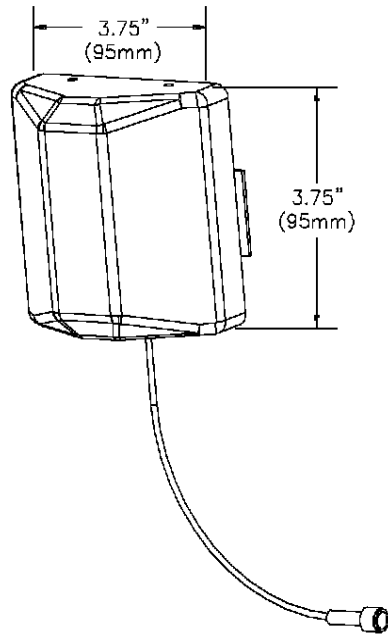


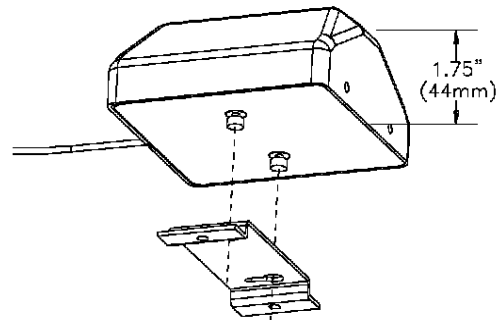
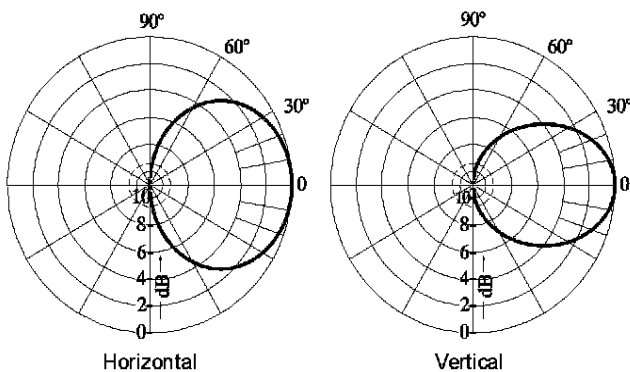
DB793SD5(S/T/N)-M

dB Diamond™ Indoor Antenna
1850-1990 MHz

| | |
|--------------------------|---|
| Model Number | DB793SD5(S/T/N)-M |
| Connector Options | S: SMA T: TNC N: N-Male |
| Impedance | 50 ohms |
| Gain | 4.9 dBd (7 dBi) |
| Beamwidth (3dB from max) | Horizontal: 105° Vertical: 69.5° |
| Frequency Range | 1850 - 1990 MHz |
| VSWR | < 1.5 :1 |
| Front-to-Back Ratio | > 17 dB |
| Polarization | Vertical |
| Max. Input Power | 25 Watts |
| Application | PCS |
| Weight | 4 oz. (.15 kg) |
| Material | Radiators: PCB Copper Foil Radome: ABS, UV Inhibited Back: Aluminum |
| Color | Radome: White |
| Mounting | Quick release wall mount. |
| Packing Size | 7" x 7" x 6" (18 x 18 x 15 cm) |
| Shipping Weight | 1 lb (.45 kg) |



Antenna Patterns



4.9 dBd (7 dBi) Gain Single Dipole
Antenna for Indoor Coverage at
1850-1990 MHz.

Specifications are for reference only.

099167-000-A 7/98



DECIBEL PRODUCTS

A Division of Allen Telecom Inc.

8635 Stemmons Freeway • P. O. Box 569610 • Dallas, Texas 75356-9610
214 / 631-0310 • Fax: 214 / 631-4706

