

DO NOT SCALE FROM THIS PRINT

CFT-1XX-XX-X-D-RA-XX-SL-XX

No OF POSITIONS
-20, -25, -30, -34, -40, -50
(PER ROW)

POST OPTION
-SD: .120[3.05] POST
-BLANK: HOT PLUGGABLE
(25 POSITION ONLY)
-SL: SOLDER LOCK

LEAD STYLE
-01: STANDARD
(USE CFT-XX-D-S-XX-SL)
-02: ELEVATED
(USE CFT-XX-D-E-XX-SL)

PLATING SPECIFICATION
-L: LIGHT SELECTIVE GOLD
(USE T-1S15-09-L)
-S: SELECTIVE GOLD
(USE T-1S15-09-S)

CARD LENGTH
-01: 1.00 [25.4]
(USE CFT-XX-D-X-01-SL)
-02: 2.00 [50.8]
(USE CFT-XX-D-X-02-SL)

TAIL OPTION
-RA: RIGHT ANGLE

ROW SPECIFICATION
-D: DOUBLE (USE CFT-XX-D-X-XX-SL)

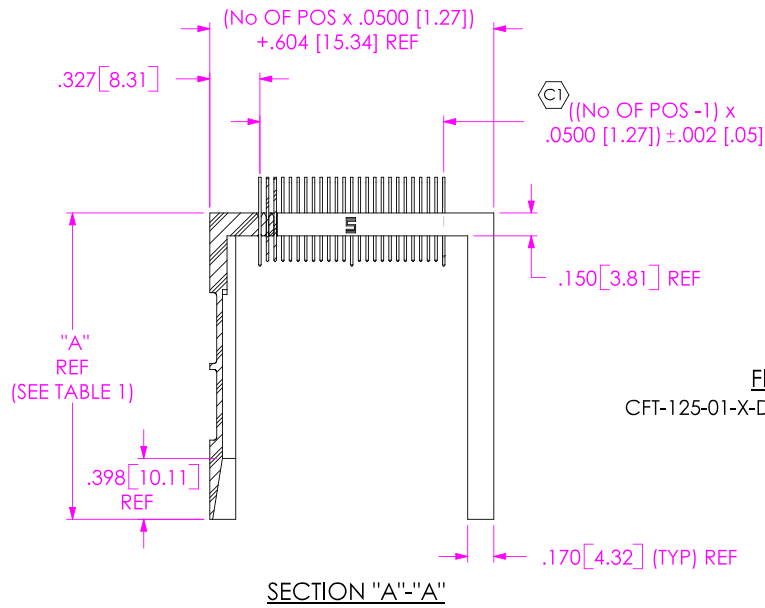
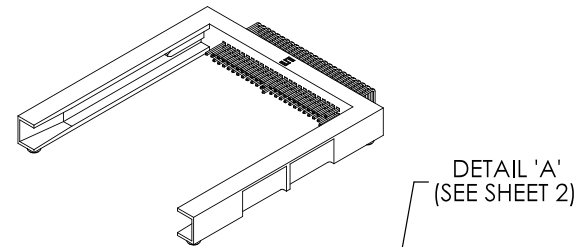
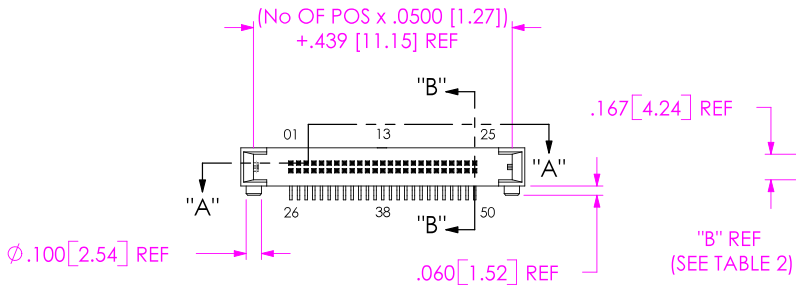


FIG. 1
CFT-125-01-X-D-RA-02-SL SHOWN



DETAIL 'A'
(SEE SHEET 2)

TABLE 1	
CARD LENGTH	"A"
-01	1.00 [25.4]
-02	2.00 [50.8]

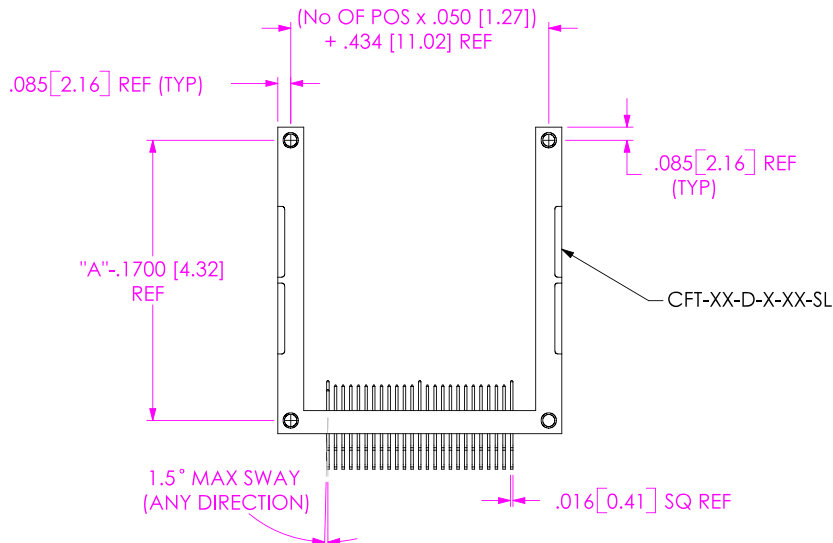


SECTION "B"- "B"

TABLE 2	
LEAD STYLE	"B"
-01	.250 [6.35]
-02	.350 [8.89]

NOTES:

1. Ⓞ REPRESENTS A CRITICAL DIMENSION.
2. DELETED.
3. BURR ALLOWANCE: .0015[.038] MAX.
4. MINIMUM PUSHOUT FORCE: 1.5 LB.
5. MAXIMUM ALLOWABLE BOW: .002 INCH/INCH AFTER ASSEMBLY.
6. MAX HEIGHT VARIATION .005 BETWEEN ROWS.
7. DELETED.
8. TERMINALS TO BE SHEARED TO OBTAIN DIMENSION SPECIFICATION.
9. PARTS TO BE PACKAGED IN TUBES.
10. DIMENSION TO BE MEASURED AT BEND.



UNLESS OTHERWISE SPECIFIED, DIMENSIONS ARE IN INCHES.
TOLERANCES ARE:
DECIMALS ANGLES
.XX: ±.01 [.3] 2°
.XXX: ±.005 [.13]
.XXXX: ±.002 [.051]

PROPRIETARY NOTE
THIS DOCUMENT CONTAINS INFORMATION CONFIDENTIAL AND PROPRIETARY TO SAMTEC, INC. AND SHALL NOT BE REPRODUCED OR TRANSFERRED TO OTHER DOCUMENTS OR DISCLOSED TO OTHERS OR USED FOR ANY PURPOSE OTHER THAN THAT WHICH IT WAS OBTAINED WITHOUT THE EXPRESSED WRITTEN CONSENT OF SAMTEC, INC.

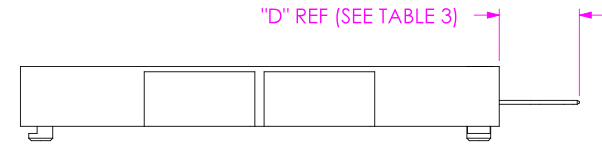
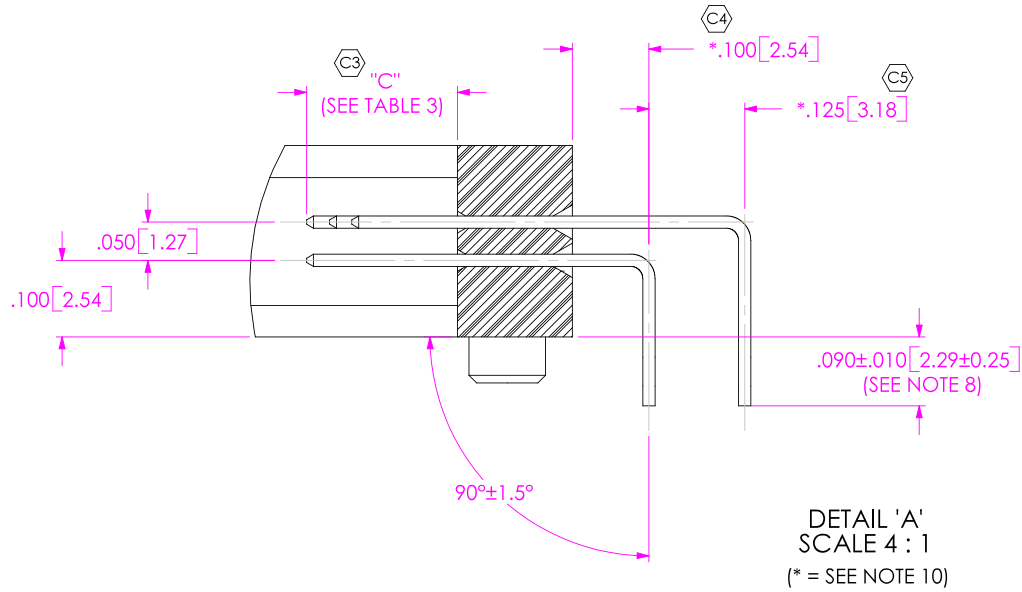
MATERIAL: DO NOT SCALE DRAWING SHEET SCALE: 1:1.25
INSULATOR: VECTRA E130I
COLOR: BLACK
TERMINAL: 510 PHOS BRONZE, SPRING TEMPER

F:\DWG\MISC\mktg\CFT-MKT.SLDDRW

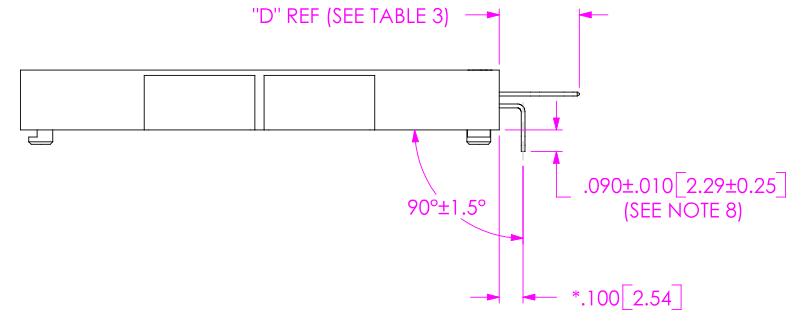
SAMTEC
520 Park East Blvd. New Albany, IN 47151
Phone (812) 944-6733 Fax (812) 948-5047
e-Mail: INFO@SAMTEC.COM CODE: 55322

DESCRIPTION:
.050 [1.27] C.L. CARD GUIDE ASSEMBLY
DWG. NO.
CFT-1XX-XX-X-D-RA-XX-SL-XX
BY: DEAN P 03/05/1999 SHEET 1 OF 2

TABLE 3			
POST OPTION	POSITION	"C"	"D"
HOT PLUGGABLE	25, 26	.138 [3.50]	.662 [16.81]
	01, 13, 38, 50	.197 [5.00]	.603 [15.32]
	ALL OTHERS	.167 [4.24]	.633 [16.84]
-SD (SEE NOTE 6)	ALL	.120 [3.05]	.680 [17.27]

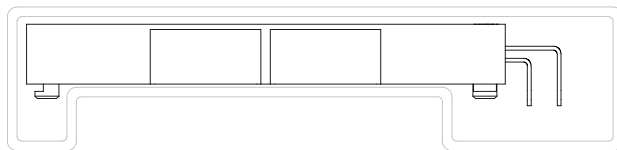


IN-PROCESS 1



IN-PROCESS 2
(* = SEE NOTE 10)

PACKAGING VIEW



PACKAGING TABLE		
CARD LENGTH	TUBE	PLUG
-01	PT-1-24-01-81	TP-07
-02	PT-1-24-02-81	TP-07

PROPRIETARY NOTE
THIS DOCUMENT CONTAINS INFORMATION CONFIDENTIAL AND PROPRIETARY TO SAMTEC, INC. AND SHALL NOT BE REPRODUCED OR TRANSFERRED TO OTHER DOCUMENTS OR DISCLOSED TO OTHERS OR USED FOR ANY PURPOSE OTHER THAN THAT WHICH IT WAS OBTAINED WITHOUT THE EXPRESSED WRITTEN CONSENT OF SAMTEC, INC.

DO NOT SCALE DRAWING

SHEET SCALE: 1:2:1

SAMTEC

520 Park East Blvd. New Albany, IN 47151
Phone (812) 944-6733 Fax (812) 948-5047
e-Mail: INFO@SAMTEC.COM CODE: 55322

DESCRIPTION:
.050 [1.27] C.L. CARD GUIDE ASSEMBLY

DWG. NO.
CFT-1XX-XX-X-D-RA-XX-SL-XX

BY: DEAN P 03/05/1999 SHEET 2 OF 2