

**CURRENT MODE PWM CONTROLLER****AZ2842/3/4/5****General Description**

The AZ2842/3/4/5 are high performance fixed frequency current-mode PWM controller series.

These integrated circuits are optimized for off-line and DC-DC converter applications with minimum external components. They feature under-voltage lockout (UVLO) circuit with low start-up current, trimmed oscillator for precise duty cycle control, current sense comparator providing maximum current limiting and a totem pole output stage for increasing output current. In addition, these ICs also feature accurate protection against over-temperature, over-current and maximal output power.

The AZ2842 and AZ2844 have UVLO thresholds of 15.5V(on) and 10V(off); The corresponding thresholds for AZ2843 and AZ2845 are 8.4 V(on) and 7.8V(off).

The AZ2842 and AZ2843 can operate approaching 100% duty cycle; AZ2844 and AZ2845 can operate from zero to 50% duty cycle.

These ICs are available in 3 packages: SOIC-8, DIP-8 and SOIC-14.

Features

- Robust V_{REF} Line/Load Regulation
Low Line Regulation : 4mV
Low Load Regulation : 4mV
- High Stability of Reference Voltage over a Full Temperature Range: 0.2mV/ °C
- Operating Frequency up to 500KHz
- High PWM Frequency Stability over a Full Temperature Range: 2.5%
- High PWM Frequency Stability under a Full Supply Voltage Range: 0.2%
- Accurate Over-temperature Protection with Hysteresis
- UVLO with Hysteresis

Applications

- Off-line Converter
- DC-DC Converter
- Voltage Adapter
- CRT Monitor Power Supply
- Desktop Power Supply
- DVD/STB Power Supply

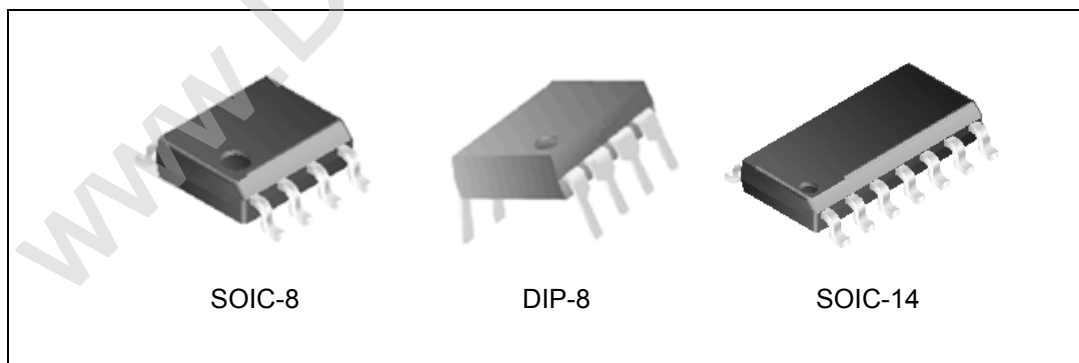


Figure 1. Package Types of AZ2842/3/4/5



CURRENT MODE PWM CONTROLLER

AZ2842/3/4/5

Pin Configuration

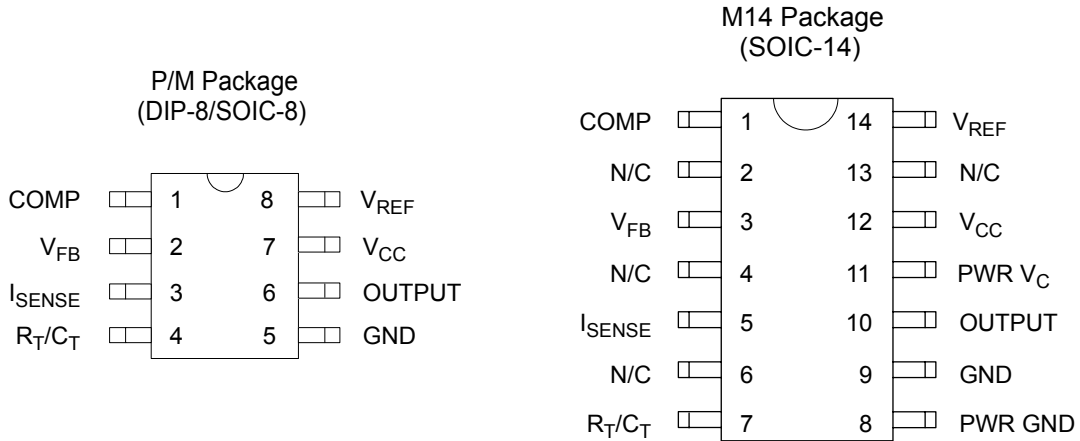


Figure 2. Pin Configuration of AZ2842/3/4/5 (Top View)

Pin Description

Pin Number		Pin Name	Function
8-pin	14-pin		
1	1	COMP	This pin is the Error Amplifier output and is made available for loop compensation.
2	3	V _{FB}	The inverting input of the Error Amplifier. It is normally connected to the switching power supply output through a resistor divider.
3	5	I _{SENSE}	A voltage proportional to inductor current is connected to this input. The PWM uses this information to terminate the output switch conduction.
4	7	R _T /C _T	The Oscillator frequency and maximum output duty cycle are programmed by connecting resistor R _T to V _{REF} and capacitor C _T to ground. Operation to 500 kHz is possible.
5		GND	The combined control circuitry and power ground.
6	10	OUTPUT	This output directly drives the gate of a power MOSFET. Peak currents up to 1.0 A are sourced and sunk by this pin.
7	12	V _{CC}	The positive supply of the control IC.
8	14	V _{REF}	This is the reference output. It provides charging current for capacitor C _T through resistor R _T .
	8	PWR GND	This pin is a separate power ground return that is connected back to the power source. It is used to reduce the effects of switching transient noise on the control circuitry.
	11	PWR V _C	The High Output Voltage (V _{OH}) is set by the voltage applied to this pin. With a separate power source connection, it can reduce the effects of switching transient noise on the control circuitry.
	9	GND	This pin is the control circuitry ground return and is connected back to the power source ground.
	2,4,6,13	N/C	No connection. These pins are not internally connected.



CURRENT MODE PWM CONTROLLER

AZ2842/3/4/5

Functional Block Diagram

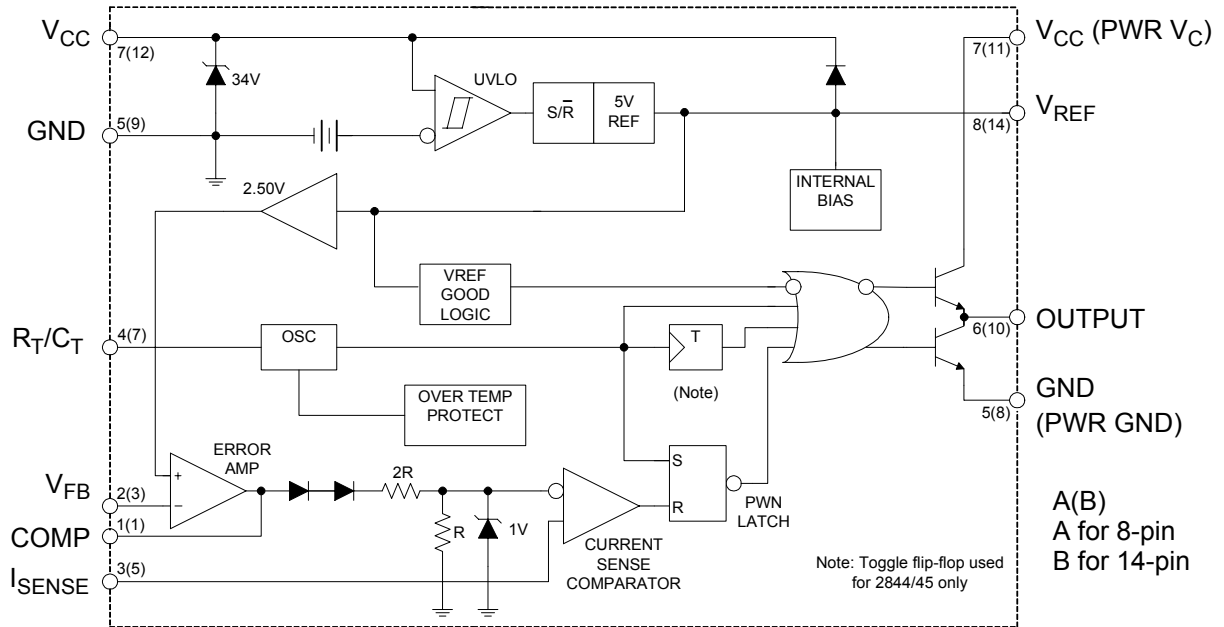


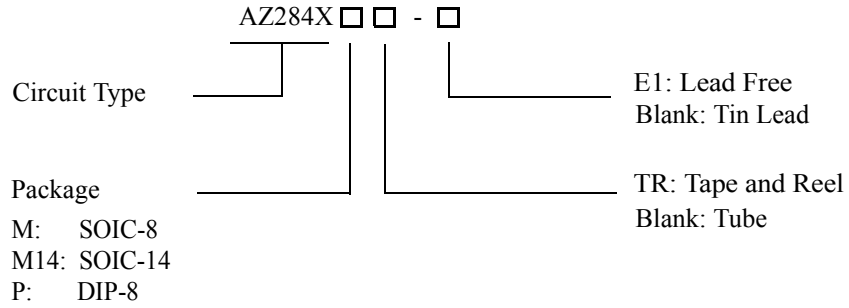
Figure 3. Functional Block Diagram of AZ2842/3/4/5



CURRENT MODE PWM CONTROLLER

AZ2842/3/4/5

Ordering Information



Package	Temperature Range	Part Number		Marking ID		Packing Type
		Tin Lead	Lead Free	Tin Lead	Lead Free	
SOIC-8	-40 to 85°C	AZ2842/3/4/5M	AZ2842/3/4/5M-E1	2842/3/4/5M	2842/3/4/5M-E1	Tube
		AZ2842/3/4/5MTR	AZ2842/3/4/5MTR-E1	2842/3/4/5M	2842/3/4/5M-E1	Tape & Reel
DIP-8	-40 to 85°C	AZ2842/3/4/5P	AZ2842/3/4/5P-E1	AZ2842/3/4/5P	AZ2842/3/4/5P-E1	Tube
SOIC-14	-40 to 85°C	AZ2842/3/4/5M14	AZ2842/3/4/5M14-E1	AZ2842/3/4/5M14	AZ2842/3/4/5M14-E1	Tube
		AZ2842/3/4/5M14TR	AZ2842/3/4/5M14TR-E1	AZ2842/3/4/5M14	AZ2842/3/4/5M14-E1	Tape & Reel

The listed part numbers are used during the transition to lead-free products. After the transition completed, lead-free products will be considered as the "standard" and we will resume the original part numbers.

**CURRENT MODE PWM CONTROLLER****AZ2842/3/4/5****Absolute Maximum Ratings (Note 1, 2)**

Parameter	Symbol	Value	Unit
Supply Voltage	V_{CC}	30	V
Output Current	I_O	± 1	A
Analog Inputs (8-pin: pin2,3, 14-pin: pin3,5)	$V(ANA)$	-0.3 to 6.3	V
Error Amp Output Sink Current	$I_{SINK(E.A)}$	10	mA
Power Dissipation at $T_A < 25\text{ }^\circ\text{C}$ (DIP-8)	P_D (Note 3)	1000	mW
Power Dissipation at $T_A < 25\text{ }^\circ\text{C}$ (SOIC-8)	P_D (Note 3)	460	mW
Power Dissipation at $T_A < 25\text{ }^\circ\text{C}$ (SOIC-14)	P_D (Note 3)	725	mW
Storage Temperature Range	T_{STG}	-65 to 150	$^\circ\text{C}$
Lead Temperature (Soldering, 10sec)	T_{LEAD}	300	$^\circ\text{C}$

Note 1: Stresses greater than those listed under "Absolute Maximum Ratings" may cause permanent damage to the device. These are stress ratings only, and functional operation of the device at these or any other conditions beyond those indicated under "Recommended Operating Conditions" is not implied. Exposure to "Absolute Maximum Ratings" for extended periods may affect device reliability.

Note 2: All voltages are with respect to pin 5 and all currents are positive into specified terminal.

Note 3: Board thickness 1.6mm, board dimension 90mm X 90mm.

Recommended Operating Conditions

Parameter	Symbol	Min	Max	Unit
Oscillation Frequency	f		500	KHz
Ambient Temperature	T_A	-40	85	$^\circ\text{C}$



CURRENT MODE PWM CONTROLLER **AZ2842/3/4/5**

Electrical Characteristics

($V_{CC}=15V$, $R_T=10k\Omega$ $C_T=3.3nF$, $T_A= -40$ to $85^\circ C$, unless otherwise specified.)

Parameter	Symbol	Conditions	Min	Typ	Max	Unit
REFERENCE SECTION						
Reference Output Voltage	V_{REF}	$T_J=25^\circ C$, $I_{REF}=1mA$	4.95	5.00	5.05	V
Line Regulation	ΔV_{REF}	$12V \leq V_{CC} \leq 25V$		4	15	mV
Load Regulation	ΔV_{REF}	$1mA \leq I_{REF} \leq 20mA$		4	15	mV
Short Circuit Output Current	I_{SC}	$T_A=25^\circ C$		-100	-180	mA
Temperature Stability				0.2	0.4	mV/ $^\circ C$
Total Output Variation Range		Line, Load, Temperature	4.90		5.10	V
Output Noise Voltage		(Note 6)		50		μV
Long Term Stability		$T_A=85^\circ C$, 1000 hours		5	25	mV
OSCILLATOR SECTION						
Oscillation Frequency	f	$T_J=25^\circ C$	47	52	57	KHz
Frequency Change with Voltage	$\Delta f/f$	$12V \leq V_{CC} \leq 25V$		0.2	1	%
Oscillator Amplitude	V_{OSC}	Pin 4, peak to peak (Note 6)		1.7		V
Temperature Stability		(Note 6)		2.5		%
ERROR AMPLIFIER SECTION						
Input Bias Current	I_{BIAS}	(Note 6)		-0.1	-1	μA
Input Voltage	V_I	$V_{pin1}=2.5V$	2.45	2.50	2.55	V
Open Loop Voltage Gain	A_{VOL}	$2V \leq V_O \leq 4V$	65	90		dB
Power Supply Rejection Ratio	PSRR	$12V \leq V_{CC} \leq 25V$	60	70		dB
Output Sink Current	I_{SINK}	$V_{pin2}=2.7V$, $V_{pin1}=1.1V$	2	4		mA
Output Source Current	I_{SOURCE}	$V_{pin2}=2.3V$, $V_{pin1}=5V$	-0.5	-0.8		mA
High Output Voltage	V_{OH}	$V_{pin2}=2.3V$, $R_L=15k\Omega$ to GND	5	6		V
Low Output Voltage	V_{OL}	$V_{pin2}=2.7V$, $R_L=15k\Omega$ to Pin 8		0.8	1.1	V
CURRENT SENSE SECTION						
Gain	GV	(Note 4, 5)	2.85	3	3.15	V/V
Maximum Input Signal	$V_I(MAX)$	$V_{pin1}=5V$ (Note 4)	0.9	1	1.1	V
Power Supply Rejection Ratio	PSRR	$12V \leq V_{CC} \leq 25V$ (Note 4, 6)		70		dB
Input Bias Current	I_{BIAS}			-3	-10	μA
Delay to Output		$V_{pin3} = 0$ to $2V$ (Note 6)		150	300	ns
OUTPUT SECTION						
Low Output Voltage	V_{OL}	$I_{SINK} = 20mA$		0.1	0.4	V
		$I_{SINK} = 200mA$		1.4	2.2	V
High Output Voltage	V_{OH}	$I_{SOURCE} = 20mA$	13	14		V
		$I_{SOURCE} = 200mA$	12	13		V



CURRENT MODE PWM CONTROLLER **AZ2842/3/4/5**

Electrical Characteristics (Continued)

Parameter	Symbol	Conditions	Min	Typ	Max	Unit
Rise Time	t_R	$T_J=25^\circ\text{C}$, $C_L=1\text{nF}$ (Note 6)		50	150	ns
Fall Time	t_F	$T_J=25^\circ\text{C}$, $C_L=1\text{nF}$ (Note 6)		50	150	ns
UNDER -VOLTAGE LOCKOUT SECTION						
Start Threshold	$V_{TH(ST)}$	AZ2842/AZ2844	14.5	15.5	16.5	V
		AZ2843/AZ2845	7.8	8.4	9.0	V
Min. Operation Voltage (After Turn On)	V_{OPR} (Min.)	AZ2842/AZ2844	8.5	10.0	11.5	V
		AZ2843/AZ2845	7.0	7.6	8.2	V
PWM SECTION						
Max. Duty Cycle	D(Max.)	AZ2842/AZ2843	93	95	100	%
	D(Max.)	AZ2844/AZ2845	46	48	50	%
Min. Duty Cycle	D(Min.)				0	%
TOTAL STANDBY CURRENT SECTION						
Start-Up Current	I_{ST}			0.5	1	mA
Operating Supply Current	$I_{CC(OPR)}$	$V_{pin3}=V_{pin2}=0\text{V}$		10	14	mA
Zener Voltage	V_Z	$I_{CC}=25\text{mA}$	30	34		V
OVER-TEMPERATURE PROTECT SECTION						
Shutdown Temperature	T_{SHUT}	(Note 6)		165		$^\circ\text{C}$
Temperature Hysteresis	T_{HYS}	(Note 6)		25		$^\circ\text{C}$

Note 4: Parameters are tested at trip point of latch with $V_{pin2} = 0$.

Note 5: Here gain is defined as:

$$A = \frac{\Delta V_{Pin 1}}{\Delta V_{Pin 3}}, 0 \leq V_{pin3} \leq 0.8\text{V}$$

Note 6: These parameters, although guaranteed, are not 100% tested in production.

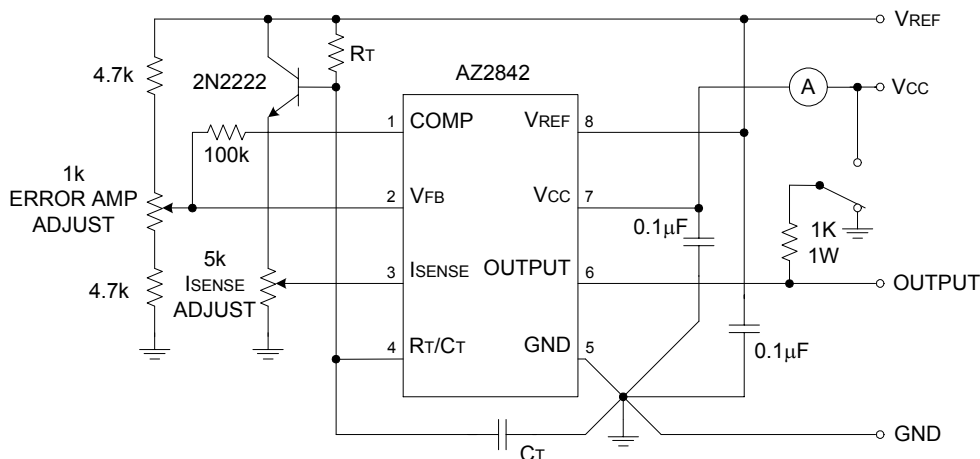


Figure 4. Basic Test Circuit



CURRENT MODE PWM CONTROLLER

AZ2842/3/4/5

Electrical Characteristics (Continued)

Figure 4 is the basic test circuit for AZ284X. In testing, the high peak currents associated with capacitive loads necessitate careful grounding techniques. Timing and bypass capacitors should be connected close to pin 5 in a single point ground. The transistor and 5k potentiometer are used to sample the oscillator waveform and apply an adjustable ramp to pin 3.

Typical Performance Characteristics

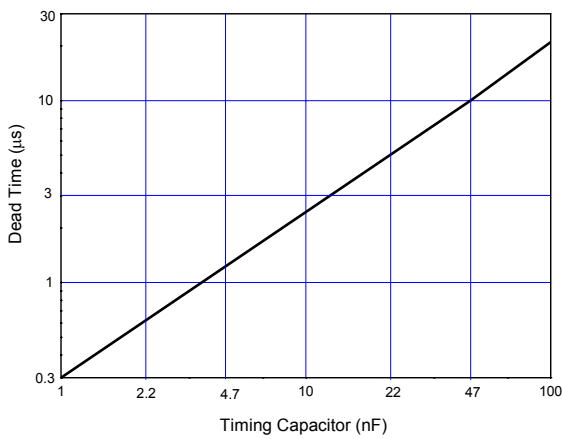


Figure 5. Oscillator Dead Time vs. Timing Capacitor

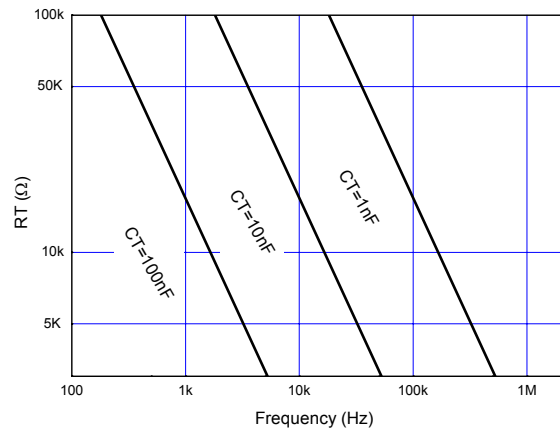


Figure 6. Timing Resistor vs. Frequency

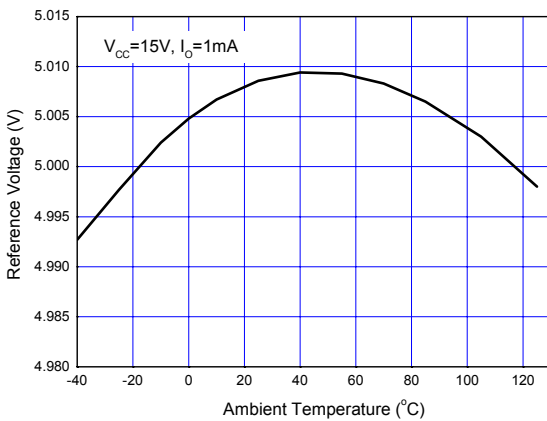


Figure 7. Reference Voltage vs. Ambient Temperature

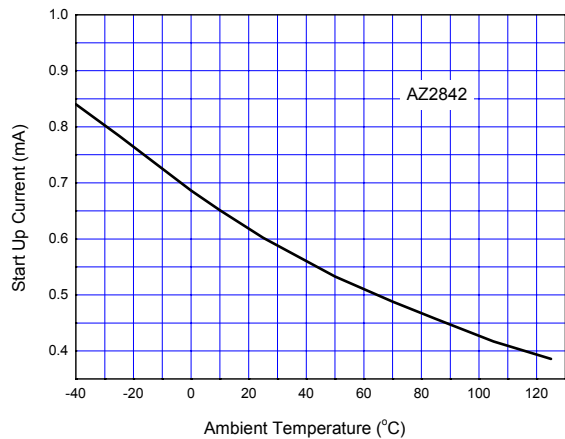


Figure 8. Start-up Current vs. Ambient Temperature



CURRENT MODE PWM CONTROLLER

AZ2842/3/4/5

Typical Performance Characteristics (Continued)

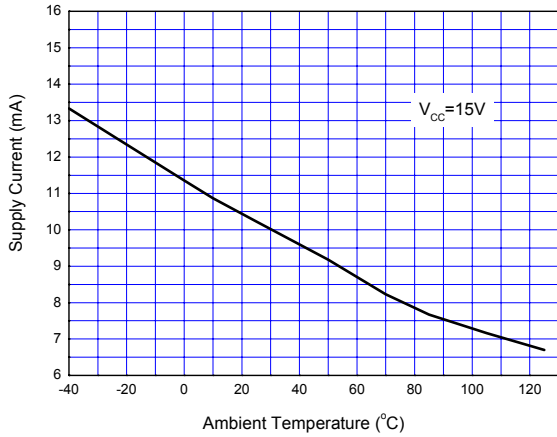


Figure 9. Supply Current vs. Ambient Temperature

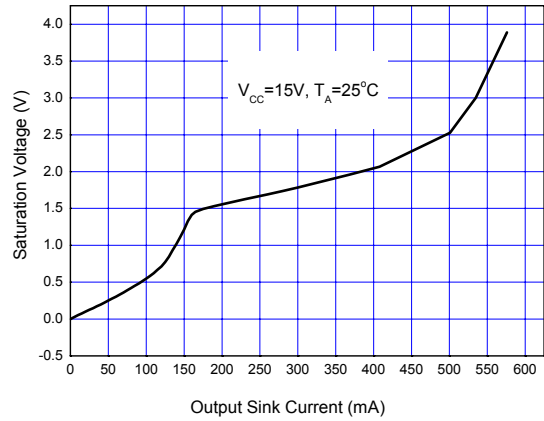


Figure 10. Output Saturation Characteristics

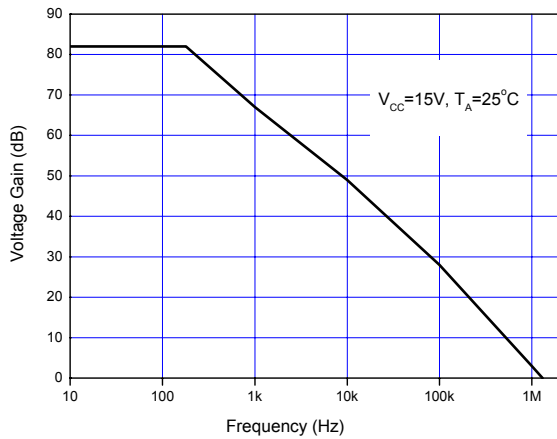


Figure 11. Error Amplifier Open-loop Frequency Response



CURRENT MODE PWM CONTROLLER

AZ2842/3/4/5

Typical Application

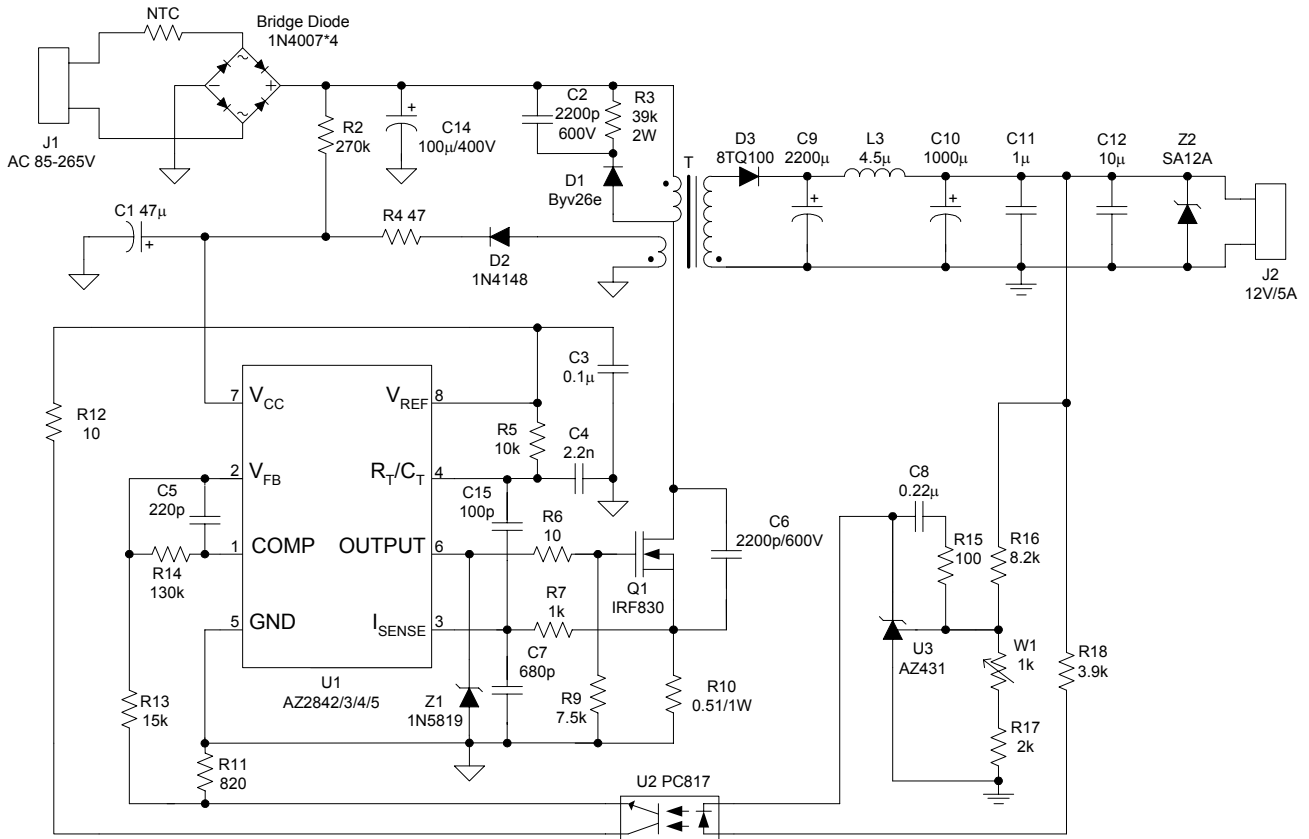


Figure 12. Typical Application of AZ2842/3/4/5



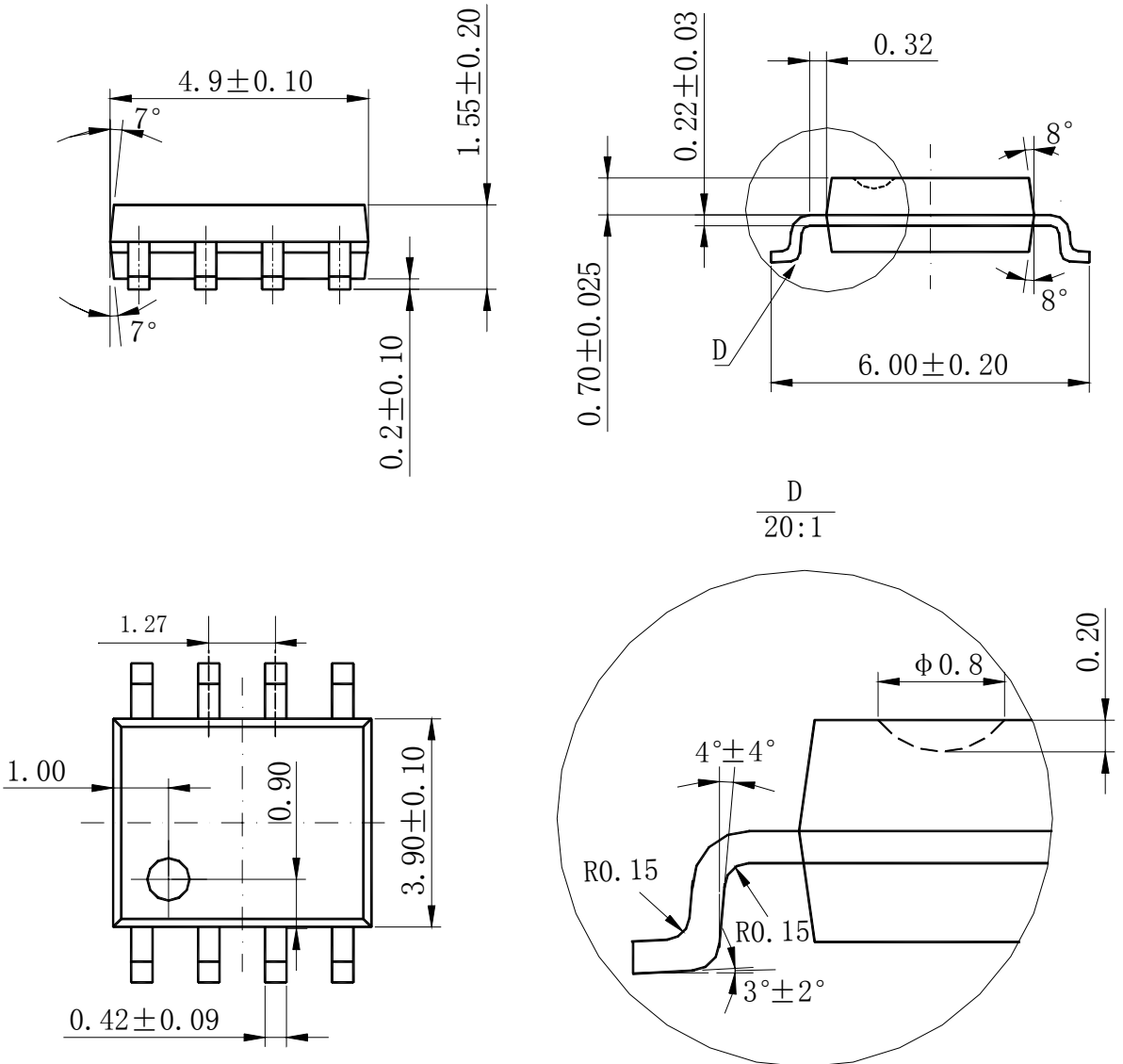
CURRENT MODE PWM CONTROLLER

AZ2842/3/4/5

Mechanical Dimensions

SOIC-8

Unit: mm





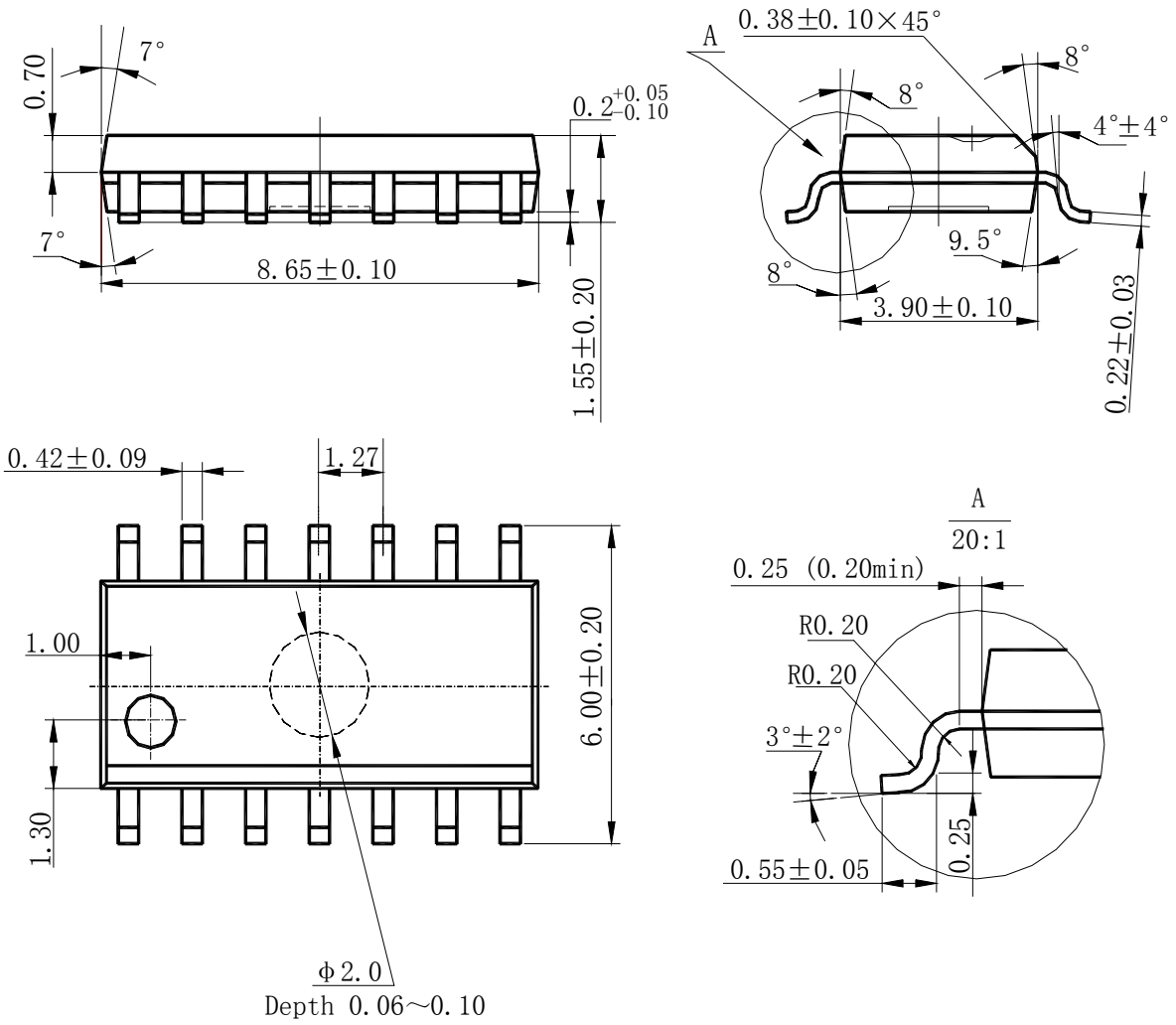
CURRENT MODE PWM CONTROLLER

AZ2842/3/4/5

Mechanical Dimensions (Continued)

SOIC-14

Unit: mm





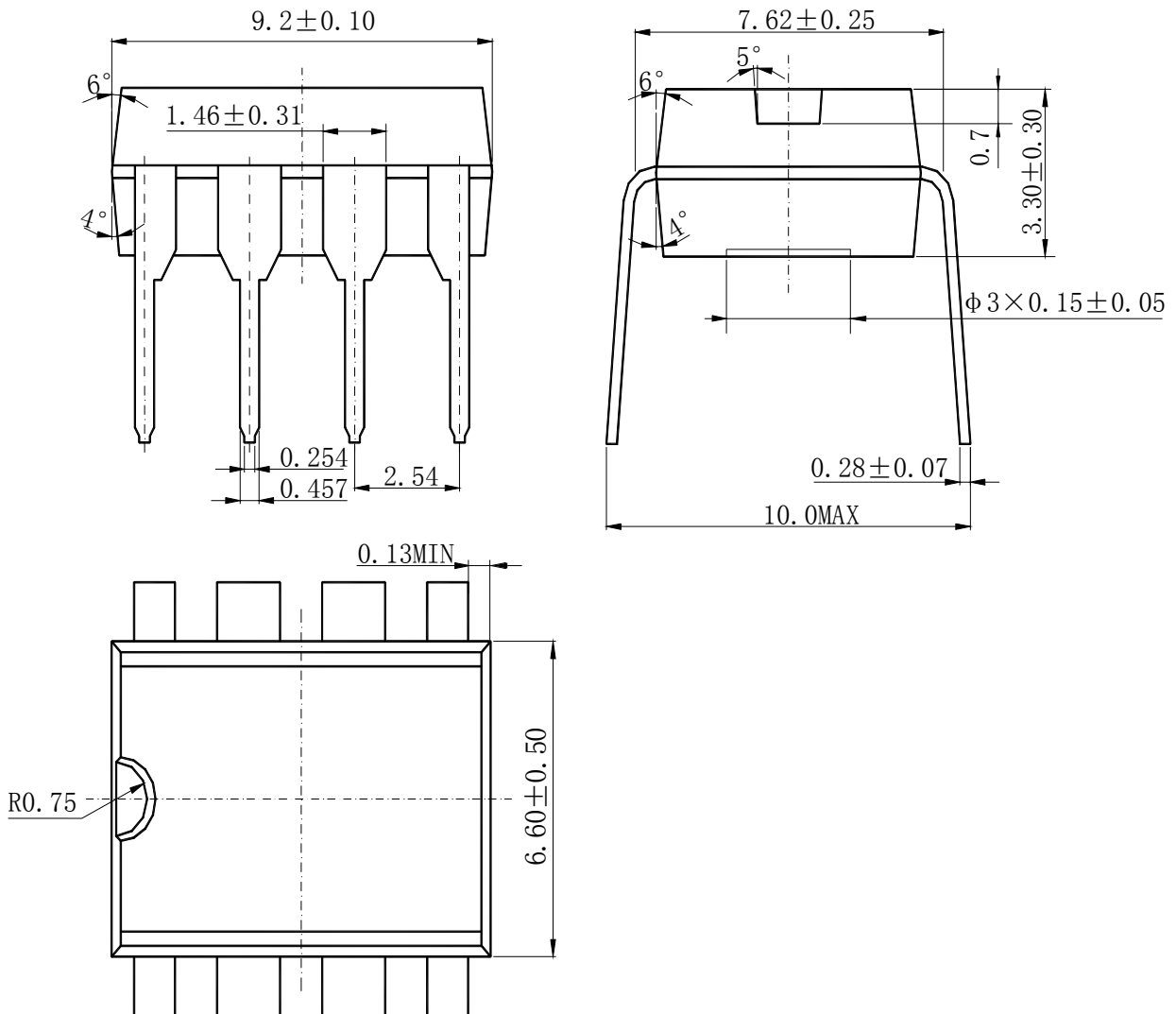
CURRENT MODE PWM CONTROLLER

AZ2842/3/4/5

Mechanical Dimensions (Continued)

DIP-8

Unit: mm





BCD Semiconductor Manufacturing Limited

<http://www.bcdsemi.com>

BCD Semiconductor Corporation

3170 De La Cruz Blvd, Suite # 105 Santa Clara, CA 95054-2411, U.S.A

Tel : +1-408-988 6388, Fax : +1-408-988 6386

Shanghai SIM-BCD Semiconductor manufacturing Co., Ltd.

800 Yi Shan Road, Shanghai 200233, PRC

Tel: +86-21-6485-1491, Fax: +86-21-5450-0008

Advanced Analog circuits (Shanghai) Corporation

8F, B Zone, 900 Yi Shan Road, Shanghai 200233, PRC

Tel: +86-21-6495 9539, Fax: +86-21-6485 9673

BCD Semiconductor (Taiwan) company Limited

Room 2210, 22nd Fl, 333, Keelung Road, Sec. 1, TaiPei (110), Taiwan

Tel: +886-2-2758 6828, Fax: +886-2-2758 6892

IMPORTANT NOTICE

BCD Semiconductor Manufacturing Limited reserves the right to make changes without further notice to any products or specifications herein. BCD Semiconductor Manufacturing Limited does not assume any responsibility for use of any its products for any particular purpose, nor does BCD Semiconductor Manufacturing Limited assume any liability arising out of the application or use of any its products or circuits. BCD Semiconductor Manufacturing Limited does not convey any license under its patent rights or other rights nor the rights of others.