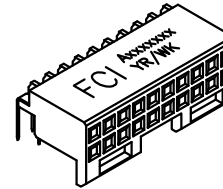
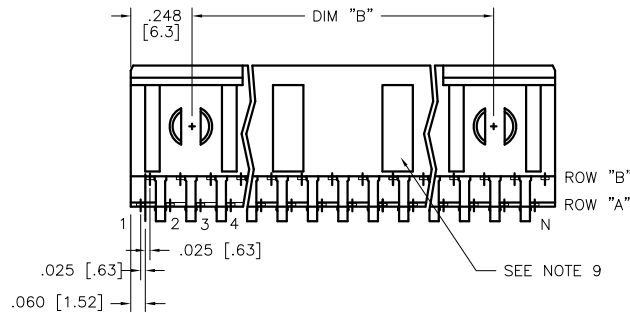
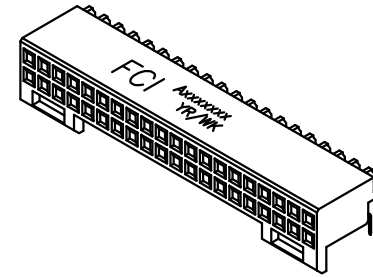
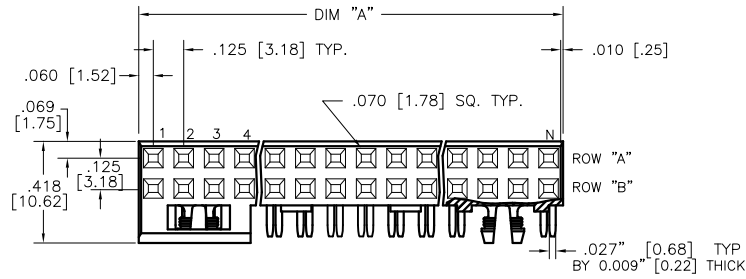


PRODUCT NUMBER
SEE TABLE



FEATURES:

- * END STACKABLE
- * SNAP-ON BOARD ASSEMBLY
- * STAGGERED TOP AND BOTTOM ROW LEADS TO PERMIT AUTOMATIC BOARD INSERTION
- * BIFURCATED CONTACT DESIGN (N/S ORIENTATION)
- * Ni UNDERPLATE SUITABLE FOR NO-CLEAN OPERATION
- * Sn OR SnPb PLATED CONTACT LEADS FOR SOLDERABILITY
- * INTENDED FOR USE ON .062/1.57 THICK PCB
- * INTENDED FOR USE ON .025/0.64 SQUARE PINS

SPECIFICATIONS-MECHANICAL:

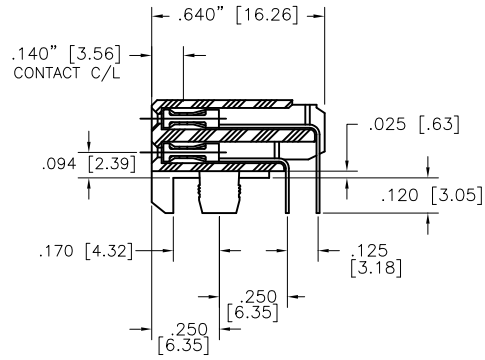
- * INSERTION FORCE - GOLD: 150 G/CONTACT MAX
- * INSERTION FORCE - SnPb: 200 G/CONTACT MAX
- * WITHDRAWAL FORCE: 20 G/CONTACT MIN
- * CONTACT RETENTION: 900 G/CONTACT MIN
- * CONTACT NORMAL FORCE: 120 G/CONTACT MIN
- * DURABILITY - GOLD: 200 CYCLES
- * DURABILITY - SnPb: 25 CYCLES
- * OPERATING TEMPERATURE: -55°C TO +85°C

SPECIFICATIONS-ELECTRICAL:

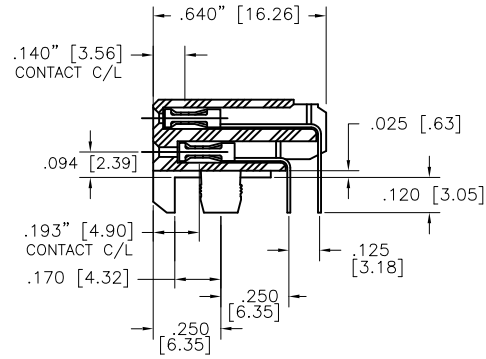
- * CURRENT RATING(CONTINUOUS): 2 AMPS/CONTACT MAX
- * CONTACT RESISTANCE: 20 MILLIOHMS MAX
- * INSULATION RESISTANCE: 5000 MEGOHMS MIN
- * DIELECTRIC WITHSTAND VOLTAGE: 1500V RMS

mat'l. code		surface		tolerance		projection		product family	
SEE NOTE 1		ASME Y14.5		ASME Y14.5		INCH/MM		NORCON	
ltr	ec'n no	dr	date	tolerances unless otherwise specified		INCH/MM		title	
L	V09-0115	HTB	2009-03-23	angles	.XX+01/XX+3	INCH/MM		PCB MOUNTED RECEPTACLES	
-	-	-	-	linear	XXX+005/XXX+13	scale N.T.S.		CBR05 DR .125" [3.18] GRID	
F	V05-0336	HTB	2005-04-11	0° ±2'	XXXX+0020/XXX+051	scale N.T.S.		dwg no	
G	V05-0860	HTB	2005-09-07	dr	T. BREWBAKER	2004-12-16		sheet 1 of 4	
H	V05-1156	HTB	2006-01-26	engr	T. BREWBAKER	2004-12-16		size	
J	V06-0662	JRV	2006-07-07	chr	T. BREWBAKER	2004-12-16		A4	
K	V07-0478	HTB	2007-07-18	appd	T. BREWBAKER	2004-12-16		type	
sheet		revision		L	L	L	L	CUSTOMER Drawing	
index		sheet		1	2	3	4		

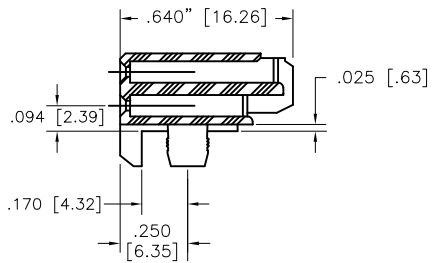
PRODUCT NUMBER
SEE TABLE



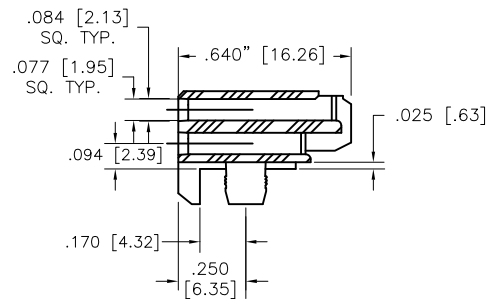
TYPE A
STANDARD WITH TERMINAL



TYPE B
STANDARD WITH
LAST MAKE/EARLY BREAK
TERMINAL



TYPE C
STANDARD WITHOUT TERMINAL



TYPE D
HOLLOWED-OUT
POSITION

mat'l. code		surface		tolerance		projection		product family	
SEE NOTE 1		ASME Y14.5		ASME Y14.5				NORCON	
ltr	ecn no	dr	date	tolerances unless otherwise specified				title	
L				angles	$.XX \pm .01 / X \pm .3$ $XXX \pm .005 / XXX \pm .13$			PCB MOUNTED RECEPTACLES	
				$0^\circ \pm 2'$	$XXXX \pm .0020 / XXX \pm .051$	scale N.T.S.		CBR05 DR .125" [3.18] GRID	
		dr	T. BREWBAKER	2004-12-16			dwg no		sheet 2 of 4
		engr	T. BREWBAKER	2004-12-16			54307		size
		chr	T. BREWBAKER	2004-12-16			FCI		A4
		appd	T. BREWBAKER	2004-12-16			type		CUSTOMER Drawing
sheet	revision								
index	sheet								

PRODUCT NO. NOTE 11	ENG. CODE	DESCRIPTION	DIM "A"	DIM "B"	DIM "C" ±.003/.08	DIM "F" ±.003/.08	DIM "G" ±.003/.08	CONTACT FINISH	NOTES
A0326626	CBR05A020A	20 POS.(2x10)	1.245/31.62	.750/19.05	1.125/28.58	.750/19.05	1.250/31.75	30u"/0.76u Au	2 OBS.
A0326626LF	-	20 POS.(2x10)	1.245/31.62	.750/19.05	1.125/28.58	.750/19.05	1.250/31.75	30u"/0.76u Au	2
A0326627	CBR05A040A	40 POS.(2x20)	2.495/63.37	2.000/50.80	2.375/60.33	2.000/50.80	2.500/63.50	30u"/0.76u Au	3 OBS.
A0326627LF	-	40 POS.(2x20)	2.495/63.37	2.000/50.80	2.375/60.33	2.000/50.80	2.500/63.50	30u"/0.76u Au	3
A0336758	CBR05B040	40 POS.(2x20)	2.495/63.37	2.000/50.80	2.375/60.33	2.000/50.80	2.500/63.50	75u"/1.91u SnPb	OBS.
A0381049	CBR05B020	20 POS.(2x10)	1.245/31.62	.750/19.05	1.125/28.58	.750/19.05	1.250/31.75	75u"/1.91u SnPb	OBS.
A0600983	CBR05A040A1	40 POS.(2x20)	2.495/63.37	2.000/50.80	2.375/60.33	2.000/50.80	2.500/63.50	30u"/0.76u Au	4
A0600983LF	-	40 POS.(2x20)	2.495/63.37	2.000/50.80	2.375/60.33	2.000/50.80	2.500/63.50	30u"/0.76u Au	4 OBS.
A0619623	CBR05D34	40 POS.(2x20)	2.495/63.37	2.000/50.80	2.375/60.33	2.000/50.80	2.500/63.50	75u"/1.91u SnPb	5 OBS.
A0626590	CBR05B040L1	40 POS.(2x20)	2.495/63.37	2.000/50.80	2.375/60.33	2.000/50.80	2.500/63.50	75u"/1.91u SnPb	6 OBS.
A0626591	CBR05B040L2	40 POS.(2x20)	2.495/63.37	2.000/50.80	2.375/60.33	2.000/50.80	2.500/63.50	75u"/1.91u SnPb	7
A0637518	CBR05B040L5	40 POS.(2x20)	2.495/63.37	2.000/50.80	2.375/60.33	2.000/50.80	2.500/63.50	75u"/1.91u SnPb	8 OBS.

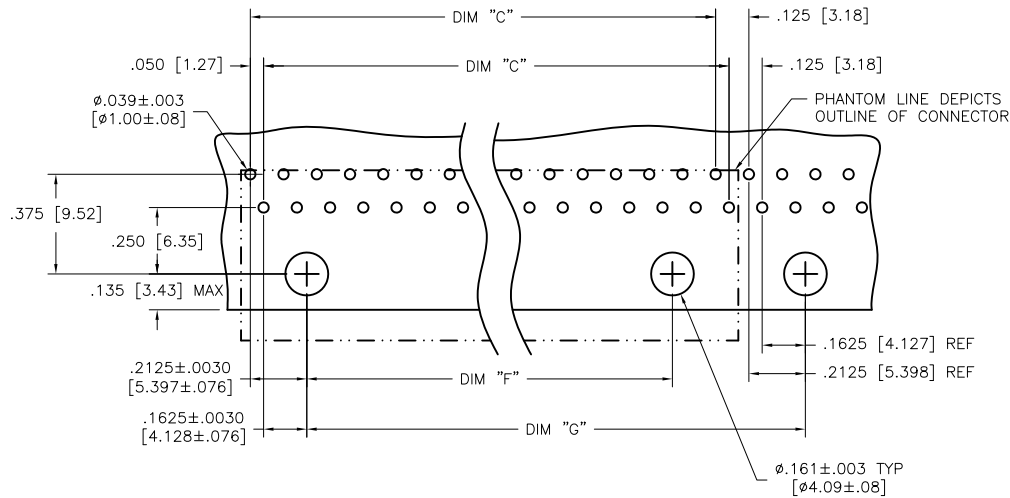
NOTES:

- ①. HOUSING MATERIAL: PBT, GLASS FIBER REINFORCED, FLAME RETARDANT PER UL 94V-0, COLOR: BLACK.
TERMINAL MATERIAL: CA510 ALLOY
CONTACT FINISH: SEE TABLE
CONTACT UNDERPLATE: 100u" / 2.54um SnPb
SOLDER TAIL FINISH: 100u" / 2.54um SnPb
LF SOLDER TAIL FINISH: 100u" / 2.54um Sn
OVERALL UNDERPLATE: 20u" / 0.51um Ni
- ②. TAIL STYLE: MANUAL, PACK TYPE (QTY/CARTON): TRAY-800.
- ③. TAIL STYLE: MANUAL, PACK TYPE (QTY/CARTON): TRAY-400.
- ④. TYPE B LOCATION: B5
TYPE A LOCATIONS: ALL OTHERS
- ⑤. TYPE A LOCATIONS: A11, A15, A20, B6, B7, B8, B10
TYPE D LOCATIONS: ALL OTHERS
- ⑥. TYPE A LOCATIONS: A1, A2, A5, A6, A7, A13, A14, B2, B5, B6, B7, B13, B18, B19.
TYPE C LOCATIONS: ALL OTHERS
- ⑦. TYPE A LOCATIONS: ALL ROW A, B1, B2, B20
TYPE C LOCATIONS: ALL OTHERS
- ⑧. TYPE A LOCATIONS: A1, A5, A6, A7, A14.
TYPE D LOCATIONS: ALL OTHERS
- ⑨. STANDOFFS ON 2x40 ONLY.
- 10. PACKAGING:
ANTI-STATIC TRAYS

- ⑪. PART NUMBERS WITH AN "LF" SUFFIX MEETS EUROPEAN UNION DIRECTIVES AND OTHER COUNTRY REGULATIONS AS DESCRIBED IN GS-22-008.
THESE PARTS HAVE Sn PLATED TAILS.
- 12. THE HOUSING WILL WITHSTAND EXPOSURE TO 260°C PEAK TEMPERATURES FOR 5 SECONDS IN A WAVE SOLDER APPLICATION WITH A .062" [1.57MM] THICK CIRCUIT BOARD.

mat'l. code SEE NOTE 1		surface ASME Y14.5 <input checked="" type="checkbox"/>		tolerance ASME Y14.5		projection 		product family NORCON	
ltr	ecn no	dr	date	tolerances unless otherwise specified				title PCB MOUNTED RECEPTACLES CBR05 DR .125" [3.18] GRID	
L				angles	XX+01/XX+3	INCH/MM		dwg no sheet 3 of 4 size 54307 A4	
				0° ±2'	XXX+005/XX+13	scale N.T.S.		type CUSTOMER Drawing	
				inset	XXXX+0020/XXX+051				
		dr	T. BREWBAKER	2004-12-16					
		engr	T. BREWBAKER	2004-12-16					
		chr	T. BREWBAKER	2004-12-16					
		appd	T. BREWBAKER	2004-12-16					
sheet index	revision sheet								

PRODUCT NUMBER
SEE TABLE



mat'l. code		surface		tolerance		projection		product family	
SEE NOTE 1		ASME Y14.5		ASME Y14.5				NORCON	
ltr	ecn no	dr	date	tolerances unless otherwise specified		INCH/MM		title	
L				angles	$.XX+01/XX+3$ $XXX+005/XXX+13$			PCB MOUNTED RECEPTACLES CBR05 DR .125" [3.18] GRID	
				0° ±2'	XXXX+0020/XXX+051	scale N.T.S.		dwg no	
		dr	T. BREWBAKER	2004-12-16				sheet 4 of 4 size	
		engr	T. BREWBAKER	2004-12-16				54307 A4	
		chr	T. BREWBAKER	2004-12-16				type	
		appd	T. BREWBAKER	2004-12-16				CUSTOMER Drawing	
sheet index	revision sheet								