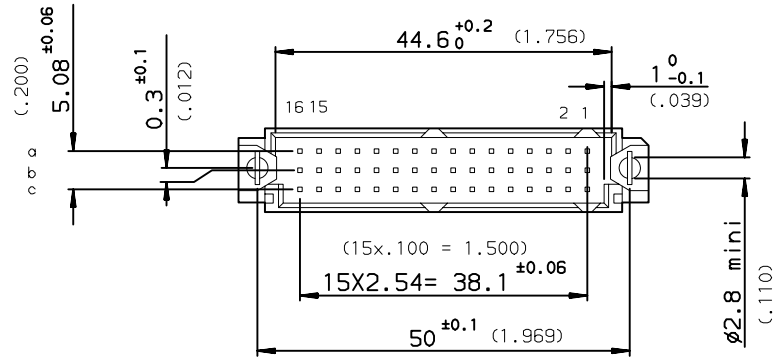
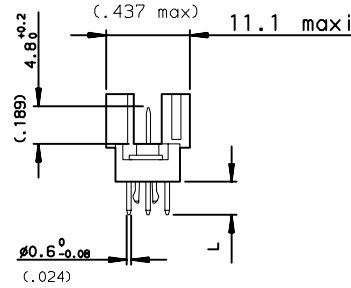
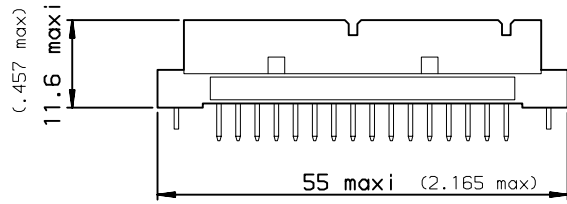
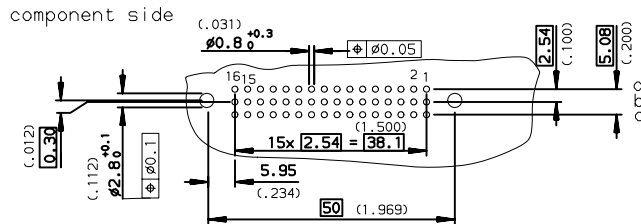


DIMENSIONS mm (inches)



PART NUMBER	8609			76				5
PIN OUT								
rows a-b-c				3				48
rows a-c				4				32
NUMBER OF CONTACTS								
TERMINATION								
L = 2.70 ±0.25 (.106)								24
L = 4.65 ±0.25 (.183)								14
OPTIONS								
no option								7
with harpoons								H
								A
								R
PERFORMANCE CLASS								
DIN 41612 class 3								4
DIN 41612 class 2								5
DIN 41612 class 1								6
TERMINATION TYPE								
TIN LEAD								000E1
LEAD FREE								E1LF

PCB DRILLING



GENERAL CHARACTERISTICS AND ROHS INFORMATIONS:

SEE DRAWING C-8609-0000A

European Views

www.fciconnect.com		surface	tolerance std	projection	mm
		ISO 1302 ✓	ISO 406 ISO 1101		
TOLERANCES UNLESS OTHERWISE SPECIFIED					
		ANGULAR	LINEAR	size	Scale
		0.xx' ±2'	0.X ±0.1	A3	1.5
			0.XX ±0.1	ECN	LS08-0036
			0.XXX ±0.1	Spec ref	-
Dr	ROUILLARD	1992/07/07			
Eng	TARON	1992/07/07			
Chr	LEGARE	1992/07/07			
Appr	LEGARE	1992/07/07	Product family	DIN 8609	
		Title		dwg no	Rev.
		STRAIGHT MALE - STYLE R/2		C-8609-0278	E
		SOLDER TO BOARD			
		catalog no		CUSTOMER	sheet 1 of 1

rev	ecn no	dr	date
B	-	ROU	1996/02/20
C	LS05-001	JTA	2005/03/01
D	LS06-0095	LGO	2006/07/21
E	LS08-0036	HLE	2008/01/31
-	-	-	-
-	-	-	-
-	-	-	-