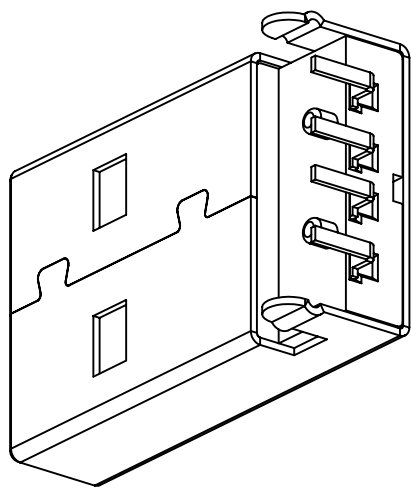
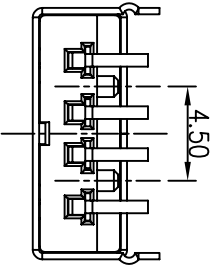
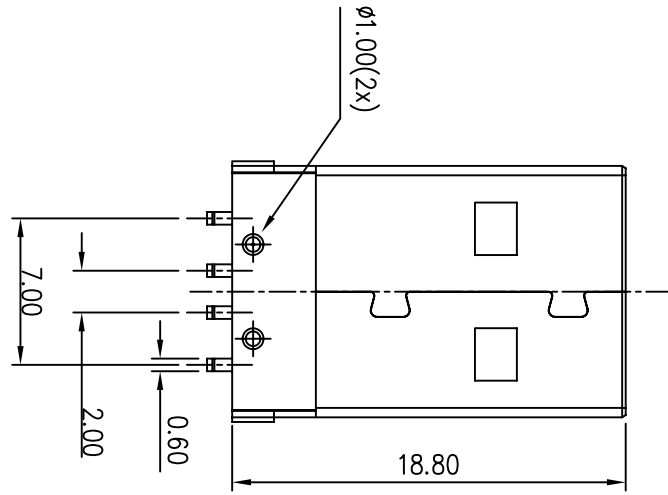
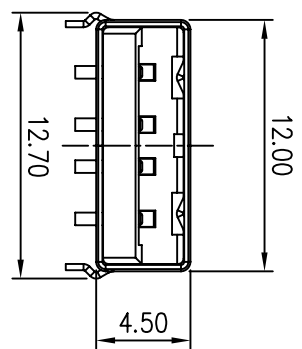
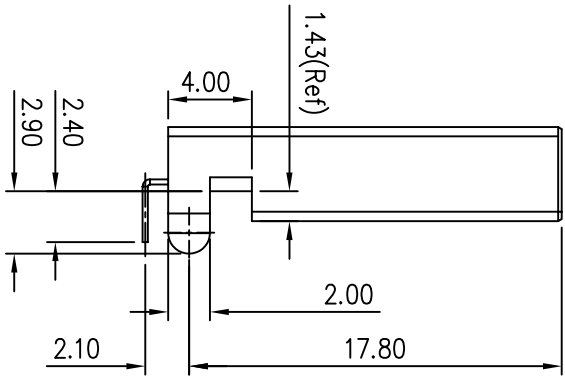


PROD NO
SEE SHEET 2/2



mat'l. code		dr		ddate		tolerances unless otherwise specified		CUSTOMER		title	
ecm no		j.c		10/28/03		.X ±.30		COPY		USB A TYPE PLUG (DIP)	
A 103-0478		W.L		10/31/05		.XX ±.20		projection		product family	
B 105-0246		angles		0° ±.3°		±.10		MM		USB	
		dr		JASMINE CHANG		10/2/03		scale		code	
		enfr		ALLEN CHANG		10/2/03		N/A		size	
		chr		ROGER LIN		10/2/03				sheet	
		appd		JAMES HSU		10/2/03				1 of 2	
sheet		revision		B		B					
index		sheet		1		2					

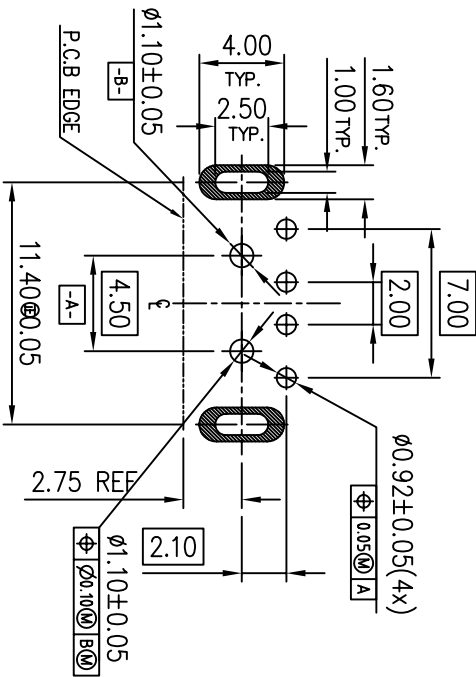
ACAD

code code
22526

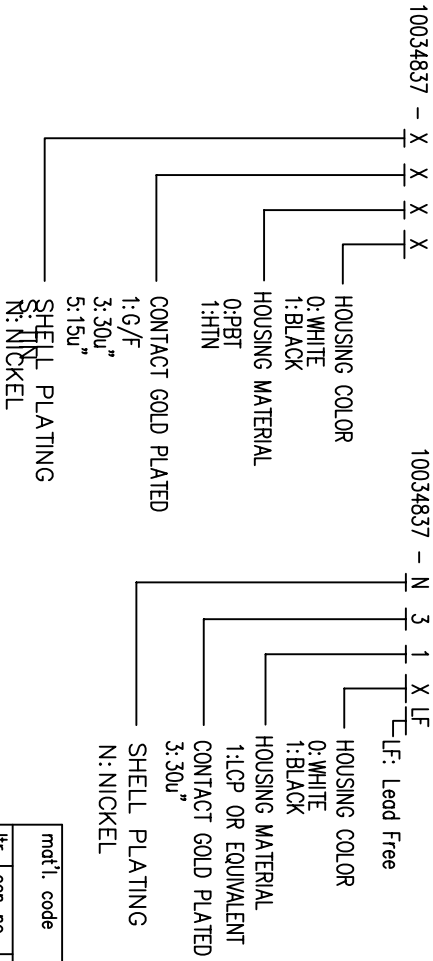
NOTES:

- 1.MATERIAL:
SHELL: SPCC
HOUSING: THERMOPLASTIC, GLASS FIBER FILLED.
UL 94V-0 RATED.
- CONTACT: COPPER ALLOY
- 2.PLATING:
SHELL : S: TIN PLATED WITH CU UNDERPLATE.
N: NICKEL PLATED WITH CU UNDERPLATE.
CONTACT : UNDERPLATED NICKEL OVER ALL.
TIN/LEAD IN SOLDERING AREA,
SELECTIVE GOLD PLATED IN CONTACT AREA.
- 3.PRODUCT SPEC NO: GS-12-265.
PACKAGE SPEC NO: GS-14-874.
- 4.PRODUCT NO. DESCRIPTION

5. 10034837-N31XLF: THE HOUSING WILL WITHSTAND EXPOSURE TO 260° PEAK TEMPERATURE FOR 10 SECONDS IN A WAVE SOLDER APPLICATION.



RECOMMENDED PCB LAYOUT
(COMPONENT SIDE) THICKNESS=1.2~1.6mm
GENERAL TOLERANCE±0.05mm



mat'l. code	ecrn no	dr	ddate	tolerances unless otherwise specified	CUSTOMER COPY	title
B				.X ±.30 .XX ±.20 .XXX ±.10 0° ±.3°	projection	USB A TYPE PLUG (DIP)
sheet	revision			dr JASMINE CHANG 10/2/03'	MM	product family USB
index				engr ROGER LIN 10/2/03'	scale	size dwg no 10034837
				appd JAMES HSU 10/2/03'	N/A	code
						sheet 2 of 2