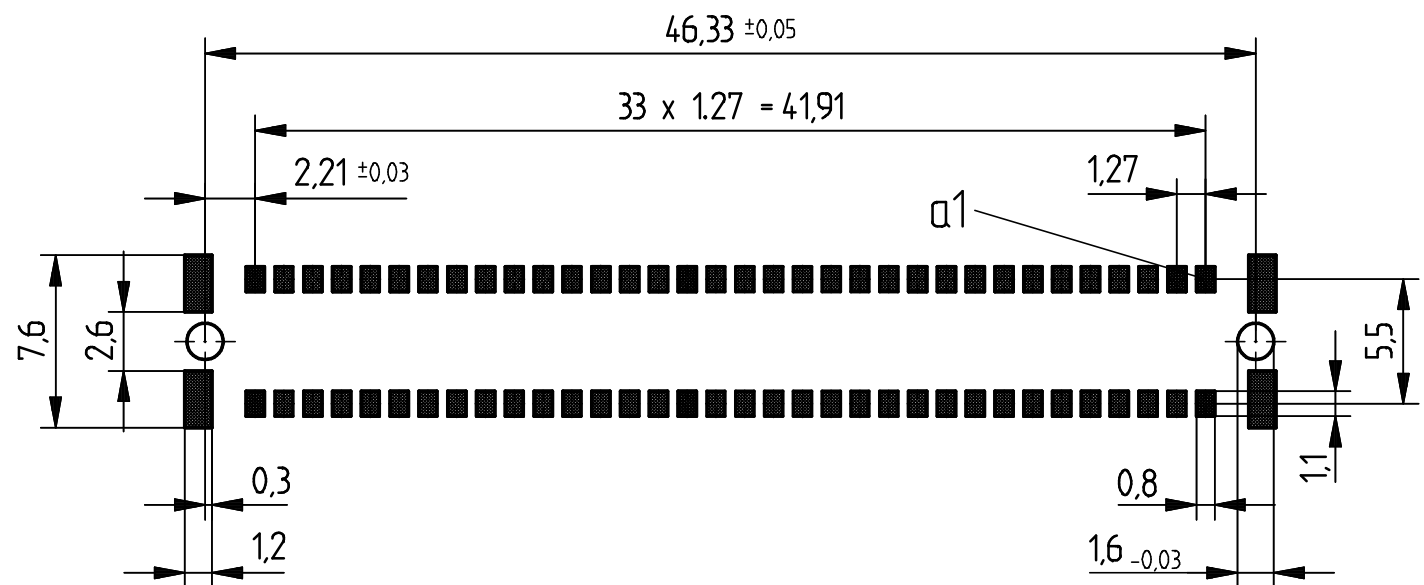
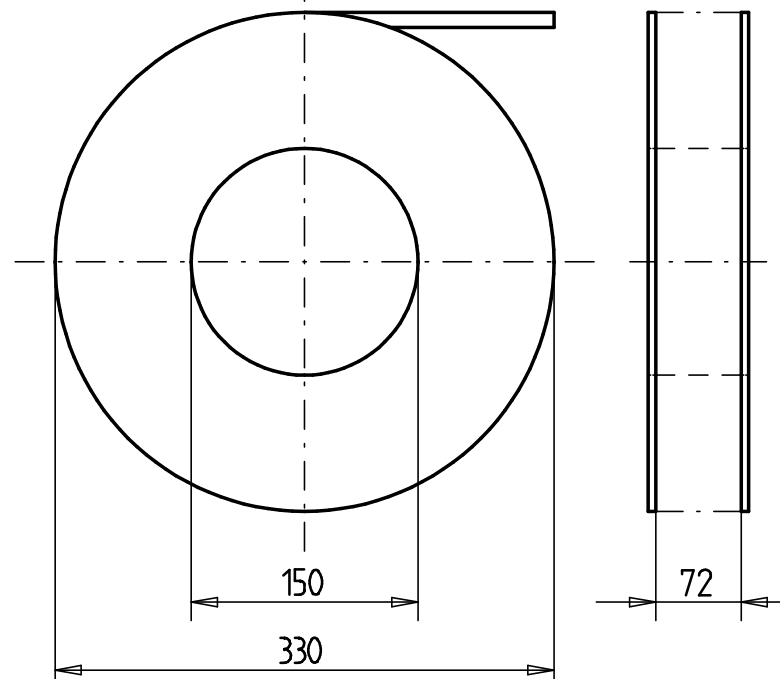


Anforderungsstufe 1
 Performance Level 1
 Kontaktbereich vergoldet
 Mating Area gold plating
 Anschlussbereich verzinkt 4-6 µm
 Terminal Area 4-6 µm tin plating
 Koplanarität der Anschlüsse ≤ 0.1mm
 Coplanarity Area of Termination ≤ 0.1 mm

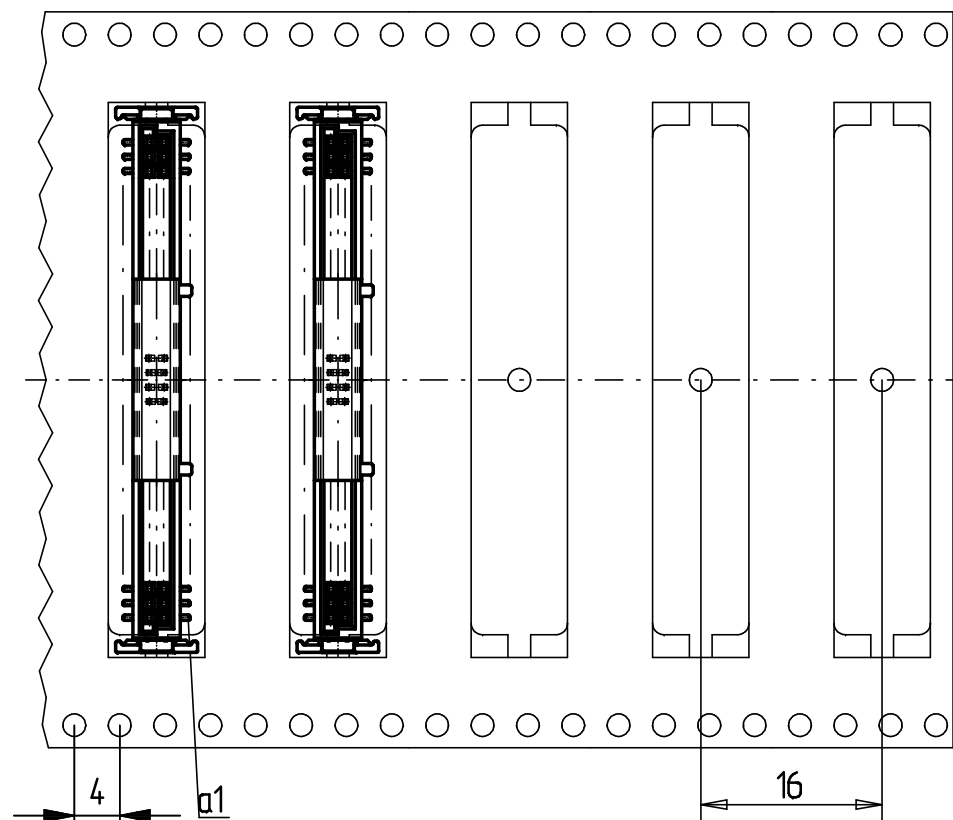
Leiterplatten-Layout Vorschlag für SMT - PCB-Layout Proposal for SMT



Verpackt in Gurtverpackung - Tape on Reel Packaging
 Verpackungseinheit: 280 Stück - Packaging unit: 280 pcs



Abspulrichtung - Reel off Direction



Standard Bauhöhe
 Standard Assembly Height

Information: All rights reserved. Only for information. To insure that this is the latest version of this drawing, please contact one of the ERNI companies before using.	Tolerances All Dimensions in mm	Scale
	Subject to modification without prior notice. Drawing will not be updated.	Designation Federleiste SMC-B, 68 polig Fem. Conn. SMC-B, 68 contacts
Consider protection memo from DIN 34 a Index	03.03.2010 Date	www.ERNI.com 100300760007 SMCB
0-00069227.SZA		K1