

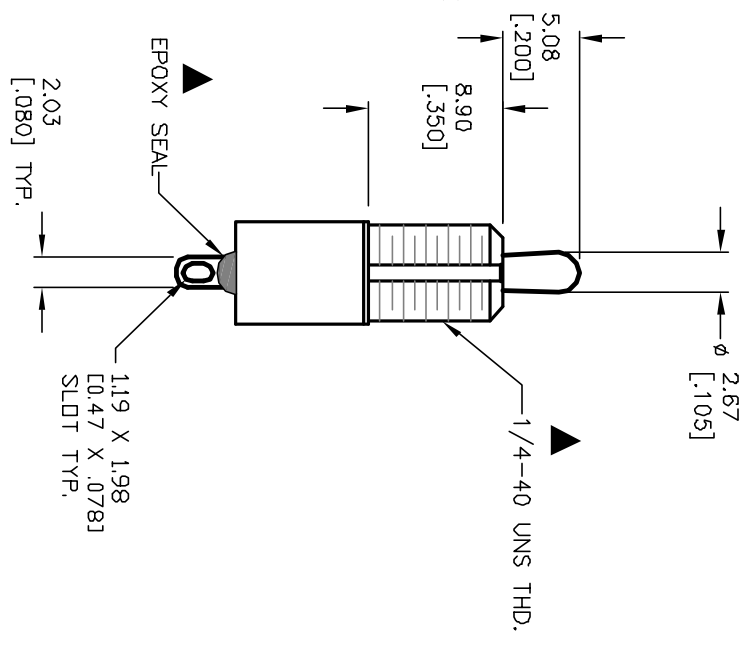
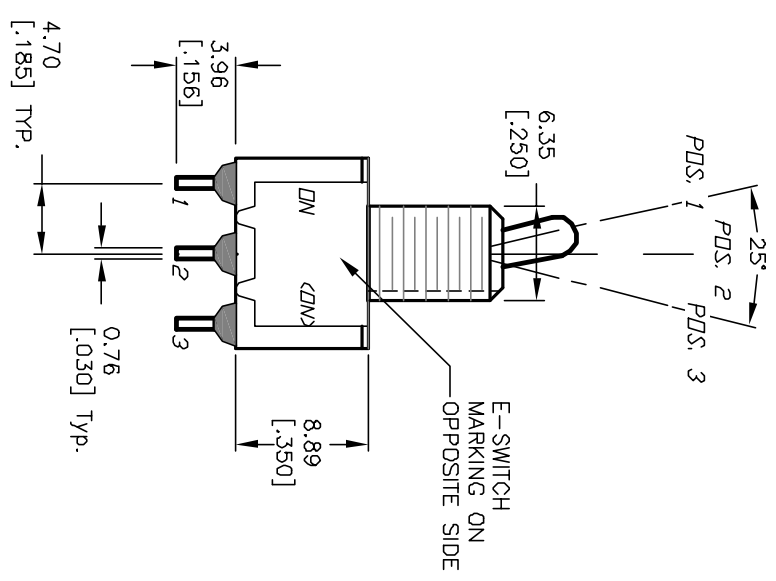
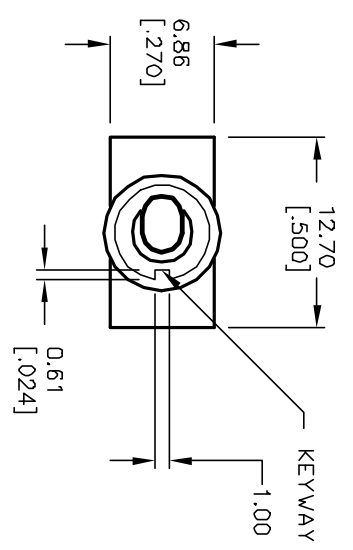
CIRCUIT: SPDT

| SWITCH FUNCTION | | |
|-----------------|--------|--------|
| PDS. 1 | PDS. 2 | PDS. 3 |
| | | |
| 2-3 | DPEN | 2-1 |

< > =Momentary

NOTES:

1. ALL DIMENSIONS IN MM [INCH]
2. GENERAL TOLERANCE: X.X=±0.4 X:XX=±0.25
3. TERM. NOS. FOR REF. ONLY
4. RATING: 0.4V @20V AC or DC max.
5. FIXED TERMINAL/MOVING CONTACT: Copper Alloy /w GOLD plate over Nickel plate.
6. ELECTRICAL LIFE: 50,000 make-and-break cycles at full load.
7. INSULATION RESISTANCE: 1,000M ohm min.
8. DIELECTRIC STRENGTH: 1000V RMS @sea level
9. OPERATING TEMP.: -30°C to 85°C



E-SWITCH®

100 SP-2 T2 B1 M1 R E

| | | | | |
|--------------|-------|-------------------------|---------|-------|
| REV. A | 12166 | RELEASED FOR PRODUCTION | 5/20/02 | CJB |
| REV. ECN No. | | DESCRIPTION | DATE | CHK'D |

| | | | | | |
|-----------------------|-------|---------|-----|---------|-----|
| TITLE | SCALE | DATE | DR | DWG | REV |
| 100 SP-2 T2 B1 M1 R E | 2:1 | 5/20/02 | CJB | T112000 | A |

THE INFORMATION CONTAINED IN THIS DOCUMENT IS PRELIMINARY TO E-SWITCH AND IS NOT TO BE COPIED OR TRANSMITTED