



## RC2000C-S Series

Common Mode Reactor

Single phase 2 lines/Length mounted type



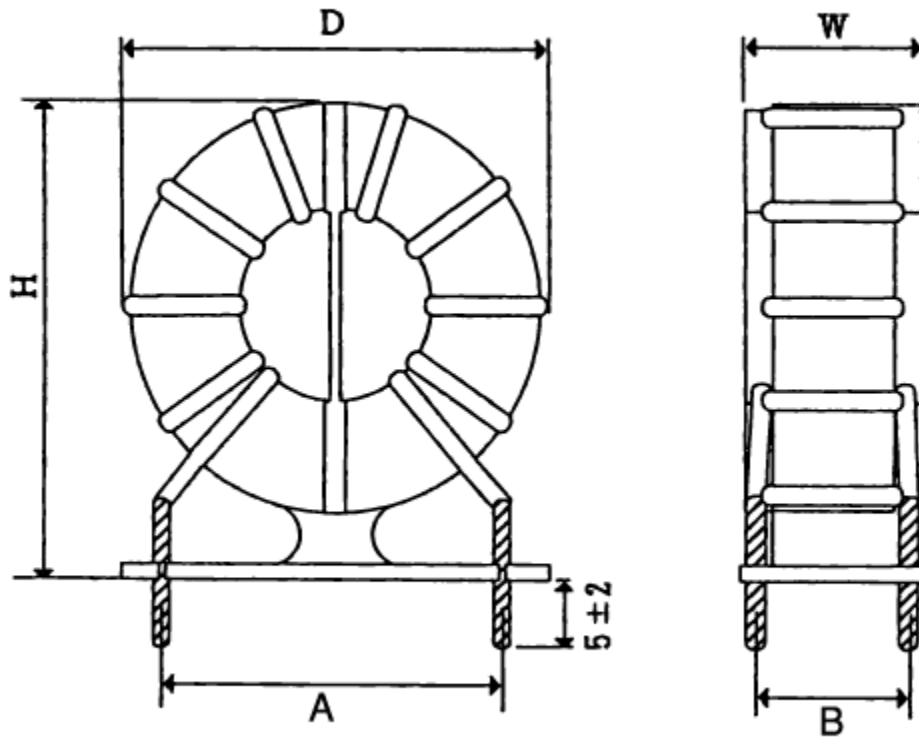
### Application

Noise suppression for Switching power supply/Inverter

### Specifications

RC2000C-SA Series									
Parts No.	Rated Voltage[VAC]	Rated Current[A]	Inductance[mH typ]	Resistance[m ohm max]	Dimension[mm]				
					D	W	H	A	
RC2003C-SA	250/500	3	1	70	25	20	27	10	
RC2005C-SA		5	1	50	25	20	27	10	
RC2010C-SA		10	1	30	37	25	35	18	
RC2015C-SA		15	1	20	37	25	35	18	
RC2000C-SB Series									
Parts No.	Rated Voltage[VAC]	Rated Current[A]	Inductance[mH typ]	Resistance[m ohm max]	Dimension[mm]				
					D	W	H	A	
RC2003C-SB	250	3	2	80	25	20	27	10	
RC2005C-SB		5	2	70	37	25	35	18	
RC2010C-SB		10	2	40	37	25	35	18	
RC2000C-SC Series									
Parts No.	Rated Voltage[VAC]	Rated Current[A]	Inductance[mH typ]	Resistance[m ohm max]	Dimension[mm]				
					D	W	H	A	
RC2003C-SC	250	3	3	100	25	20	27	10	
RC2005C-SC		5	3	70	37	25	35	18	
RC2000C-SD Series									
Parts No.	Rated Voltage[VAC]	Rated Current[A]	Inductance[mH typ]	Resistance[m ohm max]	Dimension[mm]				
					D	W	H	A	
RC2005C-SD	250	5	5	80	37	25	35	18	

Fig



▶ Pro