

(2,54 mm) .100"

PEC SERIES

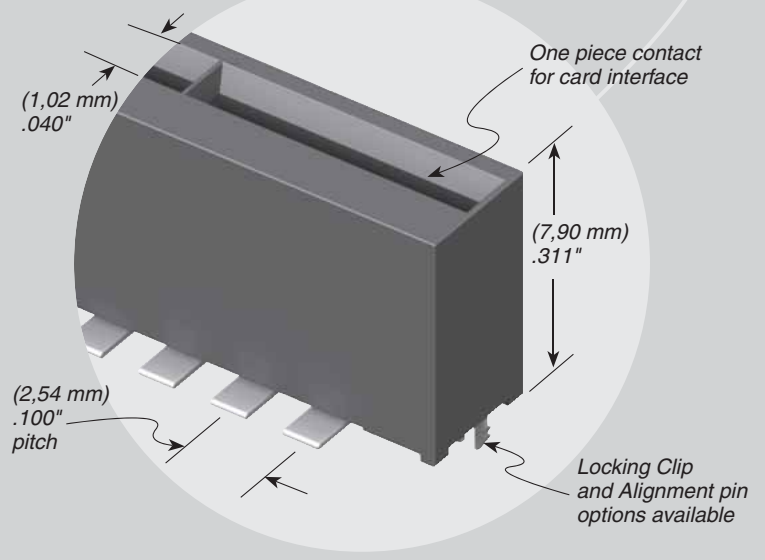
# POWER EDGE CARD CONNECTOR

## SPECIFICATIONS

For complete specifications and recommended PCB layouts see [www.samtec.com?PEC](http://www.samtec.com?PEC)

- Insulator Material:**  
Black Liquid Crystal Polymer
- Contact Material:**  
BeCu
- Plating:**  
Sn over 50µ" (1,27 µm) Ni
- Current Rating:**  
7.5 A per pin  
(1 pin powered)
- Operating Temp Range:**  
-55°C to +105°C
- Voltage Rating:**  
250 VAC
- RoHS Compliant:**  
Yes

- Processing:**  
Lead-Free Solderable:  
Yes
- SMT Lead Coplanarity:**  
(0,10 mm) .004" max



## RECOGNITIONS

For complete scope of recognitions see [www.samtec.com/quality](http://www.samtec.com/quality)



| PEC | NO. PINS PER ROW     | LEAD STYLE   | PLATING OPTION           | S | OPTION   |
|-----|----------------------|--|--------------------------|---|--|
|     | <b>-03, -07, -10</b> | <b>-01</b><br>= Straight Tail<br><br><b>-02</b><br>= Surface Mount | <b>-T</b><br>= Matte Tin |   | <b>-A</b><br>= Alignment Pin<br>(N/A with -LC)<br><br><b>-LC</b><br>= Locking Clip<br>(Manual placement required)<br>(N/A with -A) |

| NO. OF POSITIONS | A                | B                | C               |
|------------------|------------------|------------------|-----------------|
| -03              | (12,70)<br>.500  | (11,43)<br>.450  | N/A             |
| -07              | (22,86)<br>.900  | (21,59)<br>.850  | (8,89)<br>.350  |
| -10              | (30,48)<br>1.200 | (29,21)<br>1.150 | (11,43)<br>.450 |

**Note:** Some sizes, styles and options are non-standard, non-returnable.

*Due to technical progress, all designs, specifications and components are subject to change without notice.*

**WWW.SAMTEC.COM**