

Peak Emission Wavelength: 340nm

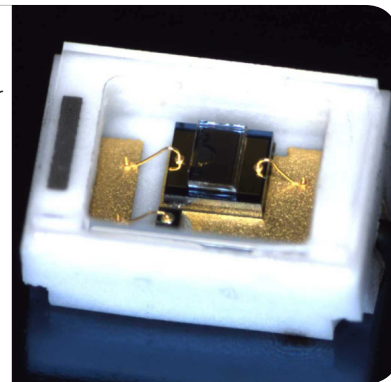
The MTE340SMD-UV UV emitter is a specifically designed for applications requiring high radiant power output and accuracy in a SMD package with a special UV glass lens for optimum life time and device performance. Custom package solutions and sorting are available.

FEATURES

- > 3.0x2.0x1.45 Ceramic SMD
- > High Reliability
- > Wide Viewing Angle

APPLICATIONS

- > UV Curing
- > Light Therapy
- > Drug Discovery / Optical Sensor



Absolute Maximum Ratings (Ta=25°C)

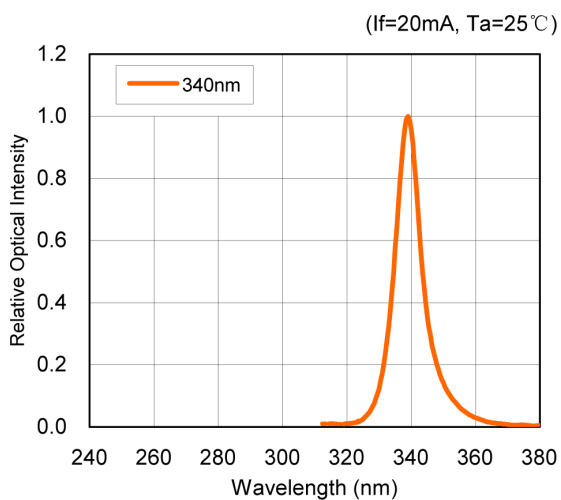
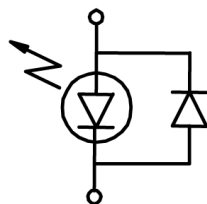
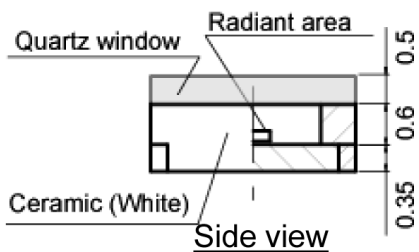
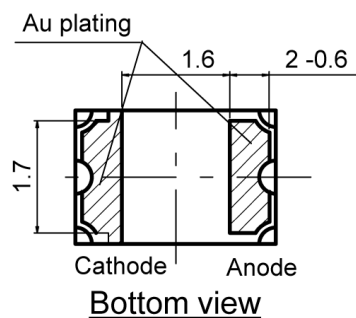
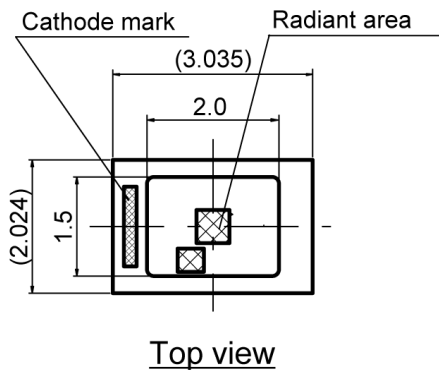


ITEMS	SYMBOL	RATINGS	UNIT
Forward Current	IF	40	mA
Operating Temperature	Topr	-20 ~ +80	°C
Storage Temperature	Tstg	-30 ~ +85	°C
Soldering Temperature*1	Tsol	260	°C

*1: Within 5 seconds. *2: Ready for automated reflow machine process.

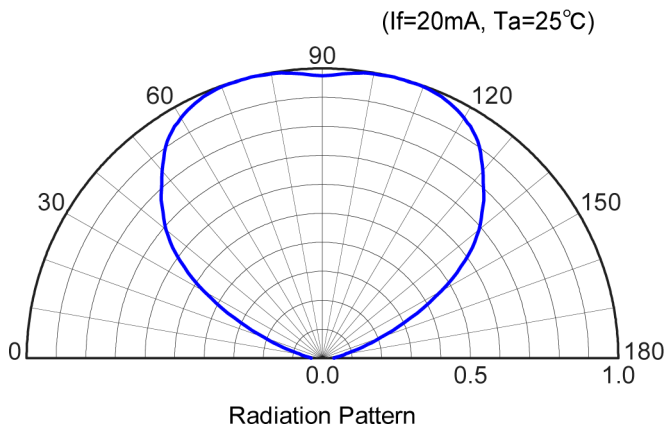
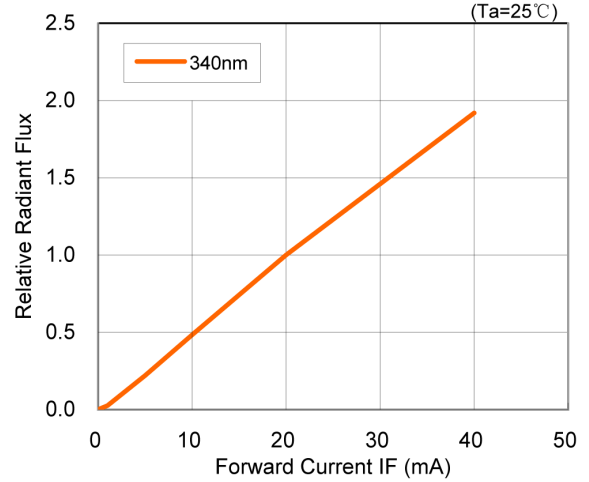
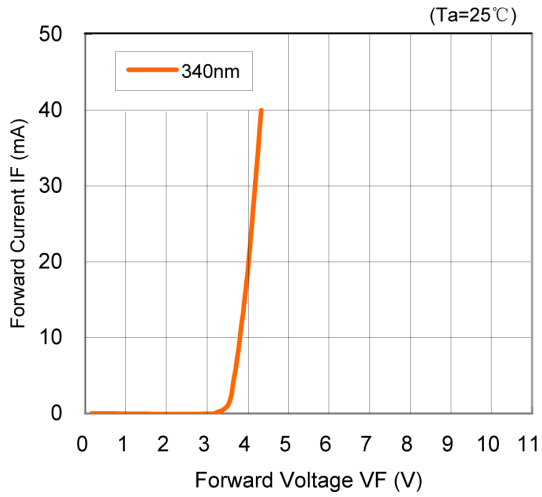
Electrical & Optical Characteristics (Ta = 25°C)

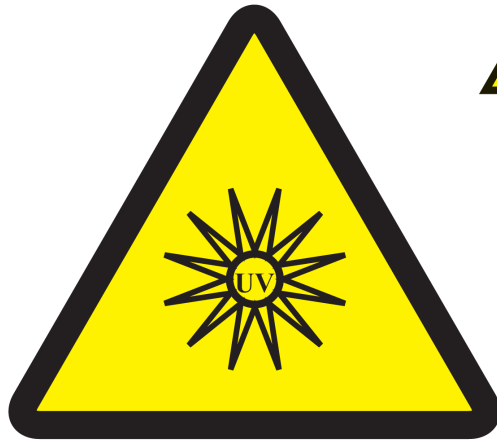
ITEMS	SYMBOL	CONDITIONS	MIN.	TYP	MAX.	UNIT
Peak Wavelength	λ_p	IF=20mA	335	340	345	nm
Power Output	PO	IF=20mA	--	1.2	--	mW
Spectral Line Half Width	$\Delta\lambda$	IF=20mA	--	10	--	nm
Forward Voltage	VF	IF=20mA	--	4	--	V
Viewing Angle	$2\Theta_{1/2}$	IF=20mA	--	115	--	deg



Unit: mm

2014-01-18





 **CAUTION**

1. LEDs emit very strong UV radiation during operation.
2. Don't look directly into the LED light when in operation as UV radiation can harm your eyes.
3. To prevent even inadequate exposure, wear protective eyewear.
4. If LEDs are embedded in devices, please indicate warning labels against the UV LED used.
5. Avoid prolonged exposure to skin or other tissue during operation.
6. Keep out of reach of children.
7. Take appropriate precautions around pets and other living organisms to avoid UV exposure.
8. Specification and dimension are subject to change without notice.