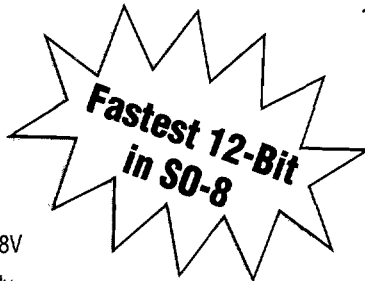


New Products

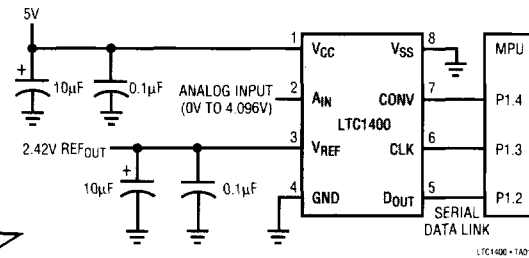
LTC1400: Complete 12-Bit, 400ksps ADC in SO-8

Features

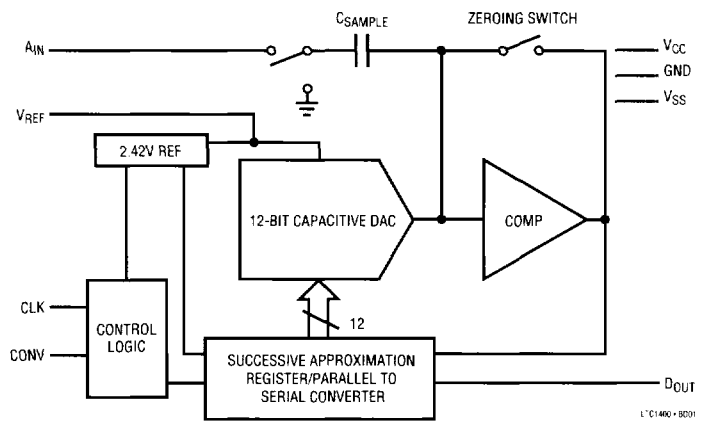
- Complete 12-Bit ADC in SO-8
- Single Supply 5V or $\pm 5V$ Operation
- Sample Rate: 400ksps
- Power Dissipation: 75mW (Typ)
- 70dB S/(N + D) and 74dB THD at Nyquist
- No Missing Codes over Temperature
- NAP Mode with Instant Wake-Up: 6mW
- SLEEP Mode: 30 μ W
- Input Range (1mV/LSB): 0V to 4.096 or $\pm 2.048V$
- Internal Reference Can Be Overdriven Externally
- 3-Wire Interface to DSPs and Processors



Single 5V Supply, 400kHz, 12-Bit Sampling A/D Converter



Block Diagram

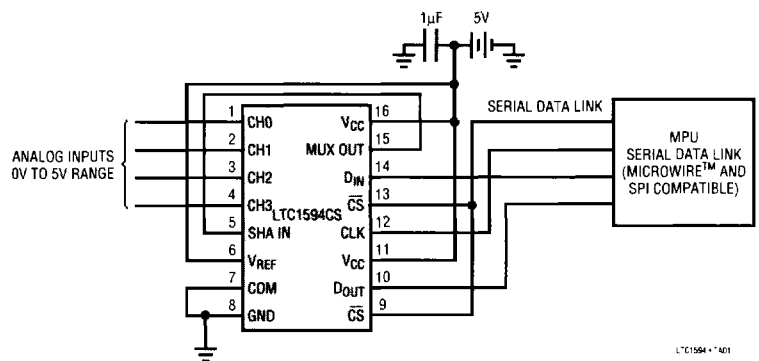


LTC1594/LTC1594L: Micropower 4-Channel 12-Bit ADCs

Features

- 12-Bit Resolution
- Low Supply Current: 160 μ A
- Auto Shutdown to 1nA
- Guaranteed $\pm 3/4$ LSB Max DNL
- Single Supply 5V or 3V Operation
- 4-Channel Multiplexer
- On-Chip Sample-and-Hold
- Conversion Time: 60 μ s
- Sampling Rates: 10.5ksps
- I/O Compatible with SPI, MICROWIRE™, etc.
- 16-Pin Narrow SO Package

50 μ W, 4-Channel, 12-Bit ADC Samples at 200Hz



ADCs

DACs

References

Multiplexer/
Switches

Design/Application
Notes

Glossary/Tables