

NOTES:

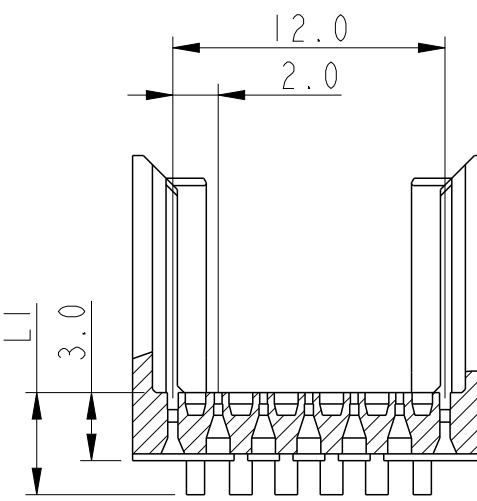
- 1, MEASURED AT THE BOTTOM
- 2, MATERIAL : GLASS REINFORCED POLYESTER UL94-V0
- 3, THE PRODUCT (LF) MEETS EUROPEAN UNION DIRECTIVES AND OTHER COUNTRY REGULATIONS AS DESCRIBED IN GS-22-008
- 4, PARTS WITH AND WITHOUT SUFFIX LF TO THE PRODUCT PART NUMBER ARE IDENTICAL IN FORM , FIT AND FUNCTION LF SUFFIX IS ADDED TO THE PART NUMBER OF THIS PRODUCT TO HAVE UNIFORM IDENTIFICATION OF ALL RoHS COMPATIBLE PRODUCTS

RoHS COMPATIBLE (DIGIT 11 & 12)

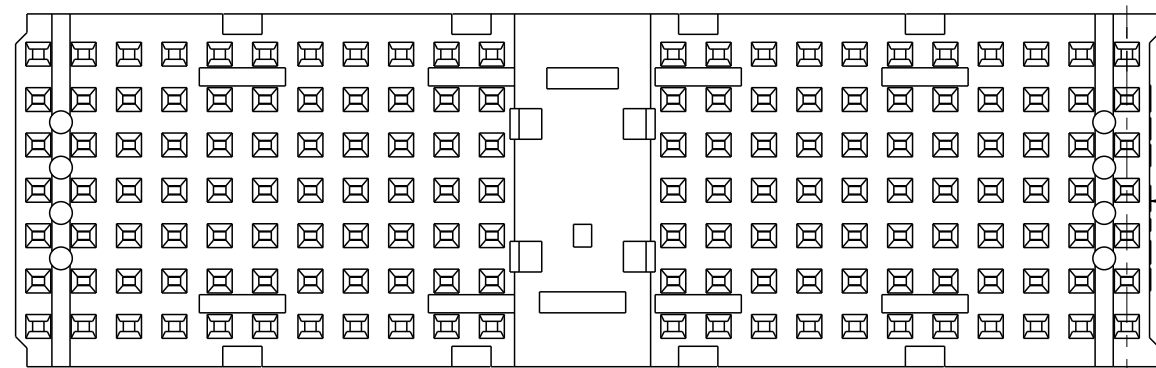
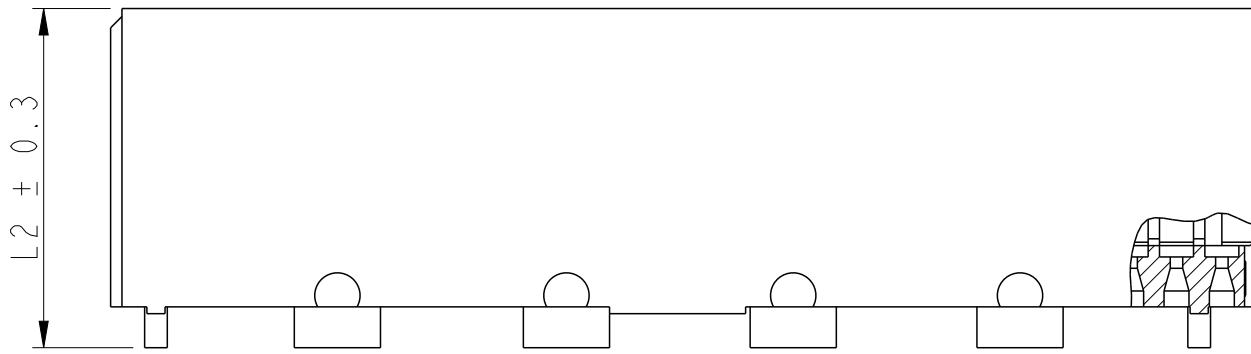
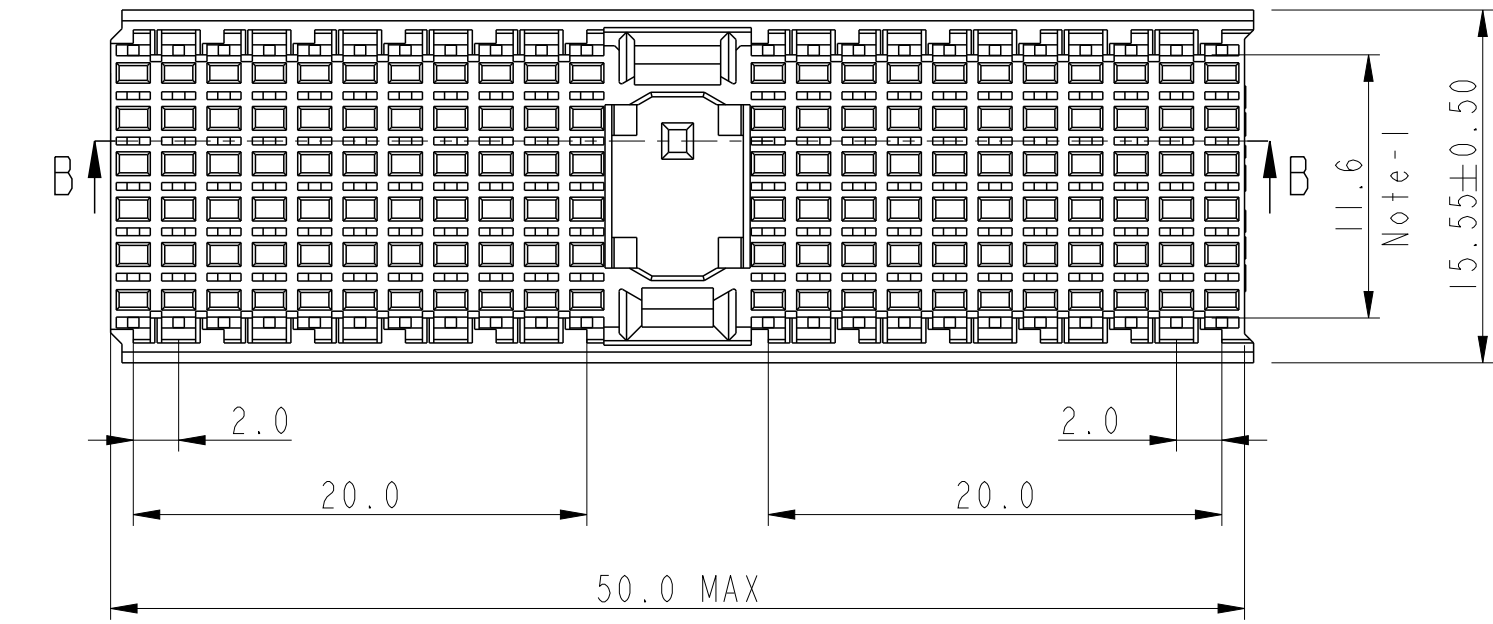
HM2H07PI--LF

STANDOFF HEIGHT INDICATOR

| CAT. NO. | L1 | L2 | |
|--------------|-----|-------|-----------|
| HM2H07PI1LF | 3.0 | 13.45 | AVAILABLE |
| HM2H07PI09LF | 3.9 | 14.35 | AVAILABLE |
| HM2H07PI11LF | 4.1 | 14.55 | AVAILABLE |
| HM2H07PI13LF | 4.3 | 14.75 | AVAILABLE |
| HM2H07PI15LF | 4.5 | 14.95 | AVAILABLE |
| HM2H07PI17LF | 4.7 | 15.15 | AVAILABLE |
| HM2H07PI19LF | 4.9 | 15.35 | AVAILABLE |
| HM2H07PI22LF | 5.2 | 15.65 | AVAILABLE |
| HM2H07PI30LF | 6.0 | 16.45 | AVAILABLE |
| HM2H07PI48LF | 7.8 | 18.25 | AVAILABLE |



SECTION C-C



ABRIDGED CAT No MARKED

| | | | | |
|---------------------------------------|-------------|--------------------------|-----------------------------------|-----------------------|
| www.fciconnect.com | | surface - ✓ ISO 1302 | tolerance std ISO 406 ISO 1101 | projection mm |
| TOLERANCES UNLESS OTHERWISE SPECIFIED | | | | |
| Dr | Alex Babu | 2008-12-16 | ANGULAR | 0.X ±0.2 |
| Eng | Alex Babu | 2008-12-16 | LINEAR | 0.XX ±0.1 |
| Chr | Alex Babu | 2008-12-16 | 0° ±1° | size A3 |
| Appr | Biju K Paul | 2008-12-16 | Product family | ECN 107-0054 |
| | | | MILLIPACS | Spec ref - |
| FCi | | MILLIPACS 5+2 ROW SHROUD | | dwg no BSC201630027 |
| | | Type-A (25 Pos) | | Rev. E |
| | | catalog no HM2H07PI--LF | | CUSTOMER sheet 1 of 1 |

| rev | ecn no | dr | date |
|-----|-------------|----|------------|
| A | Conv Rev 09 | KN | 2001-09-14 |
| B | 104-0088 | AB | 2004-09-23 |
| C | 105-0241 | AB | 2005-11-21 |
| D | 106-0096 | AB | 2006-07-04 |
| E | 107-0054 | AB | 2008-12-16 |
| - | - | - | - |
| - | - | - | - |



Copyright FCI.