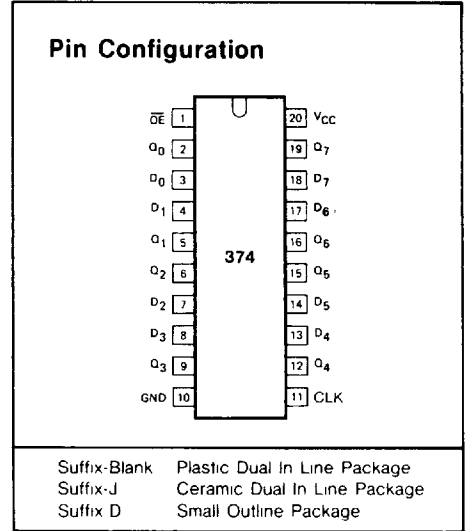


# GD54/74HC374, GD54/74HCT374

## OCTAL 3-STATE NONINVERTING D-TYPE FLIP-FLOPS

### General Description

These devices are identical in pinout to the 54/74LS374. They contain eight D-type master/slave flip-flops with a common clock and clear. Data meeting the setup and hold time requirements are transferred to the 3-state outputs on the rising edge of the clock pulse. The output enable input does not affect the states of the flip-flops, but when output enable is high, the outputs are forced to the high impedance state. Data may thus be stored even when the device is not selected. The HC/HCT 374 are identical in function to the HC/HCT 574 which have the input pins on the opposite side of the package from the output pins. They are similar in function to the HC/HCT 534 which have inverting outputs. These devices are characterized for operation over wide temperature ranges to meet industry and military specifications.



### Features

- Low Power consumption characteristic of CMOS devices
- Output drive capability. 15 LS TTL Loads Min.
- Operating speed superior to LS TTL
- Wide operating voltage range for HC 2 to 6 volts  
for HCT 4.5 to 5.5 volts
- Low input current 1μA Max
- Low quiescent current 80μA Max (74HC)
- High noise immunity characteristic of CMOS
- Diode protection on all inputs

### Function Table

OPERATING MODES	INPUTS			INTERNAL FLIP-FLOPS	OUTPUTS
	OE	CLK	D <sub>n</sub>		Q <sub>0</sub> to Q <sub>7</sub>
load and read register	L	↑	l	L	L
	L	↑	h	H	H
load register and disable outputs	H	↑	l	L	Z
	H	↑	h	H	Z

H = HIGH voltage level

h = HIGH voltage level one set-up time prior to the LOW to HIGH CLK transition

L = LOW voltage level

l = LOW voltage level one set up time prior to the LOW to HIGH CLK transition

Z = high impedance OFF-state

↑ = LOW to HIGH clock transition

## Absolute Maximum Ratings

SYMBOL	PARAMETER	CONDITIONS	MIN	MAX	UNIT
$V_{CC}$	DC Supply voltage		-0.5	+7	V
$I_{IK}, I_{OK}$	DC input or output diode current	for $V_I < -0.5$ or $V_I > V_{CC} + 0.5$ V		20	mA
$I_O$	DC output source or sink current	for $-0.5$ V $< V_O < V_{CC} + 0.5$ V		35	mA
$I_{CC}$	DC $V_{CC}$ or GND current			70	mA
$T_{stg}$	Storage temperature range		-65	150	°C
$P_D$	Power dissipation per package	above +70°C derate linearly with 8mW/K		500	mW
$T_L$	Lead temperature	At distance 1/16 ± 1/32 in from case for 60 sec(CERAMIC) 10 sec(PLASTIC)		300 260	°C

## Recommended Operating Conditions

CHARACTERISTIC	LIMITS		UNITS
	MIN	MAX	
Supply-Voltage Range $V_{CC}$ . GD54/74HC Types GD54/74HCT Types	2 4.5	6 5.5	V
DC Input or Output Voltage $V_I, V_O$	0	$V_{CC}$	V
Operating Temperature $T_A$ . GD74 Types GD54 Types	-40 -55	+85 +125	°C
Input Rise and Fall times $t_r, t_f$ . GD54/74HC Types at 2V at 4.5V at 6V GD54/74HCT Types at 4.5V		1000 500 400 500	ns

## Logic Diagram

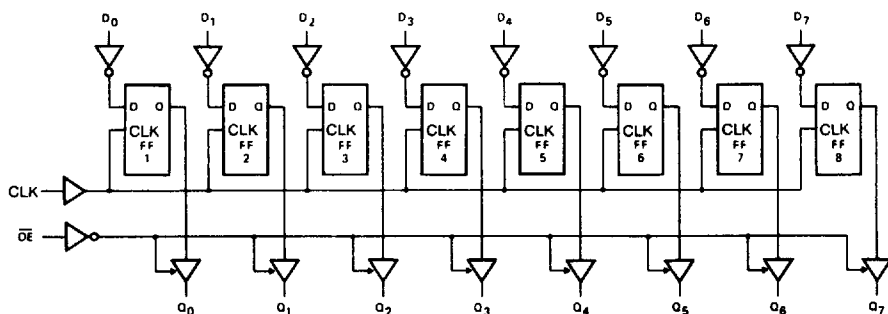


Fig. 1 Logic diagram

# GD54/74HC374, GD54/74HCT374

## DC Electrical Characteristics for HC

SYMBOL	PARAMETER	TEST CONDITION	V <sub>CC</sub> (V)	T <sub>A</sub> =25°C			GD74HC374		GD54HC374		UNIT	
				MIN	TYP	MAX.	MIN	MAX	MIN	MAX		
V <sub>IH</sub>	HIGH level input Voltage		2.0 4.5 6.0	1.5 3.15 4.2			1.5 3.15 4.2		1.5 3.15 4.2		V	
V <sub>IL</sub>	LOW level input voltage		2.0 4.5 6.0			0.3 0.9 1.2		0.3 0.9 1.2		0.3 0.9 1.2	V	
V <sub>OH</sub>	HIGH level output voltage	V <sub>IN</sub> =V <sub>IH</sub> or V <sub>IL</sub>	I <sub>OH</sub> =-20μA	2.0	1.9	2.0		1.9		1.9		V
				4.5	4.4	4.5		4.4		4.4		
			6.0	5.9	6.0		5.9		5.9			
			4.5	3.98	4.3		3.84		3.7			
			6.0	5.48	5.2		5.34		5.2			
V <sub>OL</sub>	LOW level output voltage	V <sub>IN</sub> =V <sub>IH</sub> or V <sub>IL</sub>	I <sub>OL</sub> =20μA	2.0			0.1		0.1	0.1		V
				4.5			0.1		0.1	0.1		
				6.0			0.1		0.1	0.1		
				4.5		0.17	0.26		0.33		0.4	
			6.0		0.15	0.26		0.33	0.33		0.4	
I <sub>IN</sub>	Input leakage Current	V <sub>IN</sub> =V <sub>CC</sub> or GND	6.0			0.1		1.0		1.0	μA	
I <sub>OZ</sub>	Three-State leakage current	V <sub>IN</sub> =V <sub>IH</sub> or V <sub>IL</sub> V <sub>O</sub> =V <sub>CC</sub> or GND	6.0		0.01	0.5		5.0		10.0	μA	
I <sub>CC</sub>	Quiescent Supply Current	V <sub>IN</sub> =V <sub>CC</sub> or GND I <sub>out</sub> =0μA	6.0			8		80		160	μA	

## DC Electrical Characteristics for HCT

SYMBOL	PARAMETER	TEST CONDITION	V <sub>CC</sub> (V)	T <sub>A</sub> =25°C			GD74HCT374		GD54HCT374		UNIT	
				MIN.	TYP.	MAX.	MIN	MAX	MIN	MAX		
V <sub>IH</sub>	HIGH level input Voltage		4.5 to 5.0	2.0			2.0		2.0		V	
V <sub>IL</sub>	LOW level input voltage		4.5 to 5.5			0.8		0.8		0.8	V	
V <sub>OH</sub>	HIGH level output voltage	V <sub>IN</sub> =V <sub>IH</sub> or V <sub>IL</sub>	I <sub>OH</sub> =-20μA	4.5	4.4	4.5		4.4		4.4		V
			I <sub>OH</sub> =-6mA	4.5	3.98	4.3		3.84		3.7		
V <sub>OL</sub>	LOW level output voltage	V <sub>IN</sub> =V <sub>IH</sub> or V <sub>IL</sub>	I <sub>OL</sub> =20μA	4.5			0.1		0.1		0.1	V
			I <sub>OL</sub> =6mA	4.5		0.17	0.26		0.33		0.4	
				4.5								
I <sub>IN</sub>	Input leakage Current	V <sub>IN</sub> =V <sub>CC</sub> or GND	5.5			0.1		1.0		1.0	μA	
I <sub>OZ</sub>	Three-State leakage current	V <sub>IN</sub> =V <sub>IH</sub> or V <sub>IL</sub> V <sub>O</sub> =V <sub>CC</sub> or GND	5.5		0.01	0.5		5.0		10.0	μA	
I <sub>CC</sub>	Quiescent Supply Current	V <sub>IN</sub> =V <sub>CC</sub> or GND I <sub>out</sub> =0μA	5.5			8		80		160	μA	

# GD54/74HC374, GD54/74HCT374

## Timing Requirements for HC: $t_r=t_f=6\text{ns}$ $C_L=50\text{ pF}$

SYMBOL	PARAMETER		V <sub>CC</sub> (V)	T <sub>A</sub> =25°C			GD74HC374		GD54HC374		UNIT
				MIN.	TYP	MAX.	MIN.	MAX.	MIN.	MAX.	
t <sub>w</sub>	Pulse width	CLK high or low	2.0	80	30		100		120		ns
			4.5	16	10		20		25		
			6.0	14	8		18		22		
t <sub>su</sub>	Setup time	Data before CLK †	2.0	60	30		100		120		ns
			4.5	12	10		20		25		
			6.0	10	8		18		22		
t <sub>h</sub>	Hold time	Data after CLK †	2.0	3	0		3		3		ns
			4.5	3	0		3		3		
			6.0	3	0		3		3		

## AC Characteristics for HC: $t_r=t_f=6\text{ns}$ $C_L=50\text{ pF}$

SYMBOL	PARAMETER		V <sub>CC</sub> (V)	T <sub>A</sub> =25°C			GD74HC374		GD54HC374		UNIT
				MIN.	TYP	MAX.	MIN.	MAX.	MIN.	MAX.	
f <sub>max</sub>	Maximum Clock Pulse frequency		2.0	6	20		5		4		MHz
			4.5	30	65		25		20		
			6.0	35	75		30		25		
t <sub>PLH</sub> / t <sub>PHL</sub>	Propagation Delay Time CLK to Q <sub>n</sub>		2.0		40	140		180		210	ns
			4.5		14	28		36		40	
			6.0		12	26		33		38	
t <sub>PZH</sub> / t <sub>PZL</sub>	3-State Output Enable Time $\overline{OE}$ to Q <sub>n</sub>		2.0		38	140		180		210	ns
			4.5		13	28		36		40	
			6.0		12	26		33		38	
t <sub>PLZ</sub> / t <sub>PHZ</sub>	3-State Output Disable Time $\overline{OE}$ to Q <sub>n</sub>		2.0		38	140		180		210	ns
			4.5		13	28		36		40	
			6.0		12	26		33		38	
t <sub>TLH</sub> / t <sub>THL</sub>	Output Transition Time		2.0		15	60		75		90	ns
			4.5		6	12		15		18	
			6.0		5	10		13		15	

# GD54/74HC374, GD54/74HCT374

## Timing Requirements for HCT: $t_r=t_f=6\text{ns}$ $C_L=50\text{ pF}$

SYMBOL	PARAMETER		V <sub>CC</sub> (V)	T <sub>A</sub> =25°C			GD74HCT374		GD54HCT374		UNIT
				MIN	TYP	MAX	MIN	MAX	MIN	MAX	
t <sub>w</sub>	Pulse width	CLK high or low	4.5	16	10		20		25		ns
t <sub>su</sub>	Setup time	Data before CLK↑	4.5	12	10		20		25		ns
t <sub>h</sub>	Hold time	Data after CLK↑	4.5	3	0		3		3		ns

## AC Characteristics for HCT: $t_r=t_f=6\text{ns}$ $C_L=50\text{ pF}$

SYMBOL	PARAMETER		V <sub>CC</sub> (V)	T <sub>A</sub> =25°C			GD74HCT374		GD54HCT374		UNIT
				MIN.	TYP	MAX.	MIN	MAX.	MIN	MAX	
f <sub>max</sub>	Maximum Clock Pulse Frequency		4.5	27	54		22		18		MHz
t <sub>PLH</sub> / t <sub>PHL</sub>	Propagation Delay Time CLK to Q <sub>n</sub>		4.5		16	30		38		45	ns
t <sub>PZH</sub> / t <sub>PZL</sub>	3-state Output Enable Time OE to Q <sub>n</sub>		4.5		15	30		38		45	ns
t <sub>PLZ</sub> / t <sub>PHZ</sub>	3-state Output disable time OE to Q <sub>n</sub>		4.5		15	30		38		45	ns
t <sub>TLH</sub> / t <sub>THL</sub>	Output Transition Time		4.5		6	12		15		18	ns

AC Waveforms

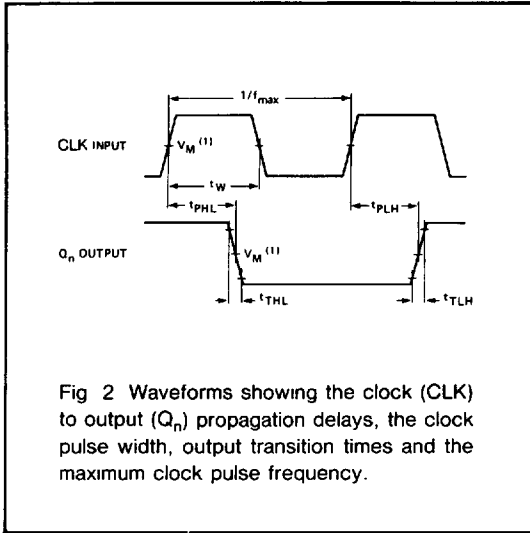


Fig 2 Waveforms showing the clock (CLK) to output (Q<sub>n</sub>) propagation delays, the clock pulse width, output transition times and the maximum clock pulse frequency.

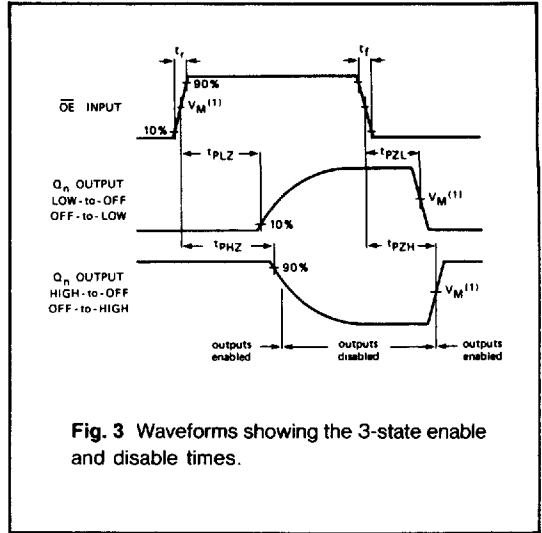


Fig. 3 Waveforms showing the 3-state enable and disable times.

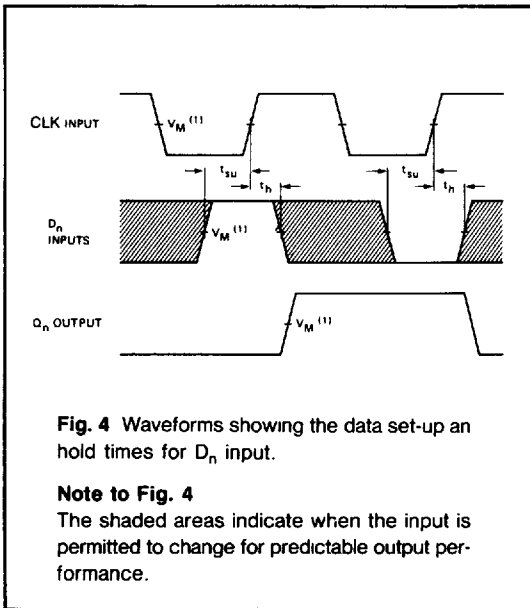


Fig. 4 Waveforms showing the data set-up and hold times for D<sub>n</sub> input.

Note to Fig. 4

The shaded areas indicate when the input is permitted to change for predictable output performance.

Note to AC waveforms

- (1) HC  $V_M = 50\%$ ,  $V_I = \text{GND to } V_{CC}$
- HCT  $V_M = 1.3V$ ,  $V_I = \text{GND to } 3V$