

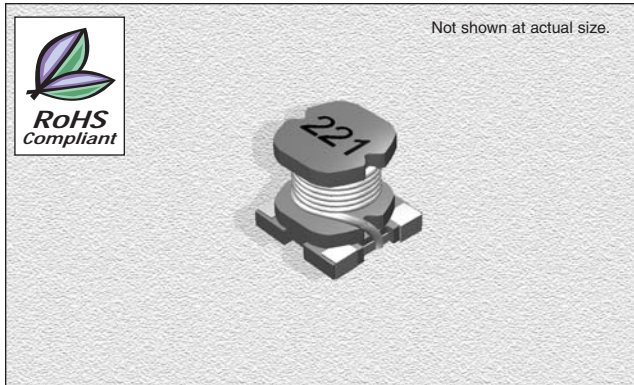
# CTCR54F Series

## From 10 $\mu$ H to 220 $\mu$ H

### SPECIFICATIONS

Parts are only available in  $\pm 20\%$  inductance tolerance.

#### ENGINEERING KIT #39



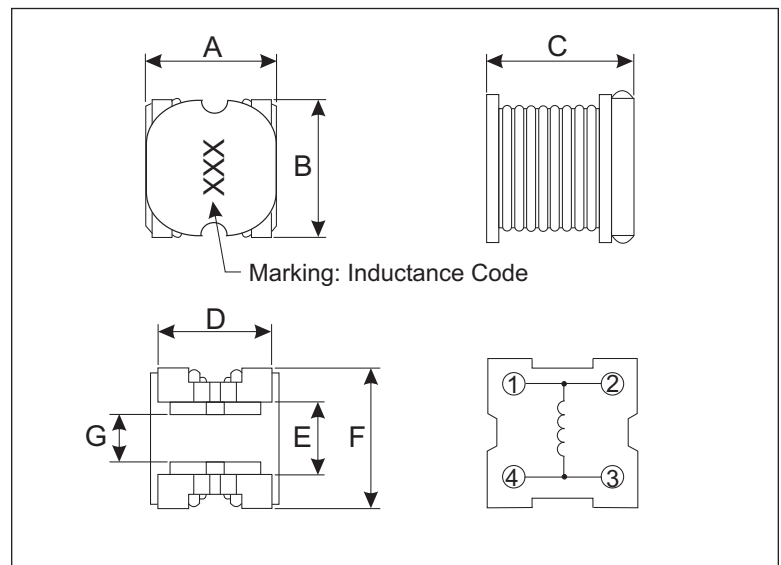
Part Number	Inductance ( $\mu$ H)	L Test Freq. (.Hz)	DCR Max. ( $\Omega$ )	Rated DC (A)
CTCR54F-100M	10	2.52M	0.1	1.44
CTCR54F-120M	12	2.52M	0.12	1.4
CTCR54F-150M	15	2.52M	0.14	1.3
CTCR54F-180M	18	2.52M	0.15	1.23
CTCR54F-220M	22	2.52M	0.18	1.11
CTCR54F-270M	27	2.52M	0.2	0.97
CTCR54F-330M	33	2.52M	0.23	0.88
CTCR54F-390M	39	2.52M	0.32	0.80
CTCR54F-470M	47	2.52M	0.37	0.72
CTCR54F-560M	56	2.52M	0.42	0.68
CTCR54F-680M	68	2.52M	0.46	0.61
CTCR54F-820M	82	2.52M	0.60	0.58
CTCR54F-101M	100	1.0k	0.70	0.52
CTCR54F-121M	120	1.0k	0.93	0.48
CTCR54F-151M	150	1.0k	1.1	0.40
CTCR54F-181M	180	1.0k	1.38	0.38
CTCR54F-221M	220	1.0k	1.57	0.35

### PHYSICAL DIMENSIONS

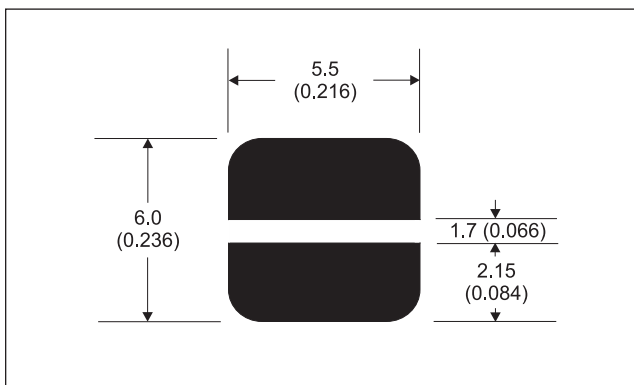
Size	A Max.	B Max.	C Max.	D	E	F	G
mm	5.6	6.1	4.85	4.7	2.5	5.8	1.4
inches	0.220	0.240	0.191	0.185	0.098	0.228	0.055

### CHARACTERISTICS

- Description:** SMD power inductor
- Applications:** VTR power supplies, OA equipment, LCD televisions, PC notebooks, portable communication equipment, DC/DC converters
- Operating Temperature:**  $-40^{\circ}\text{C}$  to  $+100^{\circ}\text{C}$
- Inductance Tolerance:**  $\pm 20\%$
- Testing:** Inductance is tested on an HP4284A or HP4285A at specified frequency
- Packaging:** Tape & Reel
- Marking:** Marked with inductance code
- Rated DC:** This indicates the value of current when the inductance is 10% lower than its initial value at D.C. superimposition or D.C. current when at  $\Delta T=40^{\circ}\text{C}$ , whichever is lower.
- Miscellaneous:** RoHS Compliant.
- Additional Information:** Additional electrical & physical information available upon request
- Samples available. See website for ordering information.**



### RECOMMENDED LAND PATTERN



06.11.08