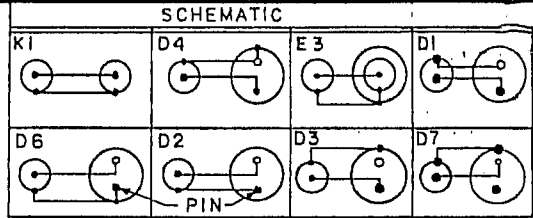
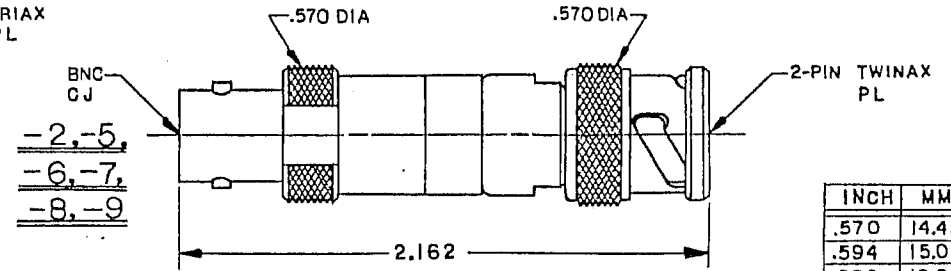
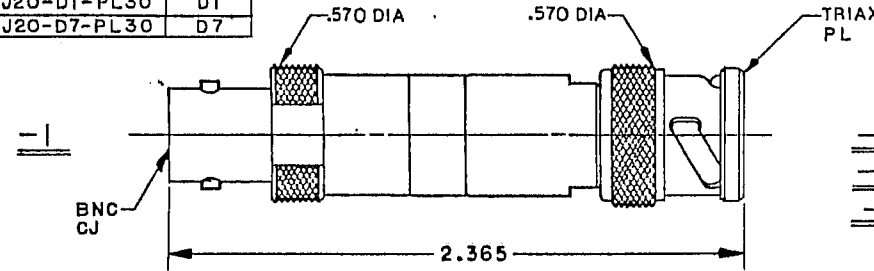


DASH NO	MODEL NO	SCHEM
-1	AD-CJ20-E3-PL76	E3
-2	AD-CJ20-D4-PL30	D4
-3	AD-PL40-K1-PL40	K1
-4	AD-CJ40-K1-CJ40	K1
-5	AD-CJ20-D6-PL30	D6
-6	AD-CJ20-D2-PL30	D2
-7	AD-CJ20-D3-PL30	D3
-8	AD-CJ20-D1-PL30	D1
-9	AD-CJ20-D7-PL30	D7

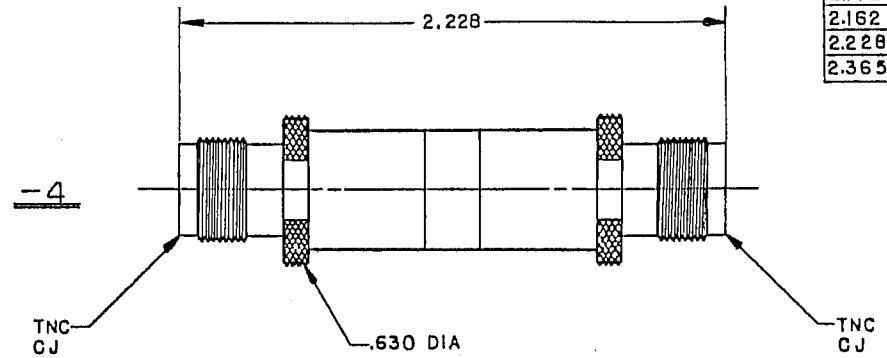
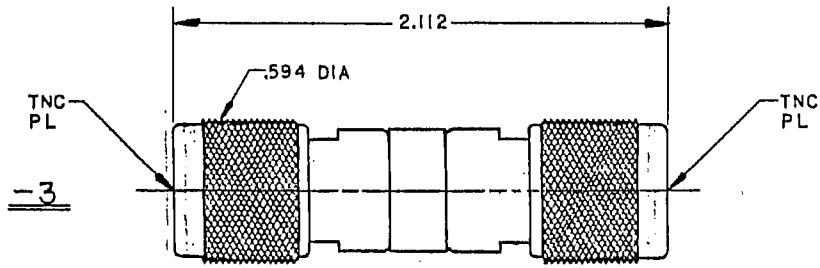


REV		EO	DESCRIPTION	DWN	APPROVAL	DATE
F		3646	REV 4 REDRAWN	MAQ	<i>[Signature]</i>	5-5-77
G		4311	ADDED-5,-6 REV PER EO	JFD	<i>[Signature]</i>	10-25-78
H		4742	REV -1,-2 & -6, ADDED -7	TDM	<i>[Signature]</i>	10-24-79
J		5076	ADDED-8	CLS	<i>[Signature]</i>	8-13-80
K		5187	ADDED-9	CLS	<i>[Signature]</i>	1-26-81

2005-0001 SH 1



INCH	MM
.570	14.48
.594	15.09
.630	16.00
2.112	53.64
2.162	54.91
2.228	56.59
2.365	60.07



4. ADAPTER BETWEEN SERIES: -1
BNC/TRIAX; -2,-5,-6 & -8 BNC/TWO-PIN TWINAX
3. ADAPTER: -3 & -4 WITHIN TNC SERIES
2. FINISH: TFS-IA (NICKEL)
1. ALL DIM ARE REF IN INCHES

QTY	DESCRIPTION	PART NUMBER	ITEM
	TOL UNLESS SPECIFIED .XX ± .XXX ± .XXXX ± ANGLES ±	TROMPETER ELECTRONICS, INC. ADAPTERS	
DWN	MAQ 5-2-77		
CHK	<i>[Signature]</i> 5-4-77		14949
ENGR	<i>[Signature]</i> 5-4-77	SCALE 2/1	DRAWING NO. 2005-0001
APPR	<i>[Signature]</i> 3/5/77	DATE 5-15-67	REV K
NEXT ASSY.			SHEET 1 OF 2