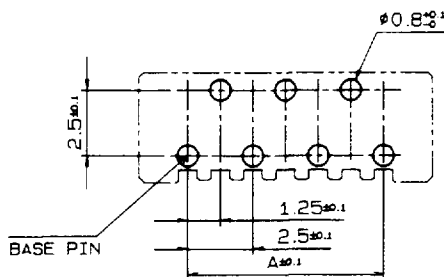
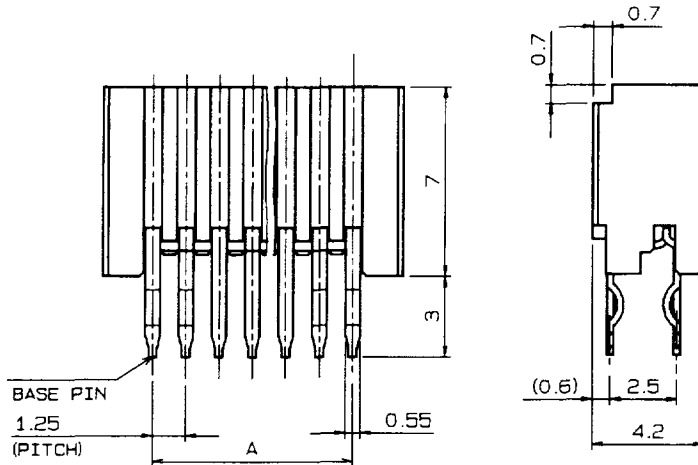
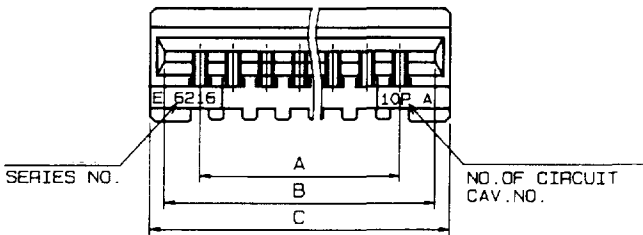


1.25mm Pitch

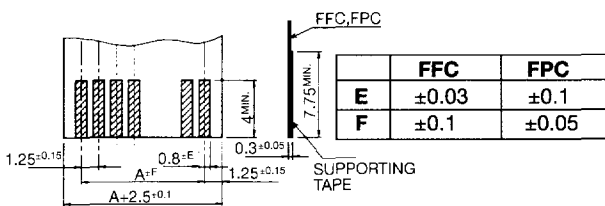
Series 6216



LIF Straight Through-Hole



MOUNTING LAYOUT



FFC, FPC SPECIFICATION

ORDERING CODE

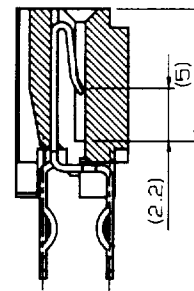
00 6216 OXX 00X 808

NUMBER OF CONTACTS (04-30)
TRAY PACKAGE

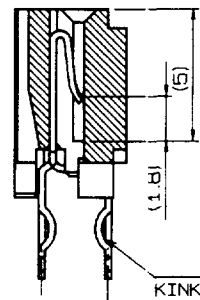
VARIATION CODE
0: WITH KINKED LEGS
(EACH TWO PINS AT BOTH ENDS)
1: WITHOUT KINKED LEGS

Specifications

- Number of Contacts – 4-40
- Tube Packaged or Tray Packaged
- Voltage – 200 V
- Current Rating – 1.0 amp max.
- Dielectric Withstanding Voltage – 500V RMS min.
- Operating Temperature – (-20°C - +85°C)
- Contact Material – phosphor bronze (tin-lead plated)
- Insulator Material – glass-filled PBT, (UL 94 V-O) black color
- FFC/FPC Thickness – 0.3 ±0.05 mm (0.012 ±0.002")
- PCB Thickness – 1.0-1.6mm (0.039-0.633")
- Profile Height – Straight – 7.0mm (0.276")
Right Angle – 4.2mm (0.165")
- Reverse footprint for straight type also available – contact sales office for details



LONG CONTACT (EVEN PIN)



SHORT CONTACT (ODD PIN)

PART NUMBER	NO. OF CONTACTS	A	B	C	QTY. PER TRAY
00 6216 004 00X 808	4	3.75	6.41	7.50	480
005	5	5.00	7.66	8.75	410
006	6	6.25	8.91	10.00	360
007	7	7.50	10.16	11.25	320
008	8	8.75	11.41	12.50	280
009	9	10.00	12.66	13.75	260
010	10	11.25	13.91	15.00	220
011	11	12.50	15.16	16.25	220
012	12	13.75	16.41	17.50	200
013	13	15.00	17.66	18.75	190
014	14	16.25	18.91	20.00	180
015	15	17.50	20.16	21.25	160
016	16	18.75	21.41	22.50	160
017	17	20.00	22.66	23.75	150
018	18	21.25	23.91	25.00	140
019	19	22.50	25.16	26.25	130
020	20	23.75	26.41	27.50	130
021	21	25.00	27.66	28.75	120
022	22	26.25	28.91	30.00	120
023	23	27.50	30.16	31.25	110
024	24	28.75	31.41	32.50	110
025	25	30.00	32.66	33.75	100
026	26	31.25	33.91	35.00	100
027	27	32.50	35.16	36.25	90
028	28	33.75	36.41	37.50	90
029	29	35.00	37.66	38.75	90
00 6216 030 00X 808	30	36.25	38.91	40.00	90

(Dimensions: mm)