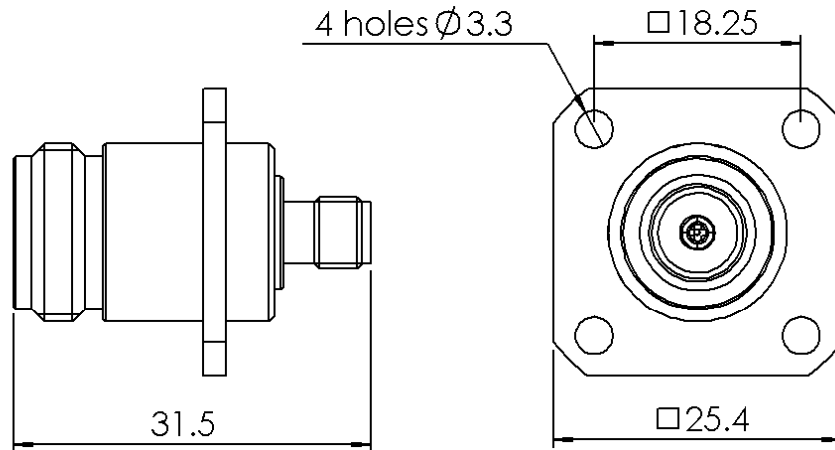


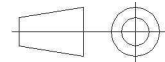
BULKHEAD ADAPTOR N FEMALE - SMA FEMALE
SQUARE FLANGE

R191.381.000

Série : ADAPT



All dimensions are in mm.



COMPONENTS	MATERIALS	PLATING (µm)
BODY	LAITON	NICKEL 2
CENTER CONTACT	CUPRO BERYLLIUM	OR 0.5 SUR NICKEL 2
OUTER CONTACT	-	-
INSULATOR	PTFE	-
GASKET	-	-
OTHERS PARTS	CUPRO BERYLLIUM	NICKEL 2
-	-	-
-	-	-

Issue : 0840 D

In the effort to improve our products, we reserve the rights to make changes judged to be necessary.



BULKHEAD ADAPTOR N FEMALE - SMA FEMALE

R191.381.000

SQUARE FLANGE

Série : ADAPT

PACKAGING

SPECIFICATION

Standard	Unit	Other
	'W' option	Contact us

ELECTRICAL CHARACTERISTICS

ENVIRONMENTAL

Impedance		50 Ω
Frequency		0-11 GHz
VSWR	1.30 +	0,0000 x F(GHz) Maxi
Insertion loss		0.05 √F(GHz) dB Maxi
RF leakage	- (101 - F(GHz)) dB Maxi
Voltage rating		500 Veff Maxi
Dielectric withstanding voltage		1000 Veff mini
Insulation resistance		5000 MΩ mini

Operating	-55/+155 °C
Hermetic seal	NA Atm.cm3/s
Panel leakage	NA

MECHANICAL CHARACTERISTICS

OTHER CHARACTERISTICS

Center contact retention		
Axial force – Mating end		27 N mini
Axial force – Opposite end		27 N mini
Torque		NA N.cm mini
Recommended torque		
Mating	N	0 N.cm
	SMA	0 N.cm
	-	0 N.cm
Panel nut		NA N.cm
Mating life		500 Cycles mini
Weight		0,0000 g

Issue : 0840 D

In the effort to improve our products, we reserve the rights to make changes judged to be necessary.

