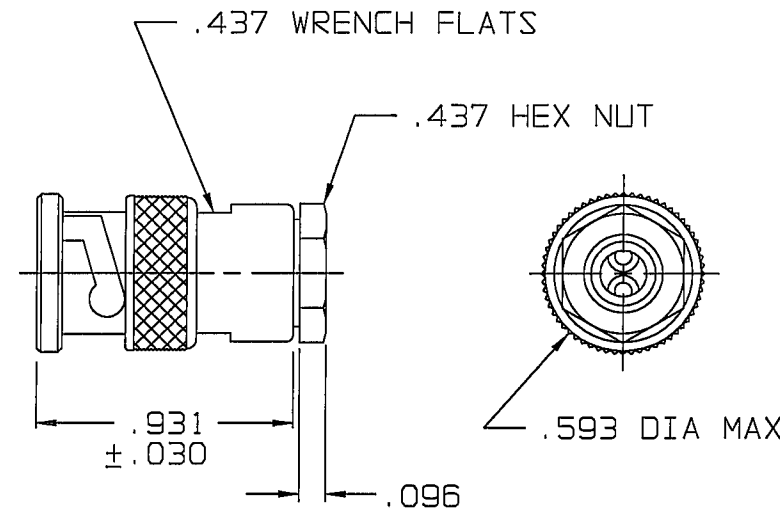


DASH NO	CABLES ACCOMMODATED	ASSEMBLE PER
-8	8227 BELDEN	TAI-140
-9	TWC-78-2/TWC-124-2	TAI-121
-10	RG-22/754E AT&T	TAI-140
-11	760 AT&T	
-12	16 PEVL AT&T/ VI/AL GENERAL	TAI-139
-25	T-43M GENERAL	TAI-121
-27	202-3927 MICRODOT	
-29	TWC-78-1/TWC-124-1A	
-45	10602 RAYCHEM	
-46	9860 BELDEN	TAI-140
-47	M17/176-00002	TAI-121
-49	TWAC-78-1F2	TAI-140
-54	89207 BELDEN	
-55	89272 BELDEN	

DATA CONTAINED IN THIS DOCUMENT IS PROPRIETARY TO TROMPETER ELECTRONICS INC. AND SHALL NOT BE DISCLOSED, COPIED OR USED FOR PROCUREMENT OR MANUFACTURE WITHOUT EXPRESS WRITTEN PERMISSION OF TROMPETER ELECTRONICS INC.

REVISIONS		2-0008	SH 1
REV	DESCRIPTION	DATE	APPROVED
AD	REVISED PER ECD 15446	5/10/04	WS

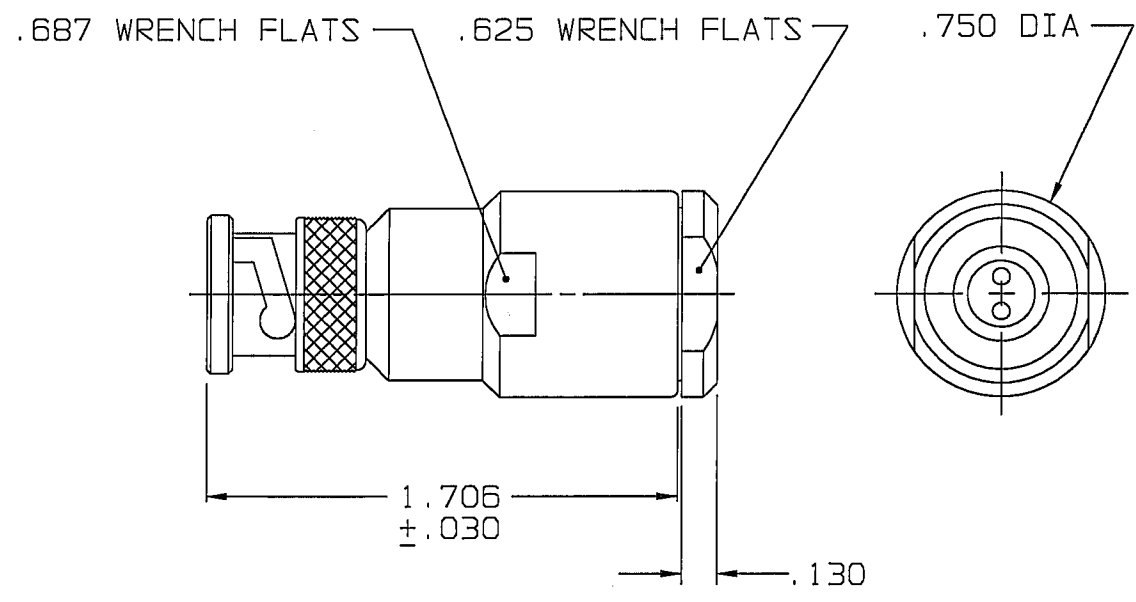
FIG 1 \triangle



-9 SHOWN

-9, -25, -27, -29, -45, -47 & -49

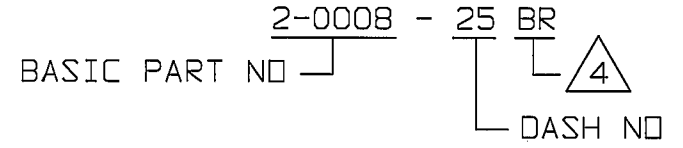
FIG 2



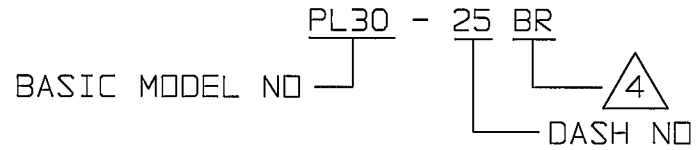
-8 SHOWN

-8, -10, -11, -12, -46 & -54

6. EXAMPLE OF COMPLETE PART NO:



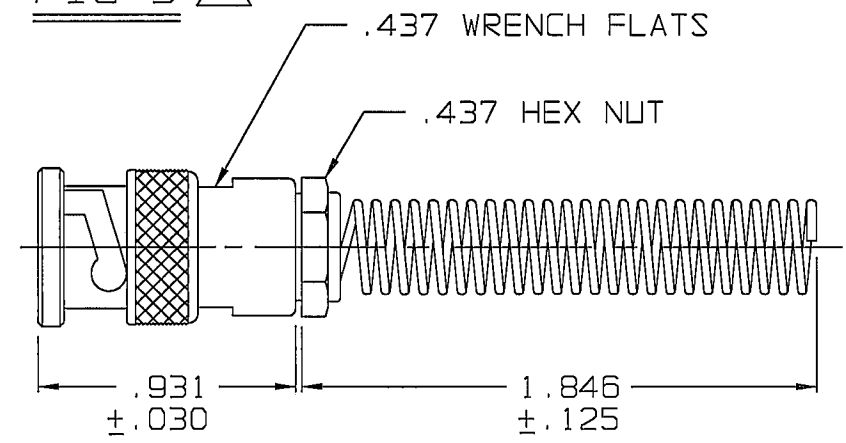
5. EXAMPLE OF COMPLETE MODEL NO:



\triangle IF BEND RELIEF SPRING REQD, (SEE FIG 3) ADD SUFFIX "BR" TO DASH NO (NOT AVAILABLE WITH CABLE GROUPS -8, -10, -11, -12, -46 & -54)

3. TWINAXIAL BNC TYPE, TWO PIN CABLE PLUG
2. FINISH: TFS-1A (NICKEL)
1. ALL DIM ARE IN INCHES

FIG 3 \triangle



-9BR SHOWN

-9, -25, -27, -29, -45, -47 & -49

RED INDICATES ORIGINAL

INTERPRET DRAWING PER MIL-STD-100 DIMENSIONS ARE IN INCHES AND INCLUDE FINISH THICKNESS UNLESS OTHERWISE SPECIFIED		TOL: UNLESS SPECIFIED .XX .XXX .XXXX ANGLES		
DRAWN AAH	DATE 5-4-04	MATERIAL:	TITLE: PL30	
CHECKED Wash	DATE 5/10/04	FINISH:	SIZE CAGE CODE B 14949	DRAWING NO. 2-0008
APPROVED Wash	DATE 5/10/04	DO NOT SCALE DWG	SCALE 2/1	DATE 2/16/66
NEXT ASSY E2000BAD				REV. AD
				SHEET 1C