



## Precision Mini SMP Female to Mini SMP Female Adapter

### TECHNICAL DATA SHEET

**PE91069**

#### Precision Mini SMP Female to Mini SMP Female Adapter

##### Configuration

Connector 1	Mini SMP Female
Impedance 1	50 Ohms
Connector 2	Mini SMP Female
Impedance 2	50 Ohms
Adapter Design	Precision
Body Style	Straight

##### Electrical Specifications

Frequency Range, GHz	DC to 60
----------------------	----------

##### Frequency 1

Frequency, GHz	DC to 26.5
VSWR	1.2:1

##### Mechanical Specifications

##### Temperature

Operating Range, deg C	-55 to +125
------------------------	-------------

##### Size

Length, in [mm]	0.21 [5.33]
Width/Dia., in [mm]	0.1 [2.54]

##### Connector 1

Type	Mini SMP Female
Inner Conductor Material and Plating	Beryllium Copper, Gold
Inner Conductor Plating Specification	MIL-G-45204, Type I, Grade 1, Class A
Body Material and Plating	Beryllium Copper, Gold
Body Plating Specification	MIL-G-45204, Type I, Grade 1, Class A
Dielectric Type	Teflon

##### Connector 2

Type	Mini SMP Female
Inner Conductor Material and Plating	Beryllium Copper, Gold
Inner Conductor Plating Specification	MIL-G-45204, Type I, Grade 1, Class A
Body Material and Plating	Beryllium Copper, Gold
Body Plating Specification	MIL-G-45204, Type I, Grade 1, Class A
Dielectric Type	Teflon

##### Compliance Certifications (visit [www.Pasternack.com](http://www.Pasternack.com) for current document)

RoHS Compliant	Yes
----------------	-----

Click the following link (or enter part number in "SEARCH" on website) to obtain additional part information including price, inventory and certifications: [Precision Mini SMP Female to Mini SMP Female Adapter PE91069](#)

The information contained in this document is accurate to the best of our knowledge and representative of the part described herein. It may be necessary to make modifications to the part and/or the documentation of the part, in order to implement improvements. Pasternack reserves the right to make such changes as required. Unless otherwise stated, all specifications are nominal.





**TECHNICAL DATA SHEET**

**PE91069**

**Plotted and Other Data**

Notes:

Values at 25 °C, sea level

URL: <http://www.pasternack.com/mini-smp-female-mini-smp-female-straight-adapter-pe91069-p.aspx>

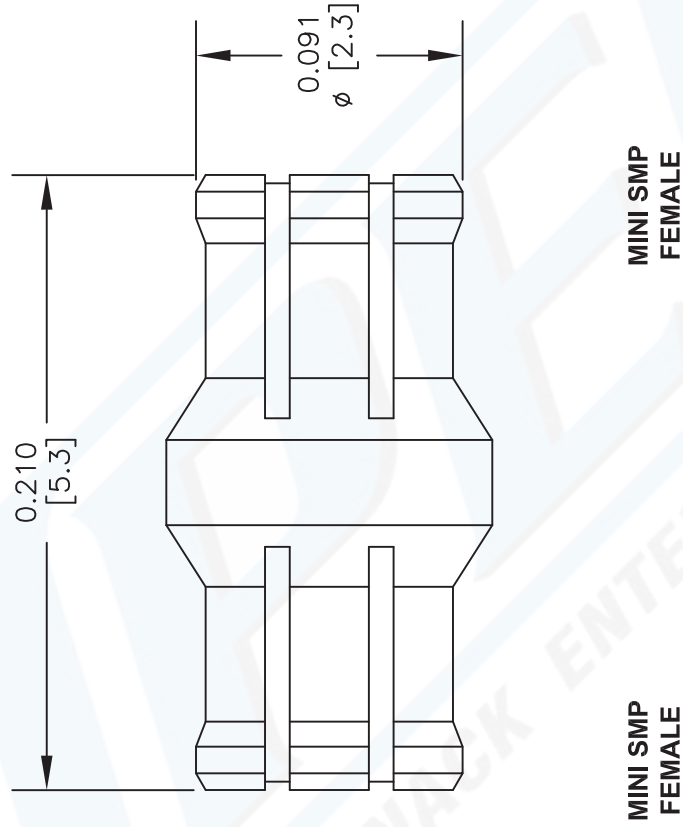
Precision Mini SMP Female to Mini SMP Female Adapter from Pasternack Enterprises has same day shipment for domestic and International orders. Our RF, microwave and fiber optic products maintain a 99% availability and are part of the broadest selection in the industry.

The information contained in this document is accurate to the best of our knowledge and representative of the part described herein. It may be necessary to make modifications to the part and/or the documentation of the part, in order to implement improvements. Pasternack reserves the right to make such changes as required. Unless otherwise stated, all specifications are nominal.



# PE91069 CAD Drawing

Precision Mini SMP Female to Mini SMP Female Adapter



DWG TITLE

**PE91069**

FSCM NO. 53919

NOTES:  
1. UNLESS OTHERWISE SPECIFIED ALL DIMENSIONS ARE NOMINAL.  
2. ALL SPECIFICATIONS ARE SUBJECT TO CHANGE WITHOUT NOTICE AT ANY TIME.  
3. DIMENSIONS ARE IN INCHES [mm].

CAD FILE 020813

SCALE N/A

SIZE A

2233



Pasternack Enterprises, Inc.  
P.O. Box 16759 | Irvine | CA | 92623  
Phone: (949) 261-1920 | Fax: (949) 261-7451  
Website: [www.pasternack.com](http://www.pasternack.com) | E-Mail: [sales@pasternack.com](mailto:sales@pasternack.com)