

NCN49599

Product Preview

Power Line Carrier Modem

The NCN49599 is a powerful power line communication SoC combining low power Cortex M0 processor with a high precision analogue front end. Based on a dual 4800 Baud S-FSK channel technology, it offers an ideal compromise between speed and robustness for operations in a harsh environment.

It is functional compatible with its predecessor NCN49597, extending frequencies up to Cenelec D band for use in applications such as e-metering, home automation and street lighting.

The NCN49599 benefits for more than 10 years of field experience in eMetering and delivers innovative features such as a smart synchronisation and automatic baud rate detection.

Fully reprogrammable, it also supports building automation standard or full custom protocol. The configurable GPIOs allow connecting peripherals such as LCD or metering ICs.

Features

- Power Line Carrier Modem for 50 and 60 Hz Mains
- Embedded 1.2 A Highly Linear 2 stage Power Amplifier with current limitation and thermal protection.
- Embedded ARM Cortex M0 Processor, Programmable Embedded Software
- Compliant with CENELEC EN 50065-1
- Dual S-FSK Channel
- Programmable Carrier Frequencies in CENELEC A-D Band
- Half Duplex
- Data Rate Selectable:
 - 300 – 600 – 1200 – 2400 – 4800 baud (@ 50 Hz)
 - 360 – 720 – 1440 – 2880 – 5760 baud (@ 60 Hz)
- Repetition and Smart Synchronization Algorithm Boost the Robustness of Communication
- Selectable UART/Full Duplex UART to Application Microcontroller
- SCI Port to Application Microcontroller
- SCI Baudrate Selectable: 9.6 – 19.2 – 38.4 – 115.2 kb
- Power Supply 3.3 V and 12 V
- Junction Temperature Range: -40°C to +125°C
- These Devices are Pb-Free and are RoHS Compliant

Typical Applications

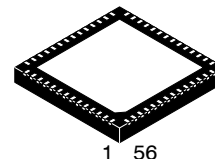
- AMR: Automated Remote Meter Reading
- In Home Display
- Building Automation
- Solar Power
- Streetlight Control
- Transmission of Alerts (Fire, Gas Leak, Water Leak)

This document contains information on a product under development. ON Semiconductor reserves the right to change or discontinue this product without notice.



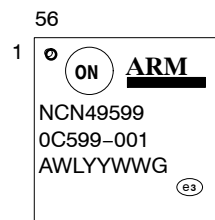
ON Semiconductor®

<http://onsemi.com>



QFN56 8x8, 0.5P
CASE 485CN

MARKING DIAGRAMS



XXXX = Date Code
Y = Plant Identifier
ZZ = Traceability Code

ORDERING INFORMATION

See detailed ordering and shipping information in the package dimensions section on page 38 of this data sheet.

Application Example

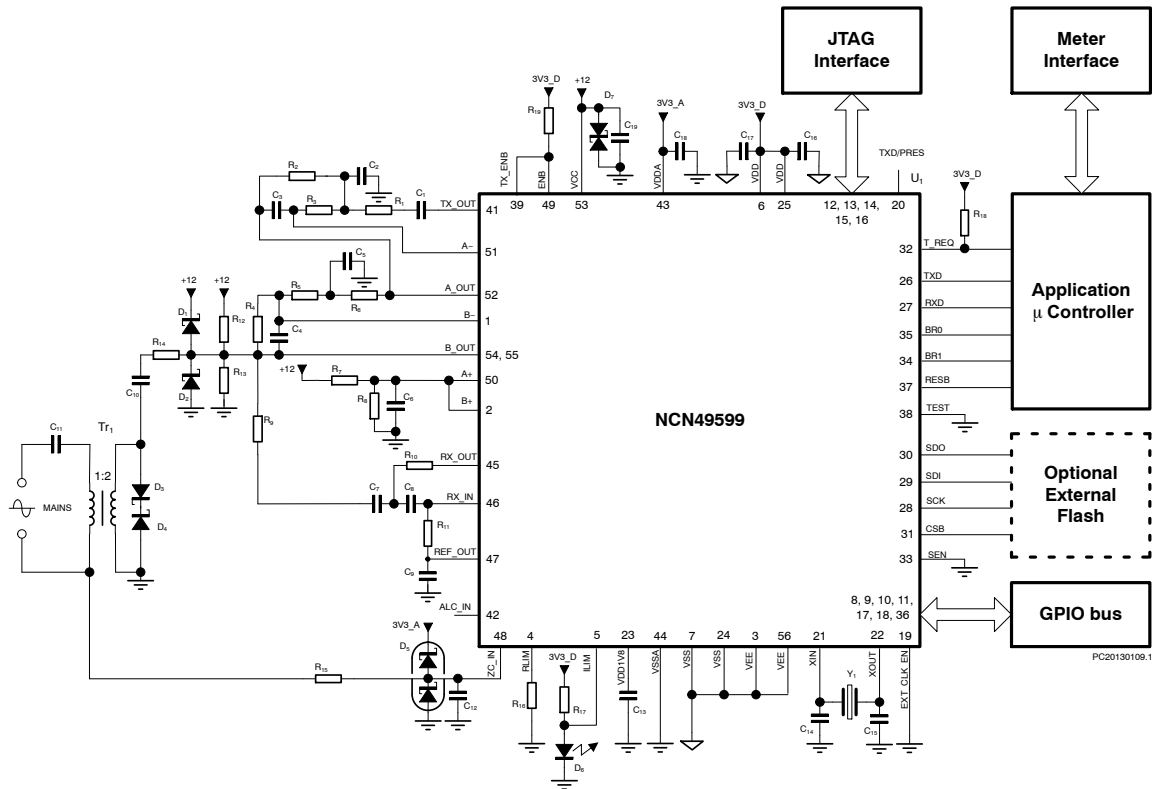


Figure 1. Typical Application for the NCN49599S-FSK Modem

Figure 1 shows an S-FSK PLC modem build around NCN49599. For synchronization the line frequency is coupled in via R15, a 1 MΩ resistor. The Schottky diode pair D₅ clamps the voltage within the input range of the zero cross detector. In the receive path a 2nd order high pass filter blocks the mains frequency. The corner point defined by C₇, C₈, R₁₀ and R₁₁. In the transmit path a 3th order low pass filter build around the internal power operational amplifier suppresses the 2nd and 3rd harmonics to be in line with the CENELEC EN 50065-1 specification. The filter

components are tuned for a space and mark frequency of 63.3 and 74 kHz respectively, typically for e-metering in the CENELEC A-band. The output of the amplifier is coupled via a DC blocking capacitor C₁₀ to a 2:1 pulse transformer Tr1. The secondary of this transformer is coupled to the mains via a high voltage capacitor C₁₁. High energetic transients from the mains are clamped by the protection diode combination D₃, D₄ together with D₁, D₂. Because the mains is not galvanic isolated care needs to be taken when interfacing to a microcontroller or a PC!

Table 1. EXTERNAL COMPONENTS LIST AND DESCRIPTION

Component	Function – Remark	Typ Value	Tolerance	Unit
C ₁	TX_OUT coupling capacitor	470	±20 %	nF
C ₂	Low pass transmit filter	470	±10 %	pF
C ₃	Low pass transmit filter	68	±10 %	pF
C ₄	Low pass transmit filter	3	±10 %	pF
C ₅	Low pass transmit filter	2,7	±10 %	nF
C ₆ , C ₁₆ , C ₁₇ , C ₁₈ , C ₁₉	Decoupling block capacitor	100	-20 +80%	nF
C ₇ , C ₈	High pass receive filter	1	±10 %	nF
C ₉ , C ₁₃	V _{REF_OUT} ; V _{DD1V8} decoupling cap – ceramic	10	-20 +80%	μF

Table 1. EXTERNAL COMPONENTS LIST AND DESCRIPTION

Component	Function – Remark	Typ Value	Tolerance	Unit
C ₁₀	TX coupling cap; 1A rms ripple @ 70 kHz	10	±20%	μF
C ₁₁	High Voltage coupling capacitor; 630 V	220	±20%	nF
C ₁₂	Zero Cross noise suppression	100	±20%	pF
C ₁₄ , C ₁₅	X-tal load capacitor	36	±20%	pF
R ₁	Low pass receive filter	3,3	±1%	kΩ
R ₂	Low pass receive filter	8,2	±1%	kΩ
R ₃ , R ₇ , R ₈ , R ₉ , R ₁₂ , R ₁₃ , R ₁₈ , R ₁₉	Low pass transmit and High pass receive filter; Voltage Bias ; Pull up	10	±1%	kΩ
R ₄	Low pass transmit filter	3	±1%	kΩ
R ₅	Low pass transmit filter	1	±1%	kΩ
R ₆	Low pass transmit filter	1,6	±1%	kΩ
R ₁₀	High pass receive filter	15	±1%	kΩ
R ₁₁	High pass receive filter	30	±1%	kΩ
R ₁₄	TX Coupling resistor ; 0.5 W	0,47	±1%	Ω
R ₁₅	Zero Cross coupling HiV	1	±5%	MΩ
R ₁₆	Current protection	5	±1%	kΩ
R ₁₇	ILIM LED current	3,3	±5%	kΩ
D ₁ , D ₂	High current Schottky Clamp diodes	MBRA430		
D ₃ , D ₄	Unidirectional transient voltage suppressor	P6SMB6.8AT3G		
D ₅	Double low current Schottky clamp diode	BAS70-04		
D ₆	ILIM LED indication (optional)	LED		
D ₇	Bidirectional transient voltage suppressor	1SMA12CA		
Y ₁	X-tal	48 MHz		
Tr ₁	2:1 Coupling transformer			
U ₁	PLC modem	NCN49599		

Table 2. ABSOLUTE MAXIMUM RATINGS

Rating	Symbol	Min	Max	Unit
Absolute max. power amplifier supply	V_{CC_ABSM}	$V_{EE} - 0.3$	13.2	V
Absolute max. digital power supply	V_{DD_ABSM}	$V_{SS} - 0.3$	3.9	V
Absolute max. analog power supply	V_{DDA_ABSM}	$V_{SSA} - 0.3$	3.9	V
Absolute max. difference between digital and analog power supply	$V_{DD} - V_{DDA_ABSM}$	-0.3	0.3	V
Absolute max. difference between digital and analog ground	$V_{SS} - V_{SSA_ABSM}$	-0.3	0.3	V
Absolute max. difference between digital and power ground	$V_{SS} - V_{EE_ABSM}$	-0.3	0.3	V

NON 5V SAFE PINS: TX_OUT, ALC_IN, RX_IN, RX_OUT, REF_OUT, ZC_IN, XIN, XOUT, ENB, TDO, TDI, TCK, TMS, TRSTB, TEST

Absolute maximum input for normal digital inputs and analog inputs	V_{IN_ABSM}	$V_{SS} - 0.3$	$V_{DD} + 0.3$	V
Absolute maximum voltage at any output pin	V_{OUT_ABSM}	$V_{SS} - 0.3$	$V_{DD} + 0.3$	V

5V SAFE PINS: TX_ENB, TXD, RXD, BR0, BR1, IO0 .. IO7, RESB

Absolute maximum input for digital 5V safe inputs	V_{5VS_ABSM}	$V_{SS} - 0.3$	6.0	V
Absolute maximum voltage at 5V safe output pin	V_{OUT5V_ABSM}	$V_{SS} - 0.3$	3.9	V

Stresses exceeding Maximum Ratings may damage the device. Maximum Ratings are stress ratings only. Functional operation above the Recommended Operating Conditions is not implied. Extended exposure to stresses above the Recommended Operating Conditions may affect device reliability.

Normal Operating Conditions

Operating ranges define the limits for functional operation and parametric characteristics of the device as described in the Normal Operating Conditions section and for the reliability specifications as listed in Detailed Hardware Description section. Functionality outside these limits is not implied.

Total cumulative dwell time outside the normal power supply voltage range or the ambient temperature under bias, must be less than 0.1% of the useful life as defined in Detailed Hardware Description section.

Table 3. OPERATING RANGES

Rating	Symbol	Min	Max	Unit
Power Supply Voltage Range	V_{DD}	3.0	3.6	V
Power Operational Amplifier Voltage Range	V_{CC}	6.0	12.0	V
Junction Temperature Range	T_J	-40	125	°C
Ambient Temperature Range	T_A	-40	85	°C

NCN49599

PIN DESCRIPTION

QFN Packaging

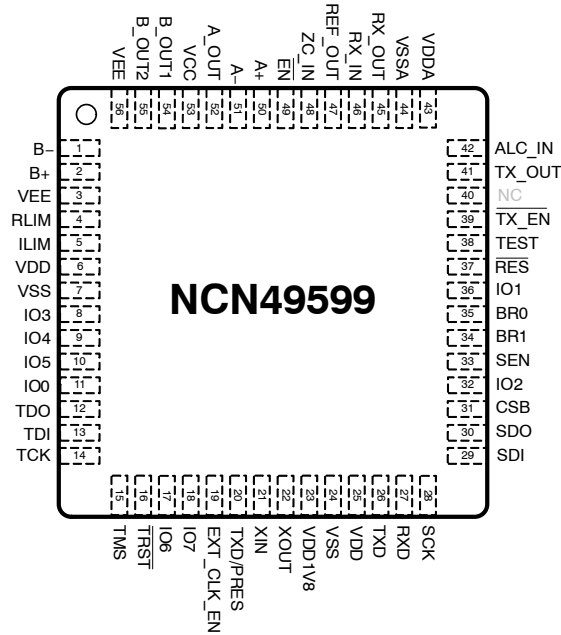


Figure 2. QFN Pin-out of NCN49599 (Top view)

Table 4. NCN49599QFN PIN FUNCTION DESCRIPTION

Pin No.	Pin Name	I/O	Type	Description
1	B-	In	A	Negative (-) input of operational amplifier B
2	B+	In	A	Positive (+) input of operational amplifier B
3, 56	VEE		P	Negative supply for power amplifiers A and B
4	RLIM		A	Output B current limit set resistor
5	ILIM	Out	D	Current limit logic flag
6, 25	VDD		P	3.3V digital supply
7, 24	VSS		P	Digital ground
8..11, 17, 18, 32, 36	IO0 .. IO7	In/Out	D, 5V Safe	General Purpose I/O's
12	TDO	Out	D, 5V Safe	Test data output
13	TDI	In	D, 5V Safe, PD	Test data input
14	TCK	In	D, 5V Safe, PD	Test clock
15	TMS	In	D, 5V Safe, PD	Test mode select
16	TRSTB	In	D, 5V Safe, PD	Test reset bar (active low)
19	EXT_CLK_EN	In	D, 5V Safe	External Clock Enable input
20	TXD/PRES	Out	D, 5V Safe	Output of transmitted data (TXD) or PRE_SLOT signal (PRES)
21	XIN	In	A	Xtal input (can be driven by an external clock)

NCN49599

Table 4. NCN49599QFN PIN FUNCTION DESCRIPTION

Pin No.	Pin Name	I/O	Type	Description
22	XOUT	Out	A	Xtal output (output floating when XIN driven by external clock)
23	VDD1V8		P	1V8 regulator output. Foresee a decoupling capacitor
26	TXD	Out	D, 5V Safe, OD	SCI transmit output
27	RXD	In	D, 5V Safe	SCI receive input (Schmitt trigger input)
28	SCK	Out	D, 5V Safe	SPI interface external Flash
29	SDI	In	D, 5V Safe	SPI interface external Flash (Schmitt trigger input)
30	SDO	Out	D, 5V Safe	SPI interface external Flash
31	CSB	In	D, 5V Safe	SPI interface external Flash (Schmitt trigger input)
33	SEN	In	D, 5V Safe, PD	SPI interface Enable external Flash
34	BR1	In	D, 5V Safe	SCI baud rate selection
35	BR0	In	D, 5V Safe	SCI baud rate selection
37	RESB	In	D, 5V Safe	Master reset bar (Schmitt trigger input, active low)
38	TEST	In	D, 5V Safe, PD	Hardware Test enable (Schmitt trigger input)
39	TX_ENB	Out	D, 5V Safe, OD	TX enable (active low)
40	NC			Not connected pin. Tie to GND.
41	TX_OUT	Out	A	Transmitter output
42	ALC_IN	In	A	Automatic level control input
43	VDDA		P	3.3V analog supply
44	VSSA		P	Analog ground
45	RX_OUT	Out	A	Output of receiver low noise operational amplifier
46	RX_IN	In	A	Positive input of receiver low noise operational amplifier
47	REF_OUT	Out	A	Reference output for stabilization
48	ZC_IN	In	A	50/60 Hz input for mains zero cross detection
49	ENB	In	D	Enable / shutdown power amplifier (active low)
50	A+	In	A	Positive (+) input of operational amplifier A
51	A-	In	A	Negative (-) input of operational amplifier A
52	A_OUT	Out	A	Output of operational amplifier A
53	VCC		P	Positive supply for power amplifiers A and B
54	B_OUT1	Out	A	Output of operational amplifier B
55	B_OUT2	Out	A	Output of operational amplifier B

P: Power pin
 A: Analog pin
 D: Digital pin
 PD: Internal Pull Down resistor
 OD: Open Drain Output

5V Safe: IO that support the presence of 5V on bus line
 Out: Output signal
 In: Input signal

Table 5. NCN49599QFN PIN FUNCTION DESCRIPTION IN ROM MODE*

Pin No.	Pin Name	I/O	Type	Description
11	IO0/RX_DATA	Out	D, 5V Safe, OD	Data reception indication (in ROM mode)
32	IO2/T_REQ	In	D, 5V Safe	Transmit Request input (in ROM mode)
36	IO1/CRC	Out	D, 5V Safe, OD	Correct frame CRC indication (in ROM mode)

*ROM mode: IO0,IO1 and IO2 has predefined function when NCN49599 boots from ROM

Detailed Pin Description

VDDA

VDDA is the positive analog supply pin. Nominal voltage is 3.3 V. A ceramic decoupling capacitor $C_{DA} = 100\text{ nF}$ must be placed between this pin and the VSSA. Connection path of this capacitance to the VSSA on the PCB should be kept as short as possible in order to minimize the serial resistance.

REF_OUT

REF_OUT is the analog output pin which provides the voltage reference used by the A/D converter. This pin must be decoupled to the analog ground by a $1\text{ }\mu\text{F}$ ceramic capacitance C_{DREF} . The connection path of this capacitor to the VSSA on the PCB should be kept as short as possible in order to minimize the serial resistance.

VSSA

VSSA is the analog ground supply pin.

VDD

VDD is the 3.3 V digital supply pin. A ceramic decoupling capacitor $C_{DD} = 100\text{ nF}$ must be placed between this pin and the VSS. Connection path of this capacitance to the VSS on the PCB should be kept as short as possible in order to minimize the serial resistance.

VSS

VSS is the digital ground supply pin.

VDD1V8

This is an additional power supply pin to decouple an internal LDO regulator. The decoupling capacitor should be placed as close as possible to this output pin as illustrated in Figure 3.

VEE

VEE is the ground of the power amplifier. It is important to foresee a separate power ground line to this connection able to conduct 1.2 A without significant voltage drop. A recommended layout is illustrated in Figure 3.

VCC

VCC is the supply connection to the power amplifier. This connection should be able to conduct 1.2 A without significant voltage drop. A decoupling capacitor should be placed as close as possible to this power pin as illustrated in Figure 3.

RX_OUT

RX_OUT is the output analog pin of the receiver low noise input op-amp. This op-amp is in a negative feedback configuration.

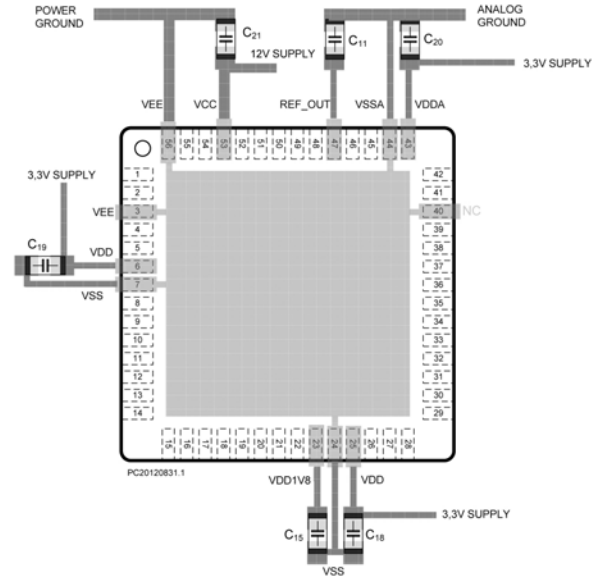


Figure 3: Recommended Layout of the Placement of Decoupling Capacitors

RX_IN

RX_IN is the positive analog input pin of the receiver low noise input op-amp. Together with RX_OUT and REF_OUT, an active high pass filter is realized. This filter removes the main frequency (50 or 60 Hz) from the received signal. The filter characteristics are determined by external capacitors and resistors. A typical application schematic can be found in paragraph 50/60 Hz Suppression Filter.

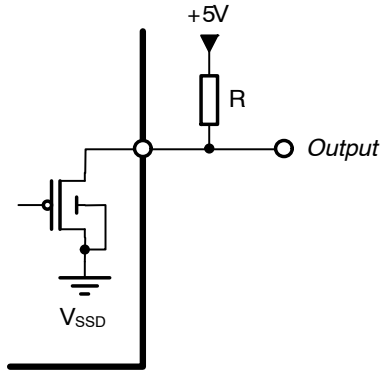
ZC_IN

ZC_IN is the mains frequency analog input pin. The signal is used to detect the zero cross of the 50 or 60 Hz sine wave. This information is used, after filtering with the internal PLL, to synchronize frames with the mains frequency. In case of direct connection to the mains it is advised to use a series resistor of $1\text{ M}\Omega$ in combination with two external clamp diodes in order to limit the current flowing through the internal protection diodes.

RX_DATA (in ROM Mode Only)

RX_DATA is a 5 V compliant open drain output. An external pull-up resistor defines the logic high level as illustrated in Figure 4. A typical value for the pull-up resistance “R” is $10\text{ k}\Omega$. The signal on this output depends on the status of the data reception. If NCN49599 waits for

configuration RX_DATA outputs a pulse train with a 10 Hz frequency. After Synchronization Confirm Time out RX_DATA = 0. If NCN49599 is searching for synchronization RX_DATA = 1.



PC20090722.2

Figure 4. Representation of 5V Safe Output

TDO, TDI, TCK, TMS, and TRSTB

All these pins are part of the JTAG bus interface. The JTAG interface is used during production test of the IC and will not be described here. Input pins (TDI, TCK, TMS, and TRSTB) contain internal pull-down resistance. TDO is an output. When not used, the JTAG interface pins may be left floating.

TXD/PRES

TXD/PRES is the output for either the transmitting data (TX_DATA) or a synchronization signal with the time-slots (PRE_SLOT). TXD/PRES. More information can be found in paragraph Local Port.

XIN

XIN is the analog input pin of the oscillator. It is connected to the interval oscillator inverter gain stage. The clock signal can be created either internally with the external crystal and two capacitors or by connecting an external clock signal to XIN. For the internal generation case, the two external capacitors and crystal are placed as shown in Figure 5. For the external clock connection, the signal is connected to XIN and XOUT is left unused.

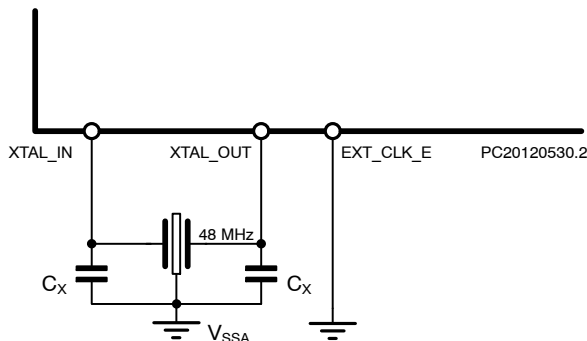


Figure 5. Placement of the Capacitors and Crystal with Clock Signal Generated Internally

The crystal is a classical parallel resonance type with its fundamental frequency equal to 48 MHz. For a typical load capacitance $C_L = 18$ pF specified by the manufacturer of the crystal, the value of $C_X = 36$ pF. The crystal has to fulfill impedance characteristics specified in the NCN49599 data sheet. As an oscillator is sensitive and precise, it is advised to put the crystal as close as possible on the board and to ground the case.

XOUT

XOUT is the analog output pin of the oscillator. When the clock signal is provided from an external generator, this output must be floating. When working with a crystal, this pin cannot be used directly as clock output because no additional loading is allowed on the pin (limited voltage swing).

EXT_CLK_E

EXT_CLK_E allows the user to connect an external clock instead of using a quartz. When this pin pulled to VDD an external clock has to be applied to the XIN pin. When EXT_CLK_E is connected to VSS, the quartz oscillator is operational.

TXD

TXD is the digital output of the asynchronous serial communication (SCI) unit. In half-duplex transmission (when booting from ROM) and in full-duplex mode (booted from Flash or after download over UART) it is used to realize the communication between the NCN49599 and the application microcontroller. The TXD is an open drain IO (5 V safe). External pull-up resistances (typically 10 kΩ) are necessary to generate the 5 V level. See Figure 4 for the circuit schematic.

RXD

This is the digital input of the asynchronous SCI unit. It is used in both half-duplex and full-duplex transmission (see TXD pin description). This pin supports a 5 V level. It is used to realize the communication between the NCN49599 and the application microcontroller. RXD is a 5 V safe input.

T_REQ (in ROM Mode Only)

T_REQ is the transmission request input of the Serial Communication Interface when used in half-duplex mode. When pulled low its initiate a local communication from the application micro controller to NCN49599. T_REQ is a 5 V safe input. See also paragraph Serial Communication Interface.

BR1, BR0

BR0 and BR1 are digital input pins. They are used to select the baud rate (bits/second) of the Serial Communication Interface unit in half-duplex mode. The rate is defined according to Table 29 BR1, BR0 Baud Rate. The values are taken into account after a reset, hardware or software. Modification of the baud rate during function is not possible. BR0 and BR1 are 5 V safe.

CRC (in ROM Mode Only)

CRC is a 5 V compliant open drain output. An external pull-up resistor defines the logic high level as illustrated in Figure 4. A typical value for this pull-up resistance “R” is 10 kΩ. The signal on this output depends on the cyclic redundancy code result of the received frame. If the cyclic redundancy code is correct CRC = H during the pause between two time slots.

RESB

RESB is a digital input pin. It is used to perform a hardware reset of the NCN49599. This pin supports a 5 V voltage level. The reset is active when the signal is low (0 V).

TEST

TEST is a digital input pin with internal pull down resistor used to enable the Hardware Test Mode of the chip. When TEST is left open or forced to ground Normal Mode is enabled. When TEST is forced to VDD the Hardware Test Mode is enabled. This mode is used during production test of the IC and will not be described here. TEST pin is not 5 V safe.

TX_ENB

TX_ENB is a digital output pin. It is low when the transmitter is activated. The signal is available to turn on the line driver. TX_ENB is a 5 V safe with open drain output, hence a pull-up resistance is necessary achieve the requested voltage level associated with a logical one. See also Figure 4 for reference.

TX_OUT

TX_OUT is the analog output pin of the transmitter. The provided signal is the S-FSK modulated frames. A filtering operation must be performed to reduce the second and third order harmonic distortion. For this purpose an active filter is suggested. See also paragraph Transmitter Output TX_OUT.

ALC_IN

ALC_IN is the automatic level control analog input pin. The signal is used to adjust the level of the transmitted signal. The signal level adaptation is based on the AC component. The DC level on the ALC_IN pin is fixed internally to 1.65 V. Comparing the peak voltage of the AC signal with two internal thresholds does the adaptation of the

gain. Low threshold is fixed to 0.4 V. A value under this threshold will result in an increase of the gain. The high threshold is fixed to 0.6 V. A value over this threshold will result in a decrease of the gain. A serial capacitance is used to block the DC components. The level adaptation is performed during the transmission of the first two bits of a new frame. Eight successive adaptations are performed. See also paragraph Amplifier with Automatic Level Control (ALC).

SCK, SDI, SDO, CSB

These signals form the SPI interface to an optional external Flash. See Reference 1.

SEN

SEN is the SPI enable signal. When pulled low NCN49599 will boot from the internal program ROM. When pulled high (connected to VDD) the SPI interface is active and the IC will boot from the external Flash. Boot up sequences are described in more detail in Reference 1.

IO0 .. IO7

IO0 to IO7 are 8 general purpose input/output pins. When booting from ROM (SEN = VSS) IO0 .. IO2 have predefined functions: RX_DATA, CRC and T_REQ respectively. When booting from external Flash the user have access to all 8 of them. More information can be found in Reference 1.

A-, A+, A_OUT, B-, B+, B_OUT1, B_OUT2

These are the interface pins to the 2 highly linear power operational amplifiers. Op Amp B is capable to drive 1.2 A.

RLIM

RLIM is the connection to the current limit set resistor defining the current protection level of power Op Amp B . Connecting a 5 kΩ resistor between RLIM and VEE sets the current limit to $I_{LIMIT} = 1.2 A$.

ILIM

ILIM is the current limitation flag. This digital output is logic high when the output current of Op Amp B $I_{OUT_B} > I_{LIMIT}$.

ENB

This digital input enables both power amplifiers A and B when ENB is driven low. A logic high will shutdown the amplifiers and put the outputs A_OUT, B_OUT1 and B_OUT2 in tri-state.

ELECTRICAL CHARACTERISTICS

DC and AC Characteristics

Oscillator: Pin XIN, XOUT

In production the actual oscillation of the oscillator and duty cycle will not be tested. The production test will be based on the static parameters and the inversion from XIN to XOUT in order to guarantee the functionality of the oscillator.

Table 6. OSCILLATOR

Parameter	Test Conditions	Symbol	Min	Typ	Max	Unit
Crystal frequency	(Note 1)	f_{CLK}	-100 ppm	48	+100 ppm	MHz
Duty cycle with quartz connected	(Note 1)		35		65	%
Start-up time	(Note 1)	$T_{startup}$			15	ms
Load capacitance external crystal	(Note 1)	C_L		18		pF
Series resistance external crystal	(Note 1)	R_S	1	6	60	Ω
Maximum Capacitive load on XOUT	XIN used as clock input	CL_{XOUT}			15	pF
Low input threshold voltage	XIN used as clock input	$V_{IL_{XOUT}}$	$0.3 V_{DD}$			V
High input threshold voltage	XIN used as clock input	$V_{IH_{XOUT}}$			$0.7 V_{DD}$	V
Low output voltage	XIN used as clock input, XOUT = 2 mA	$V_{OL_{XOUT}}$			0.3	V
High input voltage	XIN used as clock input	$V_{OH_{XOUT}}$			$V_{DD} - 0.3$	V

1. Guaranteed by design. Maximum allowed series loss resistance is 60 Ω

Zero Cross Detector and 50/60 Hz PLL: Pin ZC_IN

Table 7. ZERO CROSS DETECTOR AND 50/60 HZ PLL

Parameter	Test Conditions	Symbol	Min	Typ	Max	Unit
Maximum peak input current		I_{mpZC_IN}	-20		20	mA
Maximum average input current	During 1 ms	I_{mavZC_IN}	-2		2	mA
Mains voltage (ms) range	With protection resistor at ZC_IN	V_{MAINS}	90		550	V
Rising threshold level	(Note 2)	V_{IRZC_IN}			1.9	V
Falling threshold level	(Note 2)	V_{IFZC_IN}	0.85			V
Hysteresis	(Note 2)	V_{HYZC_IN}	0.4			V
Lock range for 50 Hz (Note 3)	MAINS_FREQ = 0 (50 Hz)	$F_{lock50Hz}$	45		55	Hz
Lock range for 60 Hz (Note 3)	MAINS_FREQ = 0 (60 Hz)	$F_{lock60Hz}$	54		66	Hz
Lock time (Note 3)	MAINS_FREQ = 0 (50 Hz)	$T_{lock50Hz}$			15	s
Lock time (Note 3)	MAINS_FREQ = 0 (60 Hz)	$T_{lock60Hz}$			20	s
Frequency variation without going out of lock (Note 3)	MAINS_FREQ = 0 (50 Hz)	DF_{60Hz}			0.1	Hz/s
Frequency variation without going out of lock (Note 3)	MAINS_FREQ = 0 (60 Hz)	DF_{50Hz}			0.1	Hz/s
Jitter of CHIP_CLK (Note 3)		$Jitter_{CHIP_CLK}$	-25		25	μs

2. Measured relative to VSS

3. These parameters will not be measured in production since the performance is totally dependent of a digital circuit which will be guaranteed by the digital test patterns.

Transmitter External Parameters: Pin TX_OUT, ALC_IN, TX_ENB

To guarantee the transmitter external specifications the TX_CLK frequency must be 12 MHz ± 100 ppm.

Table 8. TRANSMITTER EXTERNAL PARAMETERS

Parameter	Test Conditions	Symbol	Min	Typ	Max	Unit
Maximum peak output level	f _{TX_OUT} = 23 kHz f _{TX_OUT} = 148.5 kHz Level control at max. output	V _{TX_OUT}	0.85 0.76		1.15 1.22	Vp
Second order harmonic distortion	f _{TX_OUT} = 148.5 kHz Level control at max. output	HD2			-55	dB
Third order harmonic distortion	f _{TX_OUT} = 148.5 kHz Level control at max. output	HD3			-57	dB
Frequency accuracy of the generated sine wave	(Notes 4 and 6)	Df _{TX_OUT}			30	Hz
Capacitive output load at pin TX_OUT	(Note 4)	CL _{TX_OUT}			20	pF
Resistive output load at pin TX_OUT		RL _{TX_OUT}	5			kΩ
Turn off delay of TX_ENB output	(Note 5)	Td _{TX_ENB}	0.25		0.5	ms
Automatic level control attenuation step		ALC _{step}	2.9		3.1	dB
Maximum attenuation		ALC _{range}	20.3		21.7	dB
Low threshold level on ALC_IN		V _{TL} _{ALC_IN}	0.46		0.34	V
High threshold level on ALC_IN		V _{TH} _{ALC_IN}	0.72		0.54	V
Input impedance of ALC_IN pin		R _{ALC_IN}	111		189	kΩ
Power supply rejection ration of the transmitter section	(Note 7) (Note 8)	PSRR _{TX_OUT}	10 35			dB

4. This parameter will not be tested in production.
5. This delay corresponds to the internal transmit path delay and will be defined during design.
6. Taking into account the resolution of the DDS and an accuracy of 100 ppm of the crystal.
7. A sinusoidal signal of 10 kHz and 100 mVpp is injected between VDDA and VSSA. The digital AD converter generates an idle pattern. The signal level at TX_OUT is measured to determine the parameter.
8. A sinusoidal signal of 50 Hz and 100 mVpp is injected between VDDA and VSSA. The digital AD converter generates an idle pattern. The signal level at TX_OUT is measured to determine the parameter.

The LPF filter + amplifier must have a frequency characteristic between the limits listed below. The absolute output level depends on the operating condition. In production the measurement will be done for relative output levels where the 0 dB reference value is measured at 50 kHz with a signal amplitude of 100 mV.

Table 9. TRANSMITTER FREQUENCY CHARACTERISTICS

Frequency (kHz)	Attenuation		Unit
	Min	Max	
10	-0.5	0.5	dB
145.5	-1.3	0.5	dB
195	-4.5	-1.5	dB
245		-3.0	dB
500		-18.0	dB
1000		-36.0	dB
2000		-50	dB

Receiver External Parameters: Pin RX_IN, RX_OUT, REF_OUT

Table 10. RECEIVER EXTERNAL PARAMETERS

Parameter	Test Conditions	Symbol	Min	Typ	Max	Unit
Input offset voltage 42 dB	AGC gain = 42 dB	V _{OFFS_RX_IN}			5	mV
Input offset voltage 0 dB	AGC gain = 0 dB	V _{OFFS_RX_IN}			50	mV
Max. peak input voltage (corresponding to 62.5% of the SD full scale)	AGC gain = 0 dB (Note 9)	V _{MAX_RX_IN}	0.85		1.15	V _p
Input referred noise of the analog receiver path	AGC gain = 42 dB (Notes 9 and 10)	NF _{RX_IN}			150	nV/√Hz
Input leakage current of receiver input		I _{LE_RX_IN}	-1		1	μA
Max. current delivered by REF_OUT		I _{Max_REF_OUT}	-300		300	mA
Power supply rejection ratio of the receiver input section	AGC gain = 42 dB (Note 11)	PSRR _{LPF_OUT}	10			dB
	AGC gain = 42 dB (Note 12)		35			dB
AGC gain step		AGC _{step}	5.5		6.5	dB
AGC range		AGC _{range}	39.9		44.1	dB
Analog ground reference output voltage		V _{REF_OUT}	1.52		1.78	V
Signal to noise ratio at 62.5 % of the SD full scale	(Notes 9 and 13)	SN _{AD_OUT}	54			dB
Clipping level at the output of the gain stage (RX_OUT)		V _{CLIP_AGC_IN}	1.05		1.65	V _p

9. Input at RX_IN, no other external components.

10. Characterization data only. Not tested in production.

11. A sinusoidal signal of 10 kHz and 100 mVpp is injected between VDDA and VSSA. The signal level at the differential LPF_OUT and REF_OUT output is measured to determine the parameter.

12. A sinusoidal signal of 50 Hz and 100 mVpp is injected between VDDA and VSSA. The signal level at the differential LPF_OUT output is measured to determine the parameter.

13. These parameters will be tested in production with an input signal of 95 kHz and 1 Vp by reading out the digital samples at the point AD_OUT with the default settings of T_RX_MOD[7], SDMOD_TYP, DEC_TYP, and COR_F_ENA. The AGC gain is switched to 0 dB.

The receive LPF filter + AGC + low noise amplifier must have a frequency characteristic between the limits listed below. The absolute output level depends on the operating condition.

Table 11. RECEIVER FREQUENCY CHARACTERISTICS

Frequency (kHz)	Attenuation		Unit
	Min	Max	
10	-0.5	0.5	dB
148.5	-1.3	0.5	dB
195	-4.5	-2.0	dB
245		-3.0	dB
500		-18.0	dB
1000		-36.0	dB
2000		-50	dB

NCN49599

Power Amplifier Parameters: Pin A+, A-, A_OUT, B+, B-, BOUT1&2, VSS, VEE, ENB

Table 12. POWER AMPLIFIER GENERAL PARAMETERS

Parameter	Test Conditions	Symbol	Min	Typ	Max	Unit
Output shutdown time	ENB 0 → 1			60		ns
Output enable time	ENB 1 → 0			5	10	μs
Quiescent Current	ENB = 0	I _{Q_EN}		20	40	mA
	ENB = 1	I _{Q_DIS}		140	200	μA
Thermal shutdown	(Note 14)		+150	+160		°C
Recovery from thermal shutdown	(Note 14)			+135		°C

14. Characterization data only. Not tested in production.

Table 13. POWER AMPLIFIER EXTERNAL PARAMETERS OP AMP A

Parameter	Test Conditions	Symbol	Min	Typ	Max	Unit
Input Offset Voltage	V _{CC} = +12 V, V _{EE} = 0 V	V _{OS}		±3	±10	mV
Offset vs Power Supply	V _{CC} = +6 V, V _{EE} = -6 V	PSRR		25	150	μV/V
Input Bias Current	(Note 15)	I _B			1	nA
Input Voltage Noise Density	f = 1 kHz, V _{IN} = GND, BW = 131 kHz (Note 15)	e _n		250		nV/√Hz
Common-Mode Voltage Range		V _{CM}	V _{EE} - 0.1		V _{CC} - 3	V
Common-Mode Rejection Ratio	V _{EE} - 0.1 ≤ V _{CM} ≤ V _{CC} - 3	CMRR	70	85		dB
Differential input impedance				0.2 1.5		GΩ pF
Common-Mode input impedance				0.2 3		GΩ pF
Open-Loop Gain	R _L = 500 Ω (Note 15)		80	100		dB
Gain Bandwidth Product		GWP		80		MHz
Full Power Bandwidth	G = +5, V _{out} = 11 V _{PP} (Note 15)		0.2	1.5		MHz
Slew Rate		SR		60		V/μs
Total Harmonic Distortion + Noise	G = +1, R _L = 500 Ω, V _O = 8 V _{PP} , f = 1 kHz, C _{IN} = 220 μF, C _{OUT} = 330 μF	THD+N		0.015		%
	G = +1, R _L = 50 Ω, V _O = 8 V _{PP} , f = 100 kHz, C _{IN} = 220 μF, C _{OUT} = 330 μF	THD+N		0.023		%
Voltage Output Swing from Rail	V _{CC} = +12 V, V _{EE} = 0 V					
From Positive Rail	I _L = -12 mA	V _{OH}		0.3	1	V
From Negative Rail	I _L = +12 mA	V _{OL}		0.3	1	V
Short - Circuit Current		I _{SC}		280		mA
Output Impedance	Closed Loop G = +4, f = 100 kHz	Z ₀		0.25		Ω
Capacitive Load Drive		C _{LOAD}		100		pF

15. Characterization data only. Not tested in production.

Table 14. POWER AMPLIFIER EXTERNAL PARAMETERS OP AMP B

Parameter	Test Conditions	Symbol	Min	Typ	Max	Unit
Input Offset Voltage	$V_{CC} = +12\text{ V}, V_{EE} = 0\text{ V}$	V_{OS}		± 3	± 10	mV
Offset vs Power Supply	$V_{CC} = +12\text{ V}, V_{EE} = 0\text{ V}$	PSRR		25	150	$\mu\text{V/V}$
Input Bias Current	(Note 16)	I_B			1	nA
Input Voltage Noise Density	$f = 1\text{ kHz}, V_{IN} = \text{GND},$ $\text{BW} = 131\text{ kHz}$	e_n		125		nV/ $\sqrt{\text{Hz}}$
Common – Mode Voltage Range		V_{CM}	$V_{EE} - 0.1$		$V_{CC} - 3$	V
Common – Mode Rejection Ratio	$V_{EE} - 0.1 \leq V_{CM} \leq V_{CC} - 3$	CMRR	70	85		dB
Differential input impedance				0.2 11		$\text{G}\Omega$ pF
Common – Mode input impedance				0.2 22		$\text{G}\Omega$ pF
Open – Loop Gain	$R_L = 5\ \Omega$ (Note 16)		80	100		dB
Gain Bandwidth Product		GWP		60		MHz
Full Power Bandwidth	$G = +2, V_{out} = 11\text{ V}_{PP}$ (Note 16)		200	400		kHz
Slew Rate		SR		70		V/ μs
Total Harmonic Distortion + Noise	$G = +1, R_L = 50\ \Omega, V_O = 8\text{ V}_{PP},$ $f = 1\text{ kHz}$	THD+N		0.015		%
	$G = +1, R_L = 50\ \Omega, V_O = 8\text{ V}_{PP},$ $f = 100\text{ kHz}$	THD+N		0.067		%
Voltage Output Swing from Rail	$V_{CC} = +12\text{ V}, V_{EE} = 0\text{ V}$					
From Positive Rail	$I_{OUT} = -1.2\text{ A @ } T_J = 25^\circ\text{C}$	V_{OH}		0.7	1	V
	$I_{OUT} = -1.0\text{ A @ } T_J = 125^\circ\text{C}$	V_{OH}		0.7	1	V
From Negative Rail	$I_{OUT} = +1.2\text{ A @ } T_J = 25^\circ\text{C}$	V_{OH}		0.4	1	V
	$I_{OUT} = +1.0\text{ A @ } T_J = 125^\circ\text{C}$	V_{OH}		0.4	1	V
Short – Circuit Current	$R_{LIM} = 5\text{ k}\Omega$	I_{SC}	1.2			A
Output Impedance	Closed Loop $G = +1,$ $f = 100\text{ kHz}$					
Enabled Mode	ENB = 0	Z_0		0.065		Ω
Shutdown Mode	ENB = 1	Z_0		12		$\text{M}\Omega$
Capacitive Load Drive		C_{LOAD}		500		nF

16. Characterization data only. Not tested in production.

Power-on-Reset (POR)

Table 15. POWER-ON-RESET

Parameter	Test Conditions	Symbol	Min	Typ	Max	Unit
POR threshold		V_{POR}	2.1		2.7	V
Power supply rise time	0 to 3V	T_{RPOR}	1			ms

Digital Outputs: TDO, CLK_OUT

Table 16. DIGITAL OUTPUTS: TDO, CLK_OUT

Parameter	Test Conditions	Symbol	Min	Typ	Max	Unit
Low output voltage	$I_{XOUT} = 3\text{ mA}$	V_{OL}			0.4	V
High output voltage	$I_{XOUT} = -3\text{ mA}$	V_{OH}	0.85 V_{DD}			V

Digital Outputs with Open Drain: TX_ENB, TXD

Table 17. DIGITAL OUTPUTS WITH OPEN DRAIN: TX_ENB, TXD, RX_DATA, CRC, T_REQ

Parameter	Test Conditions	Symbol	Min	Typ	Max	Unit
Low output voltage	$I_{XOUT} = 4 \text{ mA}$	V_{OL}			0.4	V

Digital Inputs: BR0, BR1

Table 18. DIGITAL INPUTS: BR0, BR1

Parameter	Test Conditions	Symbol	Min	Typ	Max	Unit
Low input level		V_{IL}			$0.2 V_{DD}$	V
High input level	0 to 3 V	V_{IH}	$0.8 V_{DD}$			V
Input leakage current		I_{LEAK}	-10		10	μA

Digital Inputs with Pull Down: TDI, TMS, TCK, TRSTB, TEST

Table 19. DIGITAL INPUTS WITH PULL DOWN: TDI, TMS, TCK, TRSTB, TEST

Parameter	Test Conditions	Symbol	Min	Typ	Max	Unit
Low input level		V_{IL}			$0.2 V_{DD}$	V
High input level		V_{IH}	$0.8 V_{DD}$			V
Pull down resistor	(Note 17)	R_{PU}	7		50	$k\Omega$

17. Measured around a bias point of $V_{DD}/2$.

Digital Schmitt Trigger Inputs: RXD, RESB

Table 20. DIGITAL SCHMITT TRIGGER INPUTS: RXD, RESB

Parameter	Test Conditions	Symbol	Min	Typ	Max	Unit
Rising threshold level		V_{T+}			$0.80 V_{DD}$	V
Falling threshold level		V_{T-}	$0.2 V_{DD}$			V
Input leakage current		I_{LEAK}	-10		10	μA

Current Consumption

Table 21. CURRENT CONSUMPTION

Parameter	Test Conditions	Symbol	Min	Typ	Max	Unit
Current consumption in receive mode	Current through V_{DD} and V_{DDA} (Note 18)	I_{RX}			60	mA
Current consumption in transmit mode	Current through V_{DD} and V_{DDA} (Note 18)	I_{TX}			60	mA
Current consumption when RESB = 0	Current through V_{DD} and V_{DDA} (Note 18)	I_{RESET}			4	mA
Current consumption when ENB = 0	Quiescent current though V_{CC}	I_{Q_EN}		20	40	mA
Current consumption when ESNB = 1	Quiescent current though V_{CC}	I_{Q_HiZ}		120	150	μ A

18. $f_{CLK} = 48$ MHz.

INTRODUCTION

General Description

The NCN49599 is a single chip half duplex S-FSK modem dedicated to power line carrier (PLC) data transmission on low- or medium-voltage power lines. The device offers complete handling of the protocol layers from the physical up to the MAC. NCN49599 complies with the CENELEC EMC standard EN 50065-1 and the IEC 61334-5-1 standards. It operates from a 3.3 V and 12 V power supply and is interfaced to the power line by an integrated power amplifier and transformer. An internal PLL is locked to the mains frequency and is used to synchronize the data transmission at data rates of 300, 600, 1200, 2400 and 4800 baud for a 50 Hz mains frequency, or 360, 720, 1440, 2880 and 5760 baud for a 60 Hz mains frequency. In both cases this corresponds to 3, 6, 12 or 24 data bits per half cycle of the mains period.

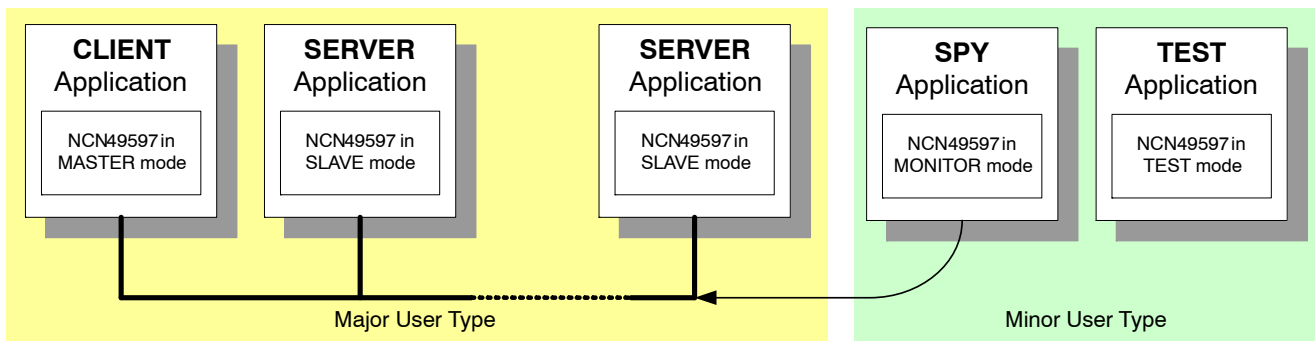
S-FSK is a modulation and demodulation technique that combines some of the advantages of a classical spread spectrum system (e.g. immunity against narrow band interferers) with the advantages of the classical FSK system (low complexity). The transmitter assigns the space frequency f_s to “data 0” and the mark frequency f_m to “data 1”. The difference between S-FSK and the classical FSK lies in the fact that f_s and f_m are now placed far from each other, making their transmission quality independent from each other (the strengths of the small interferences and the signal attenuation are both independent at the two frequencies). The frequency pairs supported by the NCN49599 are in the range of 9 – 150 kHz with a typical separation of 10 kHz.

The conditioning and conversion of the signal is performed at the analog front-end of the circuit. The further processing of the signal and the handling of the protocol is digital. At the back-end side, the interface to the application

is done through a serial interface. The digital processing of the signal is partitioned between hardwired blocks and a microprocessor block. The microprocessor is controlled by firmware. Where timing is most critical, the functions are implemented with dedicated hardware. For the functions where the timing is less critical, typically the higher level functions, the circuit makes use of the ARM microprocessor core.

The processor runs DSP algorithms and, at the same time, handles the communication protocol. The communication protocol, in this application, contains the MAC = Medium Access Control Layer. The program is stored in a masked ROM. Depending on the status of the SEN input, after power on reset NCN49599 will boot from internal ROM or external Flash or over the Serial Communication Interface. The working data necessary for the processing is stored in an internal RAM. At the back-end side the link to the application hardware is provided by a Serial Communication Interface (SCI). The SCI is an easy to use serial interface, which allows communication between an external processor used for the application software and the NCN49599 modem. The SCI works on two wires: TXD and RXD. Baud rate is programmed by setting 2 bits (BR0, BR1).

Because the low protocol layers are handled in the circuit, the NCN49599 provides an innovative architectural split. Thanks to this, the user has the benefit of a higher level interface of the link to the PLC medium. Compared to an interface at the physical level, the NCN49599 allows faster development of applications. The user just needs to send the raw data to the NCN49599 and no longer has to take care of the protocol detail of the transmission over the specific medium. This last part represents usually 50% of the software development costs.



PC201111 12.2

Figure 6. Application Examples

NCN49599 is intended to connect equipment using Distribution Line Carrier (DLC) communication. It serves two major and two minor types of applications:

- Major types:
 - ◆ Master or Client:
 - A Master is a client to the data served by one or many slaves on the power line. It collects data from and controls the slave devices. A typical application is a concentrator system
 - ◆ Slave or Server:
 - A Slave is a server of the data to the Master. A typical application is an electricity meter equipped with a PLC modem.
- Minor type:
 - ◆ Spy or Monitor:
 - Spy or Monitor mode is used to only listen to the data that comes across the power line. Only the physical layer frame correctness is checked. When the frame is correct, it is passed to the external processor.
 - ◆ Test Mode:
 - The Software Test Mode is used to test the compliance of a PLC modem conforms to CENELEC. EN 50065–1 by a continuous broadcast of f_S or f_M .

Functional Description

The block diagram below represents the main functional units of the NCN49599:

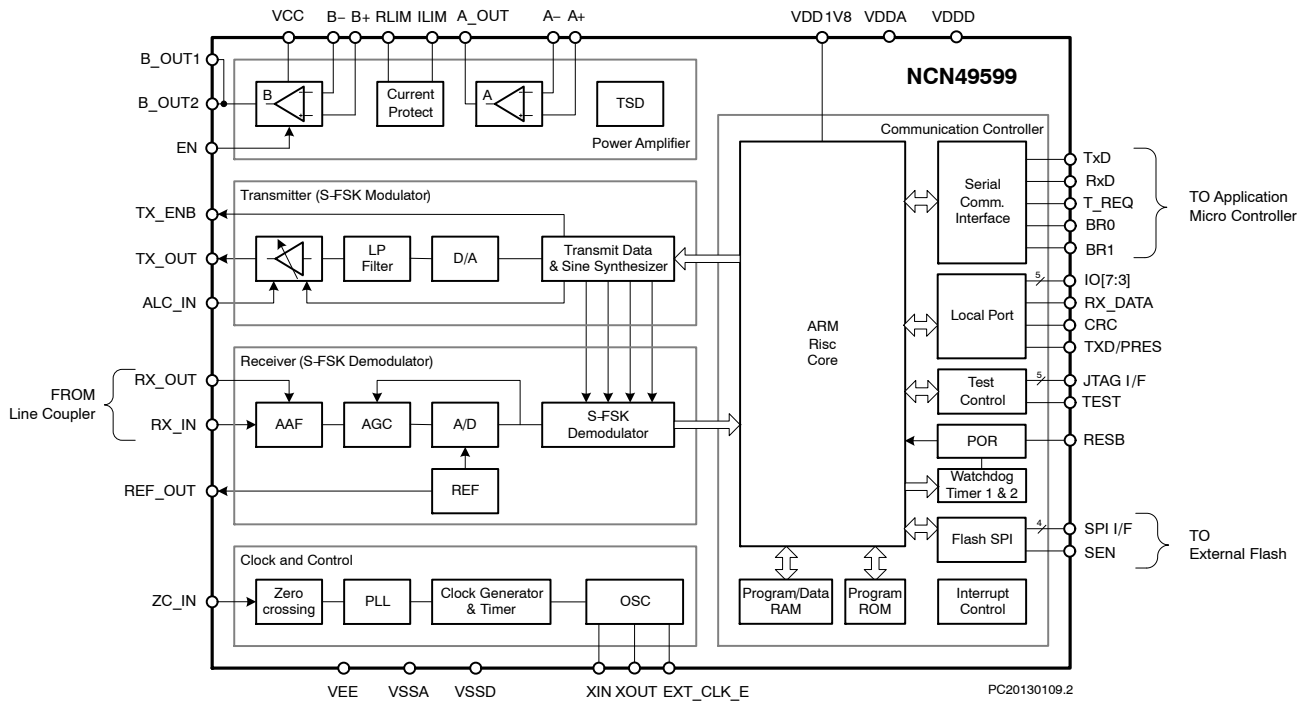


Figure 7. S-FSK Modem NCN49599 Block Diagram

Power Amplifier

The Power Amplifier block contains a Class A/B, low distortion line driver. Its design is optimized to accept a signal from the transmitter. The output stage is designed to drive up to 1.2 A peak into an isolation transformer or simple coil coupling to the mains. At output current of 1.2 A, the output voltage is guaranteed to swing within 1 V or less of either rail giving the user improved SNR. The input stage contains an operational amplifier which can be configured as a unity gain follower buffer or used to provide the first stage of a 4-pole low pass filter. Current protection is set with a single resistor, RLIM, together with a current limit flag. Thermal protection is set by a voltage level at the VWARN pin. The output stage goes into a high-impedance state once the junction temperature has exceeded +150°C.

Transmitter

The NCN49599 Transmitter function block prepares the communication signal which will be sent on the transmission channel during the transmitting phase. This block is connected to a power amplifier which injects the output signal on the mains through a line-coupler.

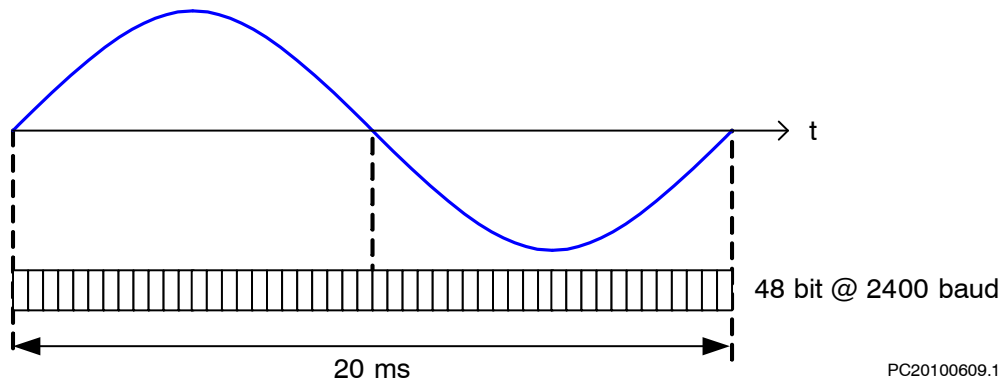
Receiver

The analog signal coming from the line-coupler is low pass filtered in order to avoid aliasing during the conversion. Then the level of the signal is automatically adapted by an

automatic gain control (AGC) block. This operation maximizes the dynamic range of the incoming signal. The signal is then converted to its digital representation using sigma delta modulation. From then on, the processing of the data is done in a digital way. By using dedicated hardware, a direct quadrature demodulation is performed. The signal demodulated in the base band is then low pass filtered to reduce the noise and reject the image spectrum.

Clock and Control

According to the IEC 61334-5-1 standard, the frame data is transmitted at the zero cross of the mains voltage. In order to recover the information at the zero cross, a zero cross detection of the mains is performed. A phase-locked loop (PLL) structure is used in order to allow a more reliable reconstruction of the synchronization. This PLL permits as well a safer implementation of the "repetition with credit" function (also known as chorus transmission). The clock generator makes use of a precise quartz oscillator master. The clock signals are then obtained by the use of a programmed division scheme. The support circuits are also contained in this block. The support circuits include the necessary blocks to supply the references voltages for the AD and DA converters, the biasing currents and power supply sense cells to generate the right power off and startup conditions.



PC20100609.1

Figure 8. Data Stream is in Sync with Zero Cross of the Mains (example for 50 Hz)

Communication Controller

The Communication Controller block includes the micro-processor, its peripherals: RAM, ROM, UART, TIMER, and the Power on reset. The processor uses the ARM Reduced Instruction Set Computer (RISC) architecture optimized for IO handling. For most of the instructions, the machine is able to perform one instruction per clock cycle. The microcontroller contains the necessary hardware to implement interrupt mechanisms, timers and is able to perform byte multiplication over one instruction cycle. Depending on the status of the SEN input, after power on reset NCN49599 will boot from internal ROM, external Flash or over the Serial Communication Interface. Booting from ROM will make the modem work conform to the IEC-61334-5 standard. The RAM contains the necessary space to store the working data. The back-end interface is done through the Serial Communication Interface block which works in half-duplex or full-duplex mode. This back-end is used for data transmission with the application micro controller and for the definition of the modem configuration.

Local Port

The controller uses 3 output ports to inform about the actual status of the PLC communication. RX_DATA indicates if Receiving is in progress, or if NCN49599 is waiting for synchronization, or of it configures. CRC indicates if the received frames are valid (CRC = OK). TXD/PRES is the output for either the transmitting data (TX_DATA) or a synchronization signal with the time-slots (PRE_SLOT).

Serial Communication Interface

When booting from ROM the local communication is a half duplex asynchronous serial link using a receiving input (RxD) and a transmitting output (TxD). The input port T_REQ is used to manage the local communication with the application micro controller and the baud rate can be selected depending on the status of two inputs BR0, BR1. These two inputs are taken in account after an NCN49599 reset. Thus when the application micro controller wants to change the baud rate, it has to set the two inputs and then provoke a reset. When booting from Flash or over the SCI, the Serial Communication Interface is Full Duplex.

DETAILED HARDWARE DESCRIPTION

Clock and Control

According to the IEC 61334-5-1 standard, the frame data is transmitted at the zero cross of the mains voltage. In order to recover the information at the zero cross, a zero cross detection of the mains is performed. A phase-locked loop (PLL) structure is used in order to allow a more reliable reconstruction of the synchronization. The output of this

block is the clock signal CHIP_CLK, 8 times over sampled with the bit rate. The oscillator makes use of precise 48 MHz quartz. This clock signal together with CHIP_CLK is fed into the Clock Generator and time block. Here several internal clock signals and timings are obtained by the use of a programmed division scheme.

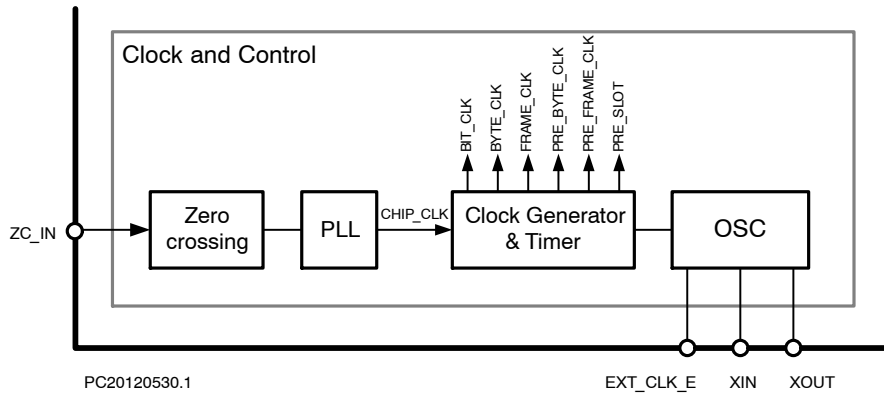
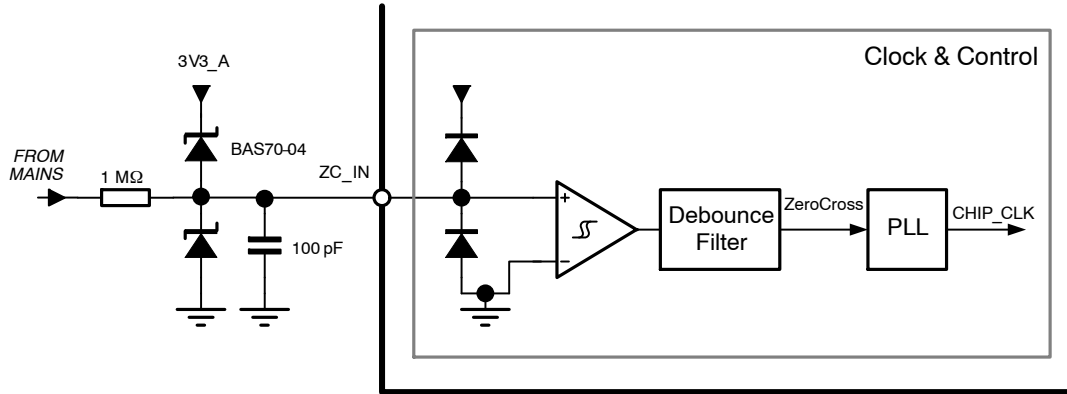


Figure 9. Clock and Control Block

Zero Cross Detector

ZC_IN is the mains frequency analog input pin. The signal is used to detect the zero cross of the 50 or 60 Hz sine wave. This information is used, after filtering with the internal PLL, to synchronize frames with the mains frequency. In

case of direct connection to the mains it is advised to use a series resistor of 1 MΩ in combination with two external Schottky clamp diodes in order to limit the current flowing through the internal protection diodes.



PC2010608.1

Figure 10. Zero Cross Detector with Falling Edge De-bounce Filter

The zero cross detector output is logic zero when the input is lower than the falling threshold level and a logic one when the input is higher than the rising threshold level. The falling

edges of the output of the zero cross detector are de-bounced by a period between 0.5 ms and 1 ms. The Rising edges are not de-bounced.

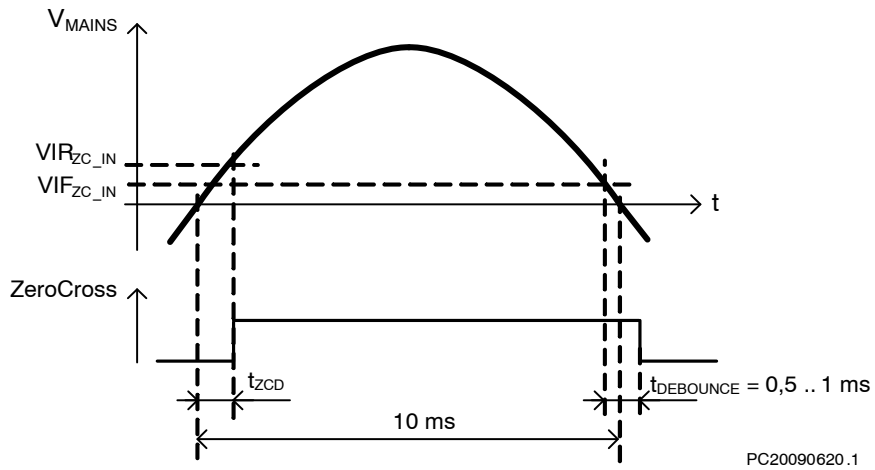


Figure 11. Zero Cross Detector Signals and Timing (example for 50 Hz)

50/60 Hz PLL

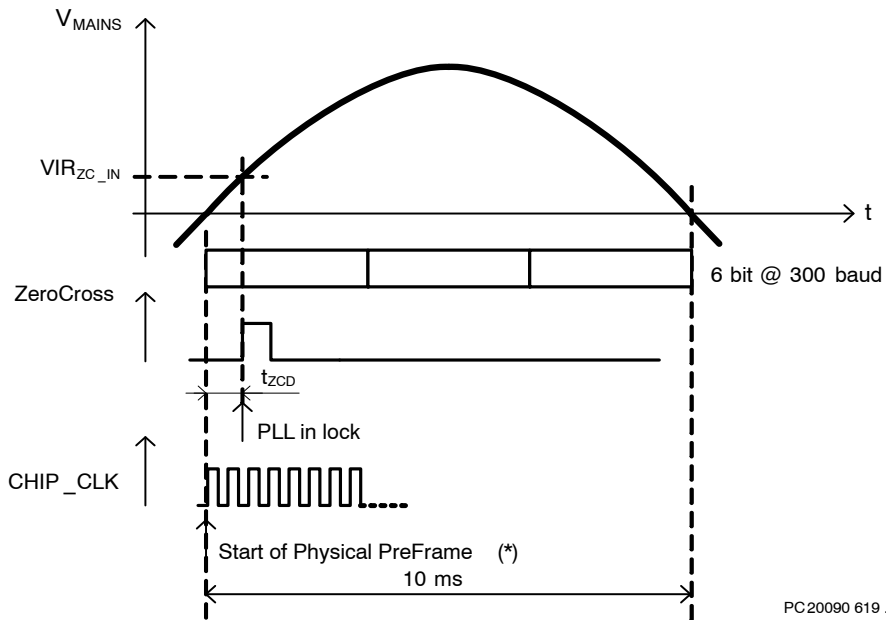
The output of the zero cross detector is used as an input for a PLL. The PLL generates the clock CHIP_CLK which is 8 times the bit rate and which is in phase with the rising edge

crossings. The PLL locks on the zero cross from negative to positive phase. The bit rate is always an even multiple of the mains frequency, so following combinations are possible:

Table 22. CHIP_CLK IN FUNCTION OF SELECTED BAUD RATE AND MAINS FREQUENCY

BAUD[2:0]	MAINS_FREQ	Baudrate	CHIP_CLK
000	50 Hz	300	2400 Hz
001		600	4800 Hz
010		1200	9600 Hz
011		2400	19200 Hz
100		4800	38400 Hz
000	60 Hz	360	2880 Hz
001		720	5760 Hz
010		1440	11520 Hz
011		2880	23040 Hz
100		5760	46080 Hz

In case no zero crossings are detected the PLL freezes its internal timers in order to maintain the CHIP_CLK timing.



*The start of the Physical Subframe is shifted back with $R_ZC_ADJUST[7:0] \times 13 \mu s = t_{ZCD}$ to compensate for the zero cross delay.

Figure 12. Zero Cross Adjustment to Compensate for Zero Cross Delay (example for 50 Hz)

The phase difference between the zero cross of the mains and CHIP_CLK can be tuned. This opens the possibility to compensate for external delay t_{ZCD} (e.g. opto coupler) and for the 1.9 V positive threshold VIR_{ZC_IN} of the zero cross detector. This is done by pre-loading the PLL counter with

a number value stored in register $R_ZC_ADJUST[7:0]$. The adjustment period or granularity is $13 \mu s$. The maximum adjustment is $255 \times 13 \mu s = 3.32 \text{ ms}$ which corresponds with $1/6^{\text{th}}$ of the 50 Hz mains sine period.

Table 23. ZERO CROSS DELAY COMPENSATION

R_ZC_ADJUST[7:0]	Compensation
0000 0000	0 μs
0000 0001	13 μs
0000 0010	26 μs
0000 0011	39 μs
...	...
1111 1111	3315 μs

Oscillator

The oscillator works with a standard parallel resonance crystal of 48 MHz. XIN is the input to the oscillator inverter gain stage and XOUT is the output.

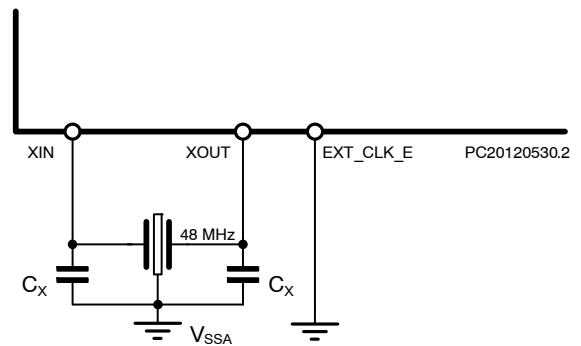


Figure 13. Placement of the Capacitors and Crystal with Clock Signal Generated Internally

For correct functionality the external circuit illustrated in Figure 13 must be connected to the oscillator pins. For a crystal requiring a parallel capacitance of 18 pF C_X must be around 36 pF. (Values of capacitors are indicative only and are given by the crystal manufacturer). To guarantee startup the series loss resistance of the crystal must be smaller than 60 Ω . EXT_CLK_E should be strapped to V_{SSA}. If an external clock of 48 MHz is used, this signal should be connected to XIN and EXT_CLK_E needs to be pulled to V_{DD}.

The oscillator output $f_{CLK} = 48$ MHz is the base frequency for the complete IC. The clock frequency for the ARM $f_{ARM} = f_{CLK}$. The clock for the transmitter, f_{TX_CLK} is equal to $f_{CLK} / 4$ or 12 MHz. All the transmitter internal clock signals will be derived from f_{TX_CLK} . The clock for the receiver,

f_{RX_CLK} is equal to $f_{CLK} / 8$ or 6 MHz. All the receiver internal clock signals will be derived from f_{RX_CLK} .

Clock Generator and Timer

The CHIP_CLK and f_{CLK} are used to generate a number of timing signals used for the synchronization and interrupt generation. The timing generation has a fixed repetition rate which corresponds to the length of a physical subframe. (see paragraph Reference 1)

The timing generator is the same for transmit and receive mode. When NCN49599 switches from receive to transmit and back from transmit to receive, the R_CHIP_CNT counter value is maintained. As a result all timing signals for receive and transmit have the same relative timing. The following timing signals are defined as:

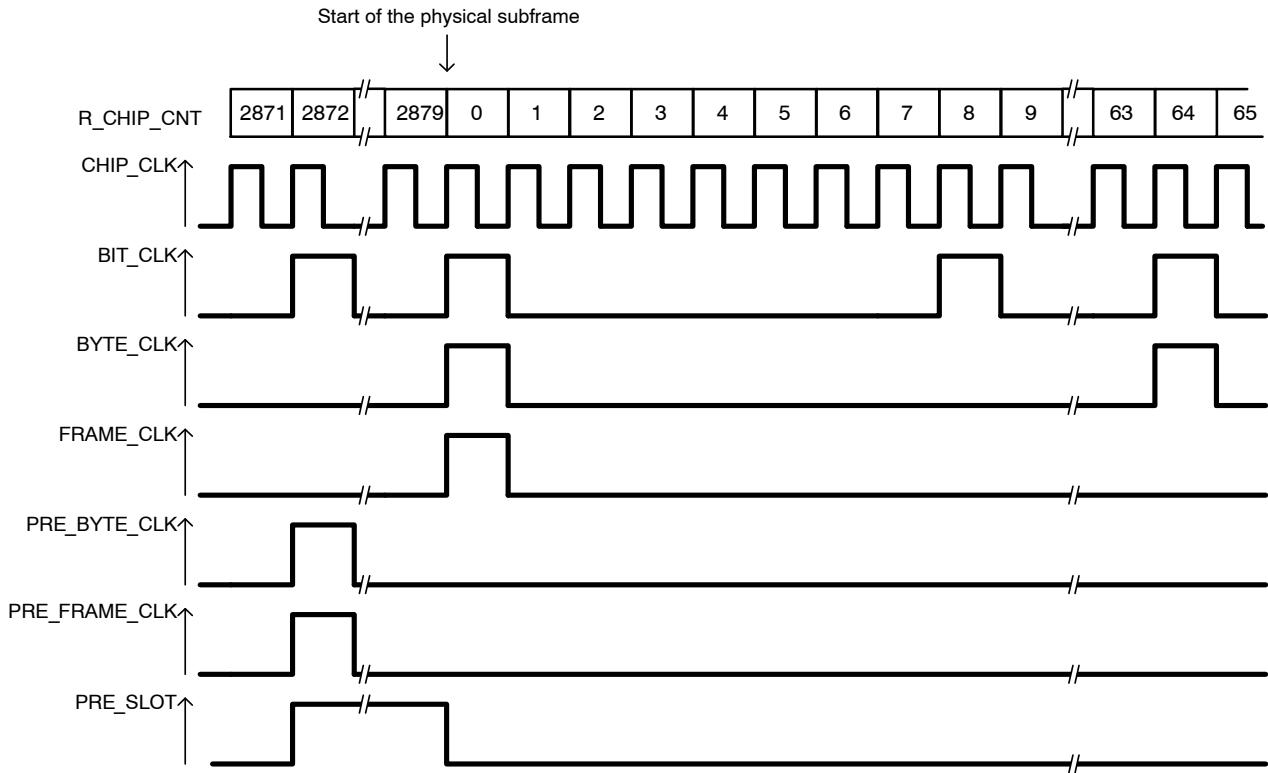


Figure 14. Timing Signals

PC20090619.1

CHIP_CLK: is the output of the PLL and 8 times the bit rate on the physical interface. See also paragraph 50/60 Hz PLL.

BIT_CLK: is active at counter values 0, 8, 16, .. 2872 and inactive at all other counter values. This signal is used to indicate the transmission of a new bit.

BYTE_CLK: is active at counter values 0, 64, 128, .. 2816 and inactive at all other counter values. This signal is used to indicate the transmission of a new byte.

FRAME_CLK: is active at counter values 0 and inactive at all other counter values. This signal is used to indicate the transmission or reception of a new frame.

PRE_BYTE_CLK is a signal which is 8 CHIP_CLK sooner than BYTE_CLK. This signal is used as an interrupt for the internal microcontroller and indicates that a new byte for transmission must be generated.

PRE_FRAME_CLK is a signal which is 8 CHIP_CLK sooner than FRAME_CLK. This signal is used as an interrupt for the internal microcontroller and indicates that a new frame will start at the next FRAME_CLK.

PRE_SLOT is logic 1 between the rising edge of PRE_FRAME_CLK and the rising edge of FRAME_CLK. This signal can be provided at the digital output pin

After a hard or soft reset or at the start of the transmission (when TX_RXB goes from 0 to 1) the phase accumulator must start at its 0 phase position, corresponding with a 0 V output level. When switching between f_M and f_S the phase accumulator must give a continuous phase and not restart from phase 0

When NCN49599 goes into receive mode (when TX_RXB goes from 1 to 0) the sine wave generator must make sure to complete the active sine period.

The control logic for the transmitter generates a signal TX_ENB to enable the integrated power amplifier.

TX_ENB is 1 when the NCN49599 is in receive mode. TX_ENB is 0 when NCN49599 is in transmit mode. When going from transmit to receive mode (TX_RXB goes from 1 to 0) the TX_ENB signal is kept active for a short period of t_{dTX_ENB} .

The control logic for the transmitter generates a signal TX_DATA which corresponds to the transmitted S-FSK signal. When transmitting f_M TX_DATA is logic 1. When transmitting f_S TX_DATA is logic 0. When the transmitter is not enabled (TX_RXB = 0) TX_DATA goes to logic 1 at the next BIT_CLK.

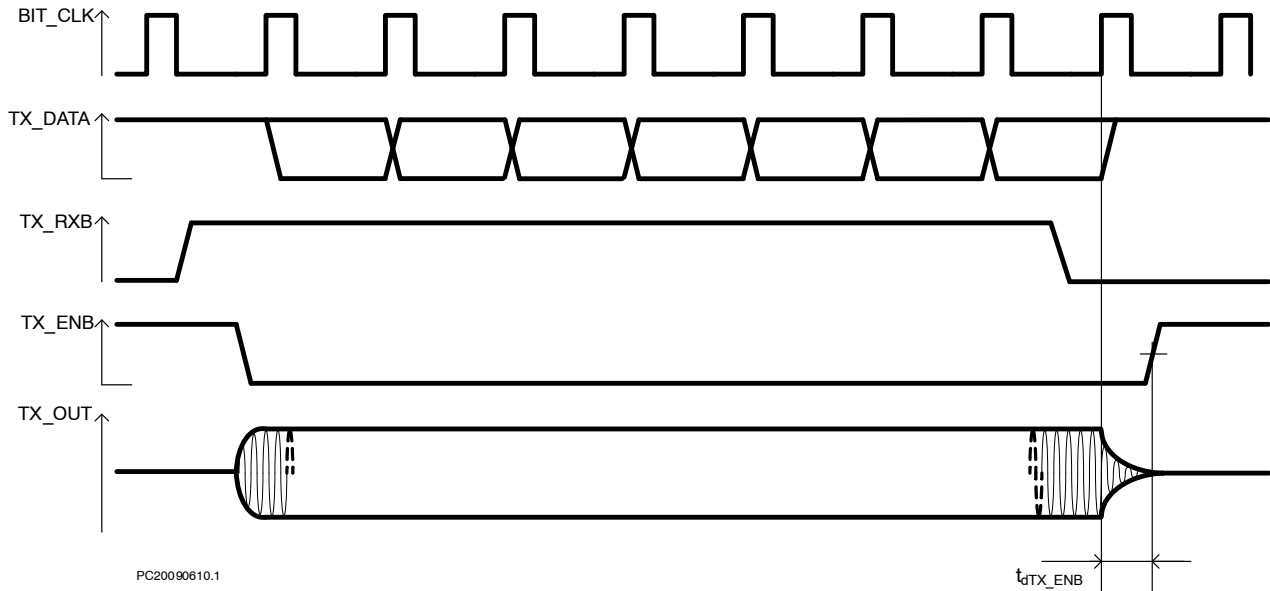


Figure 16. TX_ENB Timing

DA Converter

A digital to analog $\Sigma\Delta$ converter converts the sine wave digital word to a pulse density modulated (PDM) signal. The PDM signal is converted to an analog signal with a first order switched capacitor filter.

Low Pass Filter

A 3rd order continuous time low pass filter in the transmit path filters the quantization noise and noise generated by the $\Sigma\Delta$ DA converter. The typical corner frequency $f_{-3dB} = 138$ kHz and is internally trimmed to compensate for process variation. This filter can be tuned to $f_{-3dB} = 195$ kHz to allow operating in the D-band as described in Reference 1.

Amplifier with Automatic Level Control (ALC)

The pin ALC_IN is used for level control of the transmitter output level. First peak detection is done. The peak value is compared to two thresholds levels: $V_{TL_ALC_IN}$ and $V_{TH_ALC_IN}$. The result of the peak detection is used to control the setting of the level of TX_OUT. The level of TX_OUT can be attenuated in 8 steps of 3 dB typical.

After hard or soft reset the level is set at minimum level (maximum attenuation) When going to reception mode (when TX_RXB goes from 1 to 0) the level is kept in memory so that the next transmit frame starts with the old level. The evaluation of the level is done during 1 CHIP_CLK period.

Depending on the value of peak level on ALC_IN the attenuation is updated:

- $V_{PALC_IN} < V_{TL_ALC}$: increase the level with one 6 dB step
- $V_{TL_ALC} \leq V_{PALC_IN} \leq V_{TH_ALC}$: don't change the level
- $V_{PALC_IN} > V_{TH_ALC}$: decrease the level with one 6 dB step

The gain changes in the next CHIP_CLK period.

An evaluation phase and a level adjustment take 2 CHIP_CLK periods. ALC operation is enabled only during the first 16 CHIP_CLK cycles after a hard or soft reset or after going into transmit mode.

The automatic level control can be disabled by setting register $R_ALC_CTRL[3] = 1$. In this case the transmitter output level is fixed to the programmed level in the register $R_ALC_CTRL[2:0]$. See Reference 1.

Table 25. FIXED TRANSMITTER OUTPUT ATTENUATION

ALC_CTRL[2:0]	Attenuation
000	0 dB
001	-3 dB
010	-6 dB
011	-9 dB
100	-12 dB
101	-15 dB
110	-18 dB
111	-21 dB

Power Amplifier

The integrated power amplifier consists of 2 independent operational amplifiers. The first or input stage is designed to build a 2nd order low pass filter or to be used as unity gain follower buffer. The second or power stage is a low distortion Class A/B line driver able to deliver 1.2 A peak current with the output voltage guaranteed to swing within 1 V or less of either rail giving the user improved SNR. Current protection is set with a single resistor, R_{Lim}. The output stage goes into a high-impedance state once the junction temperature has exceeded +150°C

Coupling and filtering

Because the complete analog part of the S-FSK modulator inside NCN49599 is referenced to the analogue ground REF_OUT, and its output is DC coupled to the TX_OUT pin, a decoupling capacitor C₁ is needed when connecting it to the Power Amplifier. To suppress the second and third order harmonic of the generated S-FSK signal it is recommended to use a 2nd or 3rd order low pass filter. In Figure 17 a MFB topology of a 3rd order filter is illustrated to be compliant with the European CENELEC EN 50056-1 standard for signaling on low-voltage electrical installations in the frequency range 3 kHz to 148.5 kHz.

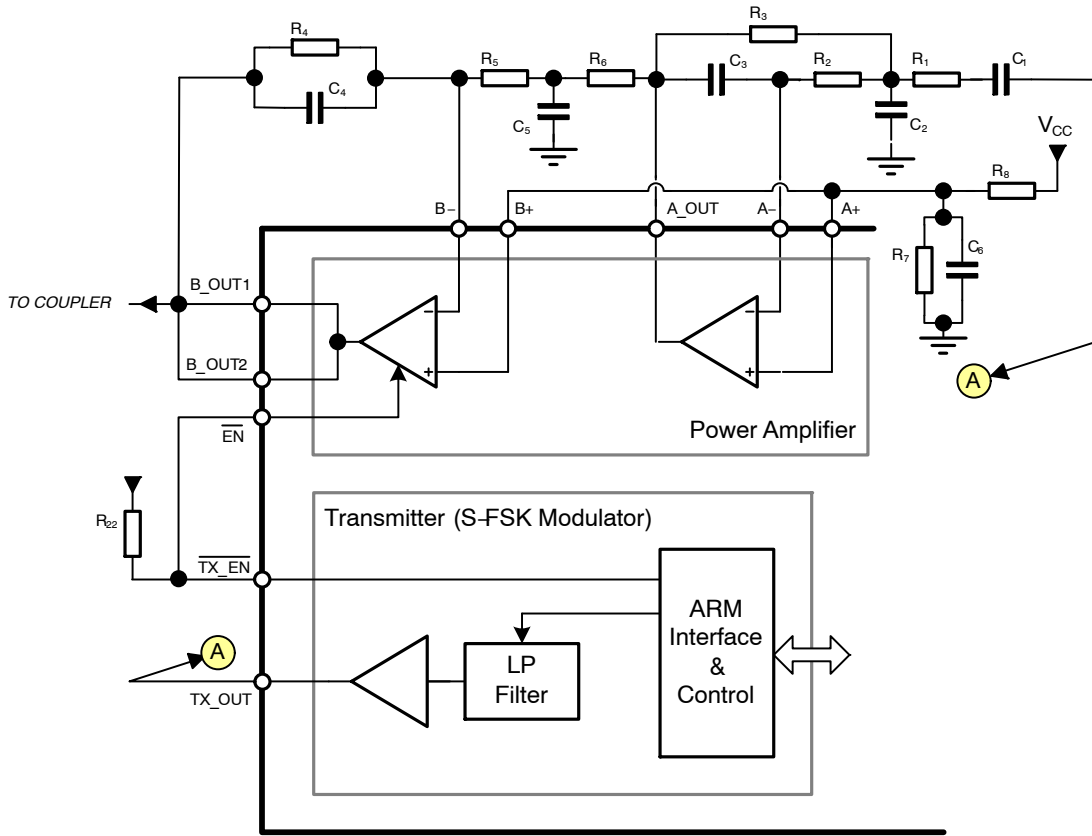


Figure 17. Power Amplifier and Filtering

PC20120831.2

Noise and stability

Optimal stability and noise rejection will be achieved with power – supply decoupling capacitors close to VCC.

Current protection

The current protection is set by the R_{LIM} resistor. It limits the output both when sourcing and sinking current. Once the protection is triggered the ILIM flag will go logic High signaling the user to take any necessary action. When the current output recovers, the ILIM flag will return to logic Low. To guarantee correct operation it is recommended to set R_{LIM} = 5 kΩ

This ensures the current will not exceed 1.2 A causing damage. See also paragraph Safe Operating Area.

Thermal protection

In the event load conditions cause internal over – heating, the amplifier will go into shutdown to prevent damage. Thermal shutdown takes place at an internal junction temperature of approximately 160°C; the amplifier will recover to the Enabled mode when the junction temperature cools back down to approximately 145°C.

Safe Operating Area

The Safe operating area (SOA) of the power amplifier is defined by 3 parameters:

- The thermal resistance from junction to ambient R_{thj-a}
- The output current I_{outB} or I_L
- The output voltage. V_{outB} or V_L

The thermal resistance from junction to ambient R_{thj-a} strongly depends on board design. R_{thJA} = 50 K/W in free air is a typical value which may be used even if NCN49599 is soldered on a PCB mounted in a small closed box, provided the transmission of frames are infrequent and widely spread in time. This typical value is also used in the generation of the curves plotted in Figures 18 and 19.

Figure 18 shows the SOA in function of output current I_L and output voltage V_L with the ambient temperature as independent parameter. The maximum allowed current is 800 mA RMS. For that reason it is recommended to limit the output current by using R_{LIM} = 5 kΩ. This current limitation is plotted as a horizontal line. The maximal output voltage is limited by V_{CC,max}, V_{OH} and V_{OL}. This results in the straight line on the right hand side of the V_L – I_L plot. The area below and left from these limitations is considered as safe. The relation between output voltage and current is the impedance as seen at the output of the power operational amplifier. Constant impedance lines are represented by canted lines.

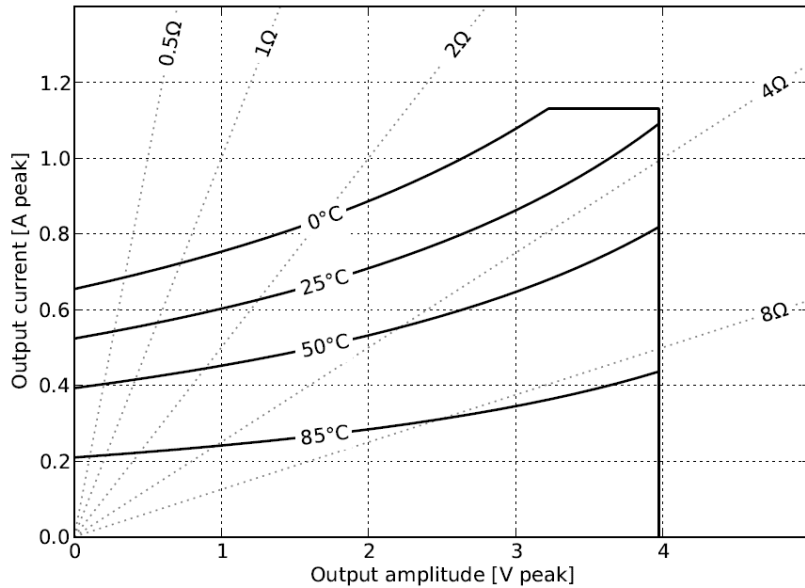


Figure 18. SOA in V_L–I_L space (bottom left corner is safe) with R_{thJA} = 50 K/W

Although voltage–versus–current is the normal representation of safe operating area, a PLC line driver can only control one of these variables: voltage and current are linked through the mains impedance. Figure 19 displays

exactly the same information as Figure 18 but might be easier to work with. Here constant current values are now represented as canted lines.

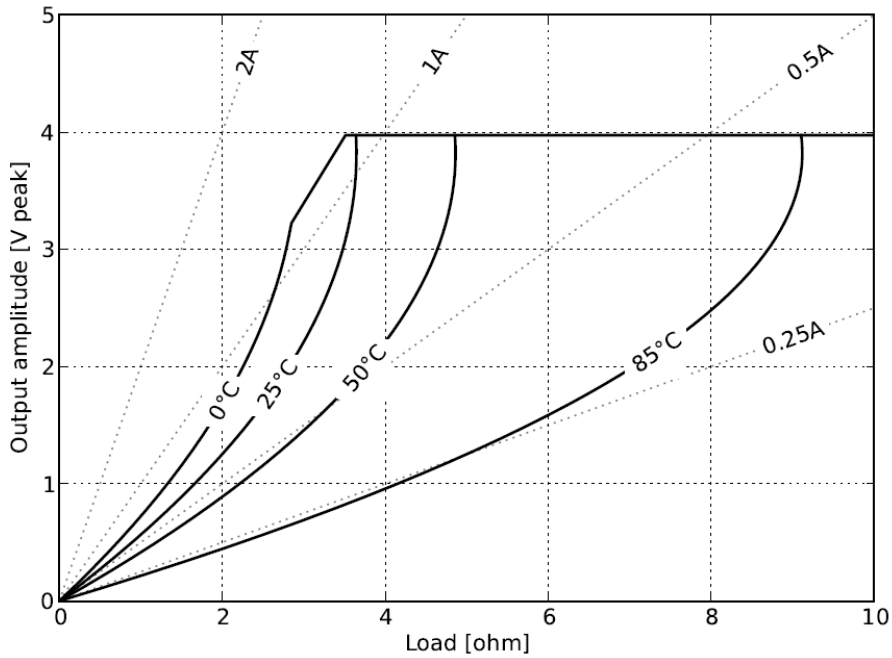


Figure 19. SOA in ZL-VL Space (bottom right corner is safe)

Receiver Path Description

Receiver Block Diagram

The receiver takes in the analog signal from the line coupler, conditions it and demodulates it in a data-stream to the communication controller. The operation mode and the baud rate are made according to the setting in R_CONF, R_FS and R_FM. The receive signal is applied first to a high pass filter. Therefore NCN49599 has a low noise operational amplifier at the input stage which can be used to make a high

pass active filter to attenuate the mains frequency. This high pass filter output is followed by a gain stage which is used in an automatic gain control loop. This block also performs a single ended input to differential output conversion. This gain stage is followed by a continuous time low pass filter to limit the bandwidth. A 4th order sigma delta converter converts the analog signal to digital samples. A quadrature demodulation for f_S and f_M is then performed by an internal DSP, as well the handling of the bits and the frames.

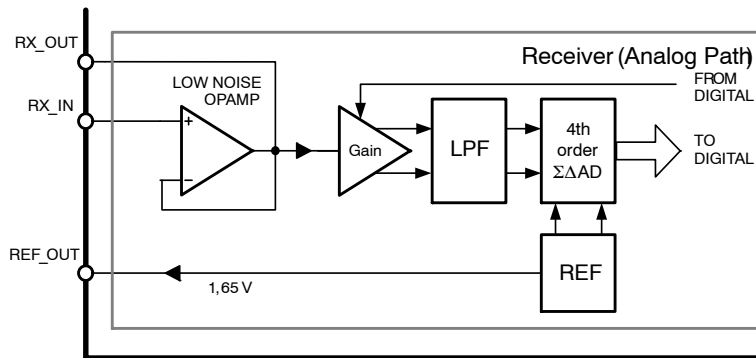
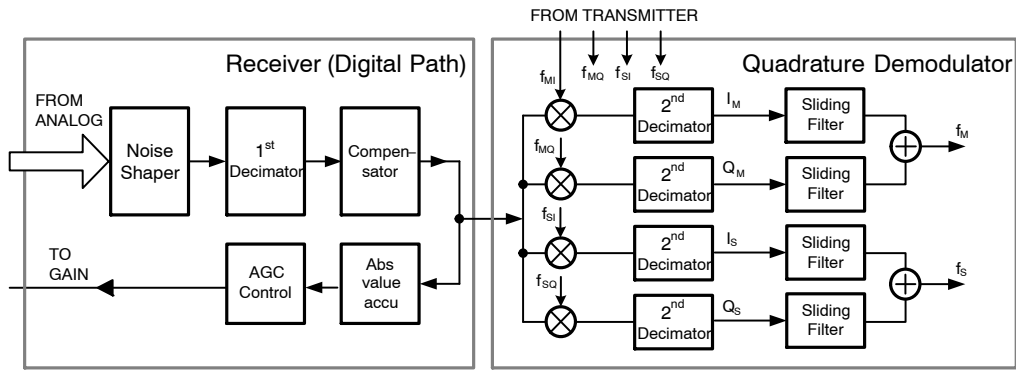


Figure 20. Analog Path of the Receiver



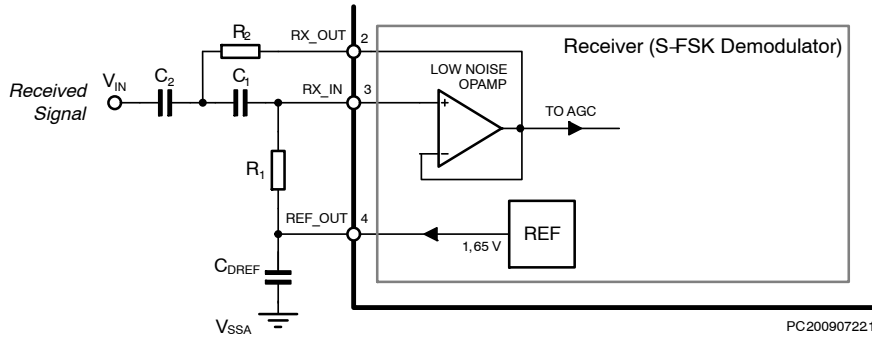
PC20110610.3

Figure 21. Digital Path of the Receiver ADC and Quadrature Demodulation

50/60 Hz Suppression Filter

NCN49599 receiver input provides a low noise input operational amplifier in a follower configuration which can be used to make a 50/60 Hz suppression filter with a minimum number of external components. Pin RX_IN is the positive input and RX_OUT is the output of the input low

noise operational amplifier. REF_OUT is the analog output pin which provides the voltage reference (1.65 V) used by the A/D converter. This pin must be decoupled from the analog ground by a 1 μF ceramic capacitance (C_{DREF}). It is not allowed to load this pin.



PC20090722.1

Figure 22. External Component Connection for 50/60 Hz Suppression Filter

RX_IN is the positive analog input pin of the receiver low noise input op-amp. Together with the output RX_OUT an active high pass filter is realized. This filter removes the main frequency (50 or 60 Hz) from the received signal. The filter characteristics are determined by external capacitors and resistors. Typical values are given in Table 26. For these values and after this filter, a typical attenuation of 85 dB at

50 Hz is obtained. Figure 22 represents external components connection. In a typical application the coupling transformer in combination with a parallel capacitance forms a high pass filter with a typical attenuation of 60 dB. The combined effect of the two filters decreases the voltage level of 230 Vrms at the mains frequency well below the sensitivity of the NCN49599.

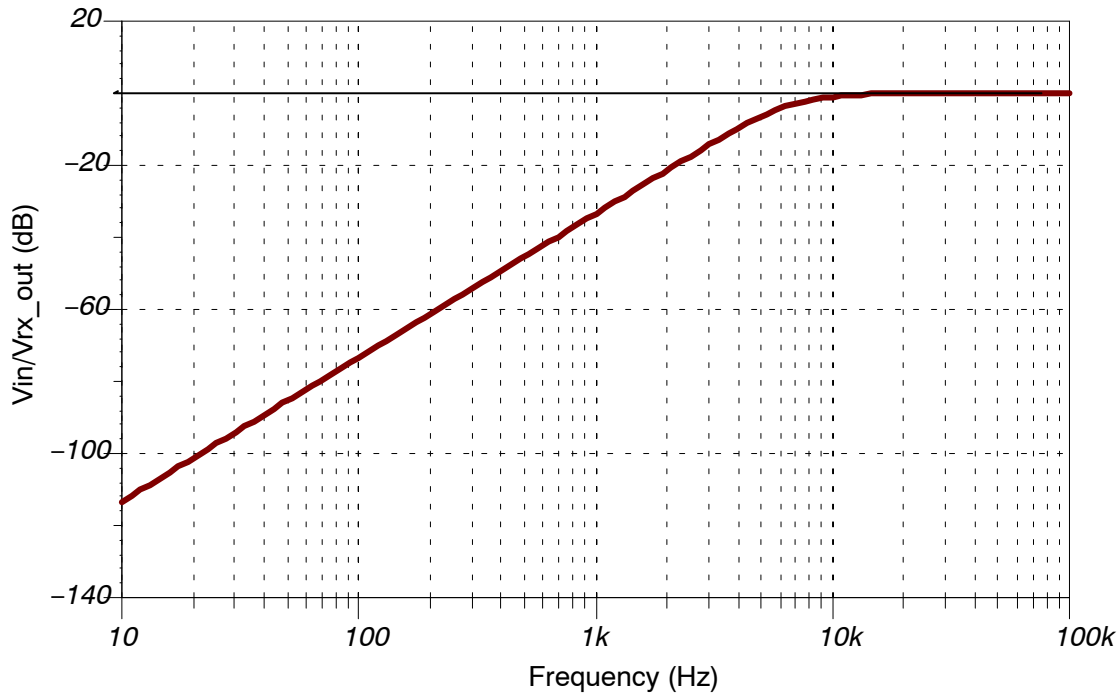


Figure 23. Transfer Function of 50 Hz Suppression Circuit

Table 26. VALUE OF THE RESISTORS AND CAPACITORS

Component	Value	Unit
C ₁	1.5	nF
C ₂	1.5	nF
C _{DREF}	1	μF
R ₁	22	kΩ
R ₂	11	kΩ

Remark: The analog part of NCN49599 is referenced to the internal analog ground REF_OUT = 1.65 V (typical value). If the external circuitry works with a different analogue reference level one must be sure to place a decoupling capacitor.

Auto Gain Control (AGC)

The receiver path has a gain stage which is used for automatic gain control. The gain can be changed in 8 steps of 6 dB. The control of the AGC is done by a digital circuit which measures the signal level after the AD converter, and regulates the average signal in a window around a percentage of the full scale. The AGC works in two cycles: a measurement cycle at the rising edge of the CHIP_CLK and an update cycle starting at the next CHIP_CLK.

Low Noise Anti Aliasing Filter

The receiver has a 3rd order continuous time low pass filter in the signal path. This filter is in fact the same block as in the transmit path which can be shared because NCN49599 works in half duplex mode. The typical corner frequency

f_{-3dB} = 138 kHz and is internally trimmed to compensate for process variation.

A/D Converter

The output of the low pass filter is input for an analog 4th order sigma-delta converter. The DAC reference levels are supplied from the reference block. The digital output of the converter is fed into a noise shaping circuit blocking the quantization noise from the band of interest, followed by a decimation and a compensation step.

Quadrature Demodulator

The quadrature demodulation block takes the AD signal and mixes it with the in-phase and quadrature phase of the f_S and f_M carrier frequencies. After a low pass filter and rectification the mixer output signals are further processed in software. There the accumulation over a period of CHIP_CLK is done which results in the discrimination of data 0 and data 1.

Bit Sync

At the transmit side the data-stream is in sync and in phase with the zero crossing of the mains. The complex impedance of the power line together with propagation delay in the zero

cross detector and loop delay in the Rx-filter circuitry will cause a shift between the physical transmitted bit and the received S-FSK signal as illustrated in Figure 24.

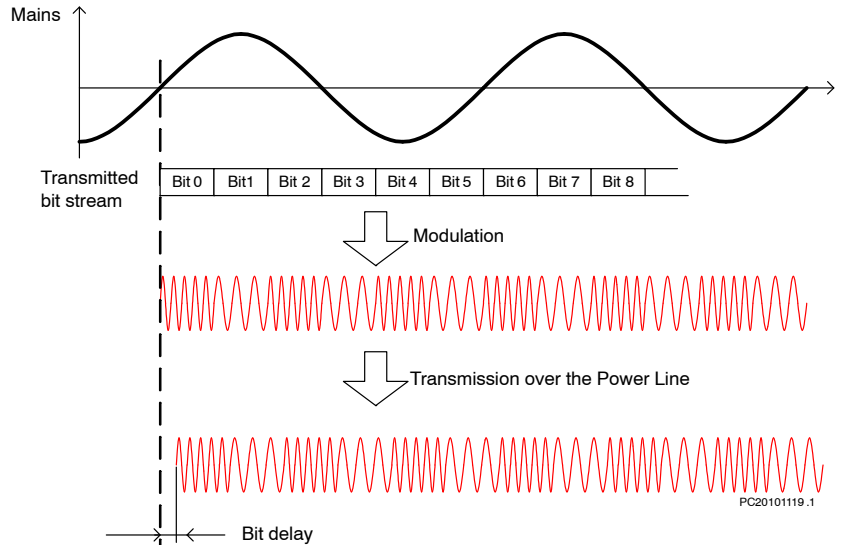


Figure 24. Bit Delay Cause by Transmission Over a Power Line

To compensate for this delay between physical and demodulated bit a synchro bit value is introduced. It shifts forward the Hardware Demodulating process up to seven chip clocks. See Figure 25.

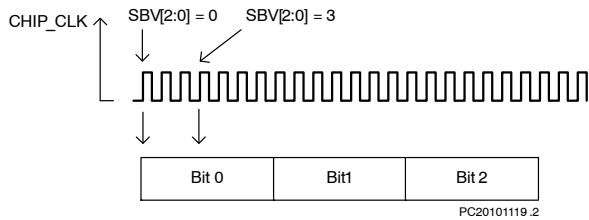


Figure 25. Compensation for Bit Delay by Shifting Forward the Start of the Demodulating Process

The synchro bit value can be set using register SBV [2:0].

Table 27. SYNCHRO BIT VALUE

SBV[2:0]	Bit Delay
000	0 CHIP_CLK
001	1 CHIP_CLK
010	2 CHIP_CLK
011	3 CHIP_CLK
100	4 CHIP_CLK
101	5 CHIP_CLK
110	6 CHIP_CLK
111	7 CHIP_CLK

Communication Controller

The Communication Controller block includes the ARM CORTEX M0 32 bit RISC processor, its peripherals: Data and Program RAM, Program ROM, TIMERS 1 and 2, Interrupt Control, SPI interface to an optional external Flash memory, TEST Control, Watchdog and Power On Reset (POR), I/O ports and the Serial Communication Interface (SCI). The micro-processor is programmed to handle the physical layer (chip synchronization), and the MAC layer conform to IEC 61334-5-1. The program is stored in a masked ROM. Depending on status of the SEN input, after power on reset NCN49599 will boot from internal ROM , external Flash or over the serial interface. The RAM contains the necessary space to store the program and the working data. The back-end interface is done through the Local Port and Serial Communication Interface block. This back-end is used for data transmission with the application micro controller (containing the application layer for concentrator, power meter, or other functions) and for the definition of the modem configuration.

More boot options and further details can be found in Reference 1.

The following section will give a brief overview of the functionality when boot from ROM. More details can be found in Reference 1.

NCN49599

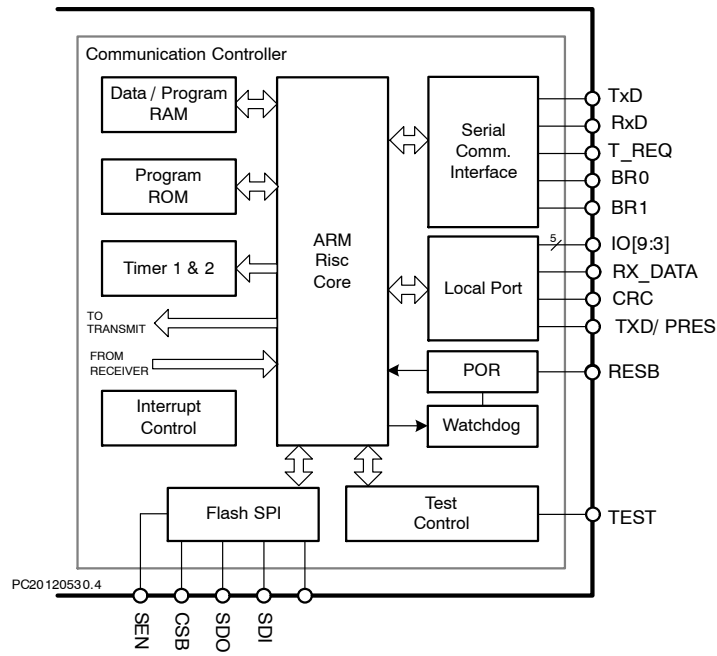


Figure 26. Communication Controller

Local Port

The controller uses 3 output ports to inform the actual status of the PLC communication. RX_DATA indicates if NCN49599 is waiting for its configuration, if it is in research of synchronization, or if it is receiving data. CRC indicates if the received frames are valid: the cyclic redundancy code

(CRC) is correct. TXD/PRES is the output for either the transmitting data (TX_DATA) or a synchronization signal with the time-slots (PRE_SLOT).

When booting from ROM (SEN = VSS) IO[9:3] have no function. These IO's can be addressed when booting from the external Flash. See also Reference 1.

Table 28. OVERVIEW FUNCTIONALITY LOCAL PORT

Port	Function	Value	Explanation	Remark
RX_DATA	Data reception	10 Hz	Waiting for configuration	Output is oscillating
		0	After Synchro Confirm Time-out	
		1	Research of synchronization	
CRC	CRC OK	0		
		1	During the pause between 2 timeslots when a correct frame is received	
TXD/PRES	TX_DATA	0	Transmit of f_S	R_CONF[7] = 1
		1	Transmit of f_M	
	PRE_SLOT	0	See Figure 14	R_CONF[7] = 0
		1	See Figure 14	

Serial Communication Interface (SCI)

The Serial Communication Interface allows asynchronous communication. It can communicate with a UART = Universal Asynchronous Receiver Transmitter, ACIA = Asynchronous Communication Interface Adapter and all other chips that employ standard asynchronous serial communication. The serial communication interface has following characteristics:

- Half duplex.
- Standard NRZ format.
- Start bit, 8 data bits and 1 stop bit.
- Hardware programmable baud-rate via BR0 and BR1 pins (9600, 19200, 38400 and 115200 baud).
- 0–5 V levels with open drain for TxD.
- 0–5V levels for RxD and T_REQ.

NCN49599

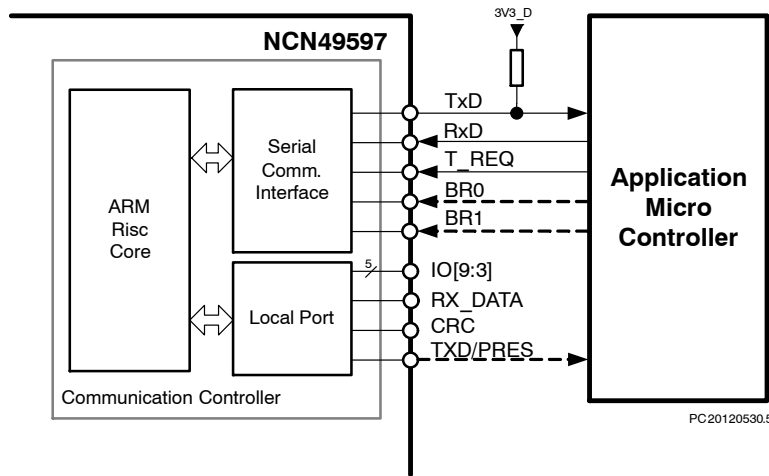


Figure 27. Connection to the Application Microcontroller

Serial Communication Interface Physical Layer Description

The following pins control the serial communication interface.

TXD: Transmit data output.

It is the data output of the NCN49599 and the input of the application micro controller.

RXD: Receive data input.

It is the data input of the NCN49599 and the output of the application micro controller.

T_REQ: Transmit Request input

Request for data transmission received from the application micro controller

BR0, BR1: Baud rate selection inputs.

These pins are externally strapped to a value or controlled by the external application micro controller.

Table 29. BR1, BR0 BAUD RATES

BR1	BR0	SCI Baud Rate
0	0	115200
0	1	9600
1	0	19200
1	1	38400

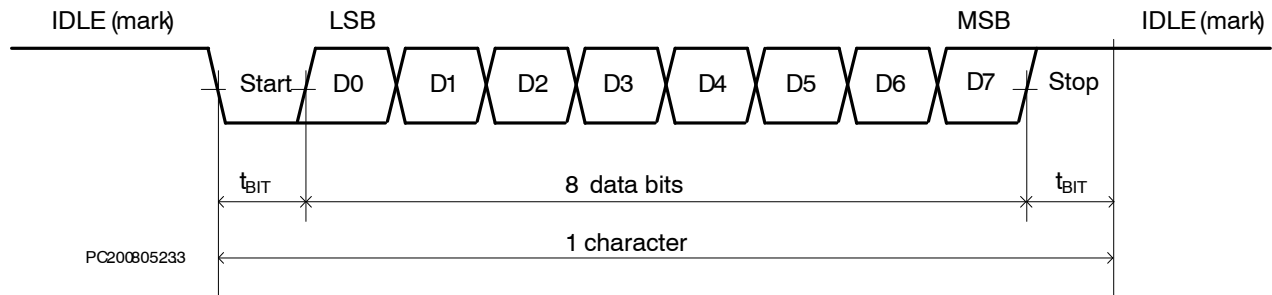


Figure 28. Data format

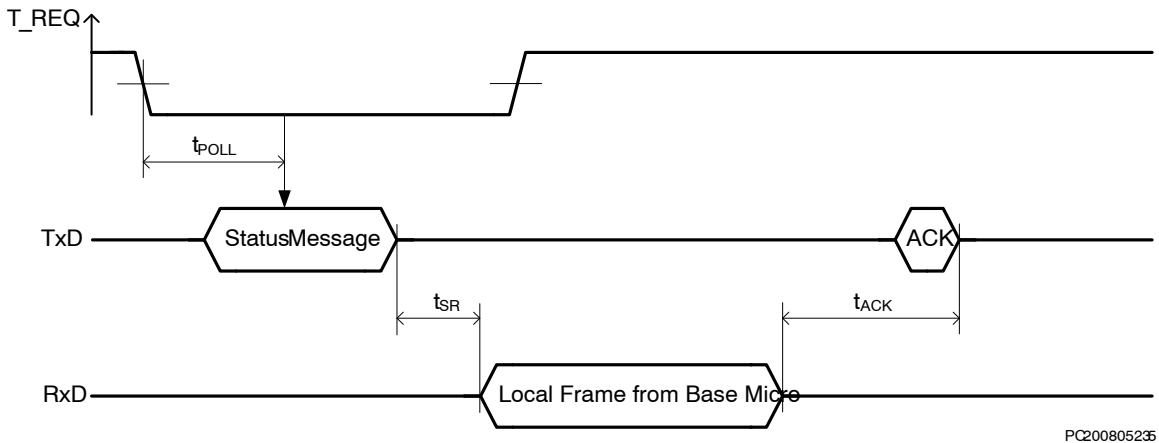
Arbitration and Transfer

In order to avoid collisions between the data sent by the NCN49599 and the application micro controller, the NCN49599 is chosen as the transmitting controller. This means that when there is no local transfer, the NCN49599 can initiate a local communication without taking account of the application micro controller state. On the other hand, when the application micro controller wants to send data (using a local frame), it must first send a request for communication through the local input port named T_REQ (Transmitting Request). Then the NCN49599 answers with a status message.

Transfer from application micro controller to NCN49599

When the application micro controller wants to initiate a local transfer, it must pull down the T_REQ signal. The NCN49599 answers within the t_{POLL} delay with the status message in which the application micro controller can read if the communication channel is available. If the communication is possible, the application micro controller can start to send its local frame within the t_{SR} delay. It should pull up the T_REQ signal as soon as the first character (STX) has been sent. If the beginning of the local frame is not received before the t_{SR} delay was issued, the NCN49599 ignores the local frame. At the end of the data reception sent by the application micro controller on the RxD line, the NCN49599 sends a byte on the TxD line in order to inform about the status of the transmitting <ACK> (=0x06) or <NAK> (=0x15).

Remark: If the application micro controller only wants to know the state of the NCN49599, it has just to pull up the T_REQ signal after the reception of the status message.



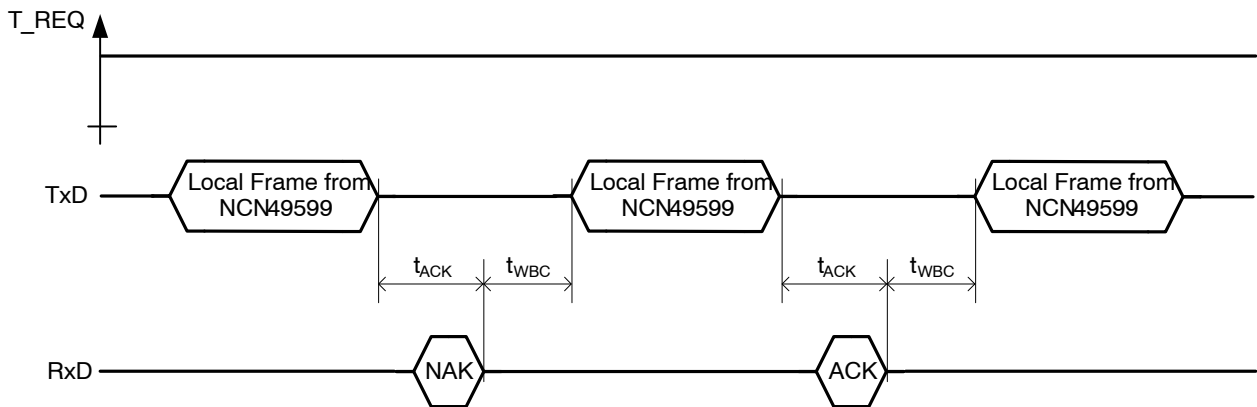
PC200805235

Figure 29. Transfer from Application microcontroller to NCN49599

If the length and the checksum of the local frame are both correct, the NCN49599 acknowledges with an <ACK> character. In other cases, it answers with a <NAK> character. In case of <NAK> response, or no acknowledgement from NCN49599 in the t_{ACK} time-out, a complete sequence must be restarted to repeat the frame.

Transfer from NCN49599 to application micro controller

When the NCN49599 wants to send a frame, it can directly send it without any previous request.



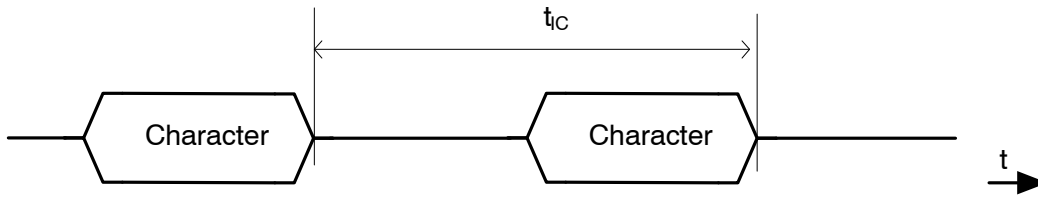
PC200805236

Figure 30. Transfer from NCN49599 to Application Micro Controller

If the length and the checksum of the local frame are both correct, the application micro controller acknowledges with an <ACK> character. In other cases, it answers with a <NAK> character. In case of <NAK> response from the Application micro controller, the NCN49599 will repeat the frame only once after a delay corresponding to t_{WBC} (Wait Before Continue). A non response from the application micro controller or a framing error when an <ACK> character is awaited is considered as an acknowledgment.

Character time-out in Reception

The time between two consecutive characters in a local frame should not exceed t_{IC} (Time-out Inter Character):



PC20080523

Figure 31. Character Time-out

After this delay, the frame reception is finished. If the length and the checksum are both correct, the local frame is taken in account otherwise all previous characters are discarded. The time out Inter Character (t_{IC}) is set by default at 10ms after a reset. The time out Inter character (t_{IC}) is modified by the bit 7 of repeater parameter in the configuration frame. See Reference [1]:

- Bit 7 = 1 → the t_{IC} value is constant at 10 ms,
- Bit 7 = 0 → the t_{IC} value represents 5 characters depending on the communication speed (defined by two local input ports BR0 and BR1).

Table 30. SERIAL COMMUNICATION TIME-OUT VALUES

Time-out	Meaning	Value		
Tpoll	Delay max. awaited by the base micro between the T_REQ pull down and the status message transmission (delay polling)	20 ms		
Tsr	Delay max. awaited by the NCN49599 between the end of the status transmitting and the reception of the STX character in the base micro frame (delay status/reception)	200 ms		
Tack	Delay max. awaited by either the NCN49599 or the base micro between the end of a transmitting and the reception of the ACK or NAK character sent by the other (delay ack).	40 ms		
Twbc	Delay max. awaited by either the NCN49599 or the base micro between the end of a reception and the transmission of the next frame (delay waiting before continue).	5 ms		
Tic	Delay max. awaited by either the NCN49599 or the base micro between two characters (delay inter characters) Programmable with the bit 7 of repeater parameter in the configuration frame	Bit 7 = 1	10 ms	
		Bit 7 = 0	4800 baud	10 ms
			9600 baud	5 ms
			19200 baud	2.5 ms
		38400 baud	1.25 ms	

Watchdog

The watchdog supervises the ARM and in case the firmware doesn't acknowledge at periodic times, a hard reset is generated.

Configuration Registers

A number of configuration registers can be accessed by the user by sending a WriteConfig_Request over the SCI interface. See also Reference [1]. A brief overview of the accessible configuration registers is given below:

R_CONFIG register configures the NCN49599 in the correct mode. The R_CONFIG register is controlled by the embedded software and can be accessed via a WriteConfig_Request.

Table 31. R_CONF[9:0]

ARM Register	Hard Reset	Soft Reset	Description
R_CONF[7]	0	-	TXD/PRES_SEL
R_CONF[5:3]	000	-	MODE
R_CONF[2:1]	00	-	BAUDRATE
R_CONF[0]	0	-	MAINS_FREQ

Where:

- TXD/PRES_SEL: 0: TXD/PRES is PRE_SLOT output pin
1: TXD/PRES is TX_DATA output pin
- MODE: 000 : Initialization
001 : Master Mode
010 : Slave Mode
011 : Reserved
1xx : Test Mode
- BAUDRATE: 00: 6 data bits per mains period = 300 baud @ 50 Hz
01: 12 data bits per mains period = 600 baud @ 50 Hz
10: 24 data bits per mains period = 1200 baud @ 50 Hz
11: 48 data bits per mains period = 2400 baud @ 50 Hz
- MAINS_FREQ: 0: 50 Hz
1: 60 Hz

R_FS and R_FM step registers are defining the space and mark frequency. Explanation on the values can be found in paragraph Sine wave generator. This register can be accessed via a WriteConfig_Request.

Table 32. FS AND FM STEP REGISTERS

ARM Register	Hard Reset	Soft Reset	Description
R_FS[15:0]	0000h	0000h	Step register for the space frequency f_S
R_FM[15:0]	0000h	0000h	Step register for the mark frequency f_M

R_ZC_ADJUST register defines the value which is pre-loaded in the PLL counter. This is used to fine tune the phase difference between CHIP_CLK and the - to + zero cross of the mains. Explanation on the values can be found in paragraph 50/60 Hz PLL.

Table 33. ZC_ADJUST REGISTERS

ARM Register	Hard Reset	Soft Reset	Description
R_ZC_ADJUST[7:0]	02h	02h	Fine tuning of phase difference between CHIP_CLK and rising edge of Mains zero cross

R_ALC_CTRL register enables or disables the Automatic Level Control. In case ALC is disabled the attenuation of the TX output driver is fixed according to the value in R_ALC_CTRL[2:0]. Explanation on the attenuation values can be found in paragraph Amplifier with Automatic Level Control.

Table 34. ALC_CTRL REGISTERS

ARM Register	Hard Reset	Soft Reset	Description
R_ALC_CTRL[3:0]	00h	00h	Control register for the automatic level control

Where:

- R_ALC_CTRL[3]: 0: Automatic level control is enabled
1: Automatic level control is disabled and attenuation is fixed
- R_ALC_CTRL[2:0]: Fixed attenuation value

Table 35. FIXED TRANSMITTER OUTPUT ATTENUATION

ALC_CTRL[2:0]	Attenuation
000	0 dB
001	-3 dB
010	-6 dB
011	-9 dB
100	-12 dB
101	-15 dB
110	-18 dB
111	-21 dB

Reset and Low Power

NCN49599 has 2 reset modes: hard reset and soft reset.

The hard reset initializes the complete IC (hardware and ARM) excluding the data RAM for the ARM. This makes sure that start-up of hardware and ARM is guaranteed. A hard reset is active when pin RESB = 0 or when the power supply $V_{DD} < V_{POR}$ (See Table 15). When switching on the power supply the output of the crystal oscillator is disabled until a few 1000 clock pulses have been detected, this to enable the oscillator to start up.

The soft reset initializes part of the hardware. The soft reset is activated when going into initialization mode for the duration of maximum 1 CHIP_CLK. Initialization mode is entered by R_CONF[5:3] = 000.

The concept of NCN49599 has a number of provisions to have low power consumption. When working in transmit mode the analogue receiver path and most of the digital receive parts are disabled. When working in receive mode the analog transmitter and most of the digital transmit parts, except for the sine generation, are disabled.

When the pin RESB = 0 the power consumption is minimal. Only a limited power is necessary to maintain the bias of a minimum number of analog functions and the oscillator cell.

REFERENCE

In this document references are made to:

- Design Manual NCN49599
<http://www.onsemi.com>
- EN 50065-1: Signaling on low-voltage electrical installations in the frequency range 3 kHz to 148.5 kHz
<http://connect.nen.nl/~Preview.aspx?artfile=425728&RNR=66840>
- ERDF-CPT-Linky-SPEC-FONC-CPL version V1.0 Linky PLC profile functional specification
<http://www.erfdistribution.fr/medias/Linky/ERDF-CPT-Linky-SPEC-FONC-CPL.pdf>
- DLMS UA 1000-2 Ed. 7.0 DLMS/COSEM Architecture and Protocols
<http://www.dlms.com/documentation/dlmsuacolouredbookspasswordprotectedarea/index.html>
- IEC 61334-5-1 Lower layer S-FSK Profile.
http://webstore.iec.ch/preview/info_iec61334-5-1%7Bed2.0%7Db.pdf
- IEC 61334-5-1 Lower layer S-FSK Profile.
http://webstore.iec.ch/preview/info_iec61334-5-1%7Bed2.0%7Db.pdf

Table 36. ORDERING INFORMATION

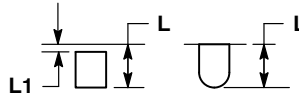
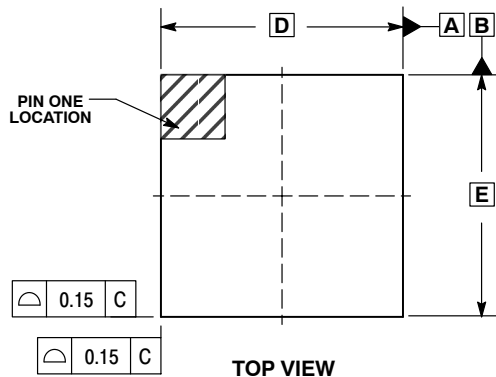
Device	Temperature Range	Package	Shipping [†]
NCN49599MNG	-40°C – 125°C	QFN-56 (Pb-Free)	Tube
NCN49599MNTWG	-40°C – 125°C	QFN-56 (Pb-Free)	Tape & Reel

[†]For information on tape and reel specifications, including part orientation and tape sizes, please refer to our Tape and Reel Packaging Specification Brochure, BRD8011/D.

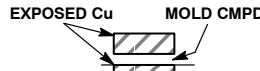
NCN49599

PACKAGE DIMENSIONS

QFN56 8x8, 0.5P
CASE 485CN
ISSUE O



DETAIL A
ALTERNATE
CONSTRUCTIONS

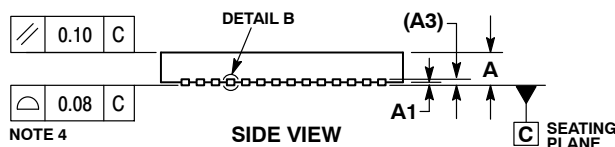


DETAIL B
ALTERNATE
CONSTRUCTION

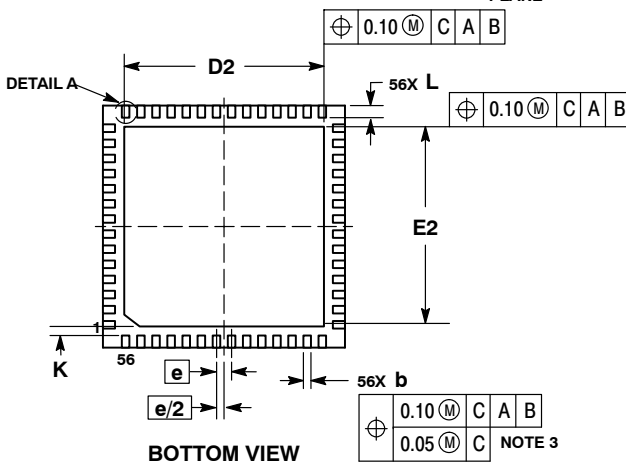
NOTES:

1. DIMENSIONING AND TOLERANCING PER ASME Y14.5M, 1994.
2. CONTROLLING DIMENSIONS: MILLIMETERS.
3. DIMENSION b APPLIES TO PLATED TERMINAL AND IS MEASURED BETWEEN 0.15 AND 0.25mm FROM THE TERMINAL TIP
4. COPLANARITY APPLIES TO THE EXPOSED PAD AS WELL AS THE TERMINALS.

MILLIMETERS		
DIM	MIN	MAX
A	0.80	1.00
A1	0.00	0.05
A3	0.20	REF
b	0.20	0.30
D	8.00	BSC
D2	6.50	6.70
E	8.00	BSC
E2	6.50	6.70
e	0.50	BSC
K	0.20	---
L	0.30	0.50
L1	0.05	0.15

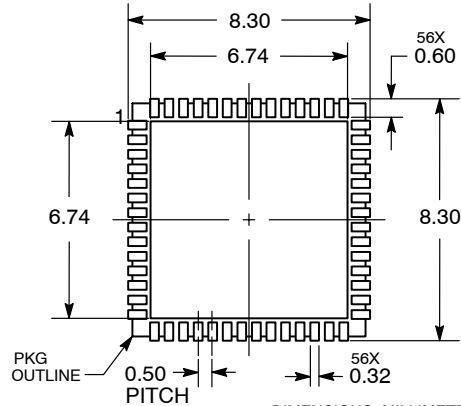


NOTE 4
SIDE VIEW



NOTE 3
BOTTOM VIEW

RECOMMENDED MOUNTING FOOTPRINT*



DIMENSIONS: MILLIMETERS

*For additional information on our Pb-Free strategy and soldering details, please download the ON Semiconductor Soldering and Mounting Techniques Reference Manual, SOLDERRM/D.

ON Semiconductor and are registered trademarks of Semiconductor Components Industries, LLC (SCILLC). SCILLC owns the rights to a number of patents, trademarks, copyrights, trade secrets, and other intellectual property. A listing of SCILLC's product/patent coverage may be accessed at www.onsemi.com/site/pdf/Patent-Marking.pdf. SCILLC reserves the right to make changes without further notice to any products herein. SCILLC makes no warranty, representation or guarantee regarding the suitability of its products for any particular purpose, nor does SCILLC assume any liability arising out of the application or use of any product or circuit, and specifically disclaims any and all liability, including without limitation special, consequential or incidental damages. "Typical" parameters which may be provided in SCILLC data sheets and/or specifications can and do vary in different applications and actual performance may vary over time. All operating parameters, including "Typicals" must be validated for each customer application by customer's technical experts. SCILLC does not convey any license under its patent rights nor the rights of others. SCILLC products are not designed, intended, or authorized for use as components in systems intended for surgical implant into the body, or other applications intended to support or sustain life, or for any other application in which the failure of the SCILLC product could create a situation where personal injury or death may occur. Should Buyer purchase or use SCILLC products for any such unintended or unauthorized application, Buyer shall indemnify and hold SCILLC and its officers, employees, subsidiaries, affiliates, and distributors harmless against all claims, costs, damages, and expenses, and reasonable attorney fees arising out of, directly or indirectly, any claim of personal injury or death associated with such unintended or unauthorized use, even if such claim alleges that SCILLC was negligent regarding the design or manufacture of the part. SCILLC is an Equal Opportunity/Affirmative Action Employer. This literature is subject to all applicable copyright laws and is not for resale in any manner.

PUBLICATION ORDERING INFORMATION

LITERATURE FULFILLMENT:

Literature Distribution Center for ON Semiconductor
P.O. Box 5163, Denver, Colorado 80217 USA
Phone: 303-675-2175 or 800-344-3860 Toll Free USA/Canada
Fax: 303-675-2176 or 800-344-3867 Toll Free USA/Canada
Email: orderlit@onsemi.com

N. American Technical Support: 800-282-9855 Toll Free
USA/Canada
Europe, Middle East and Africa Technical Support:
Phone: 421 33 790 2910
Japan Customer Focus Center
Phone: 81-3-5817-1050

ON Semiconductor Website: www.onsemi.com

Order Literature: <http://www.onsemi.com/orderlit>

For additional information, please contact your local Sales Representative