



Description

The C50A50Z4 is high performance Alumina (Al₂O₃) surface mount termination intended as a low cost alternative to Aluminum Oxide (AlN). The termination is well suited to all cellular frequency bands such as; AMPS, GSM, DCS, PCS, PHS and UMTS. The high power handling makes the part ideal for terminating high power 90 degree couplers, and for use in microstrip circuits. The termination is also RoHS compliant!

General Specifications

Resistive Element	Thick film
Substrate	Al ₂ O ₃ Ceramic
Terminal Finish	Matte Tin over Nickel Barrier
Operating Temperature	-55 to +125°C (see de rating chart)

Tolerance is ±0.010", unless otherwise specified. Designed to meet or exceed applicable portions of MIL-E-5400. **All dimensions in inches.**

Features:

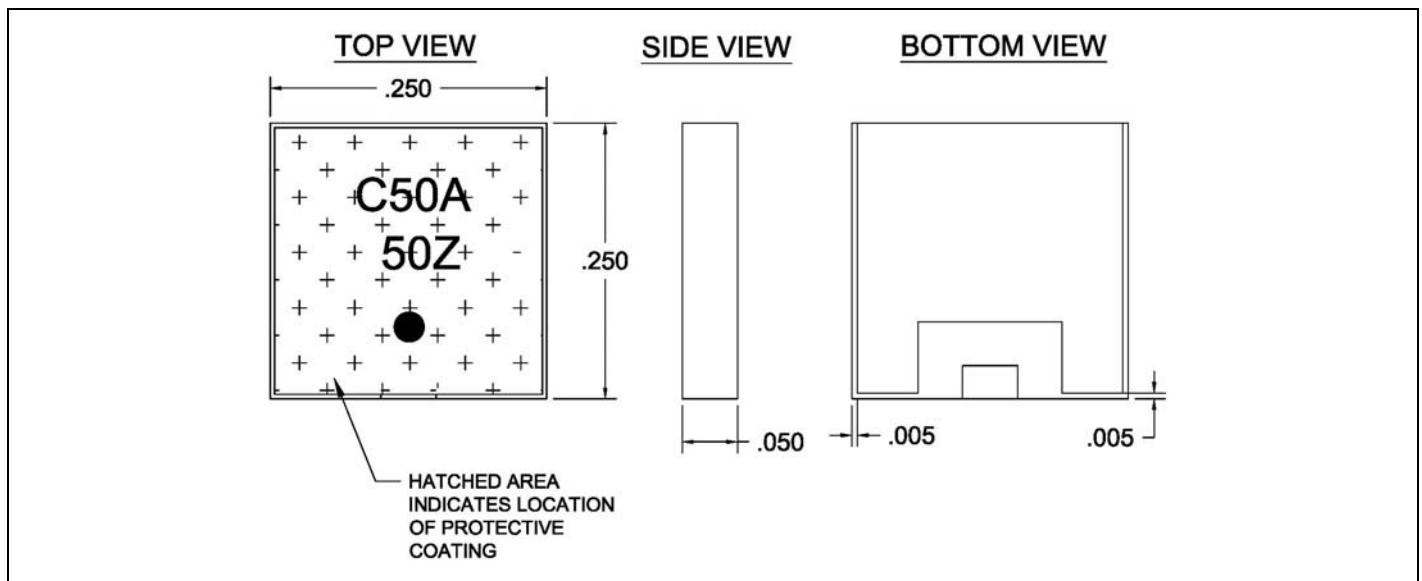
- RoHS Compliant
- 50 Watts
- DC - 2.7 GHz
- Al₂O₃ Ceramic
- Non-Nichrome Resistive Element
- Low VSWR
- 100% Tested
- Small Size

Electrical Specifications

Resistance Value:	50 Ohms, ± 2%
Power:	50 Watts
Frequency Range:	DC – 2.7 GHz
Return Loss	>26 dB to 2.2 GHz >24 dB to 2.7 GHz

Specification based on unit properly installed using suggested mounting instructions and a 50 ohm nominal impedance. **Specifications subject to change.**

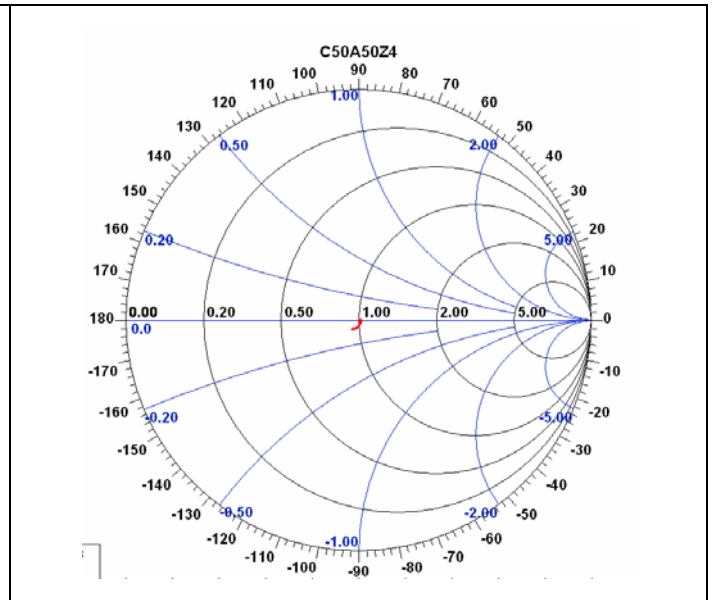
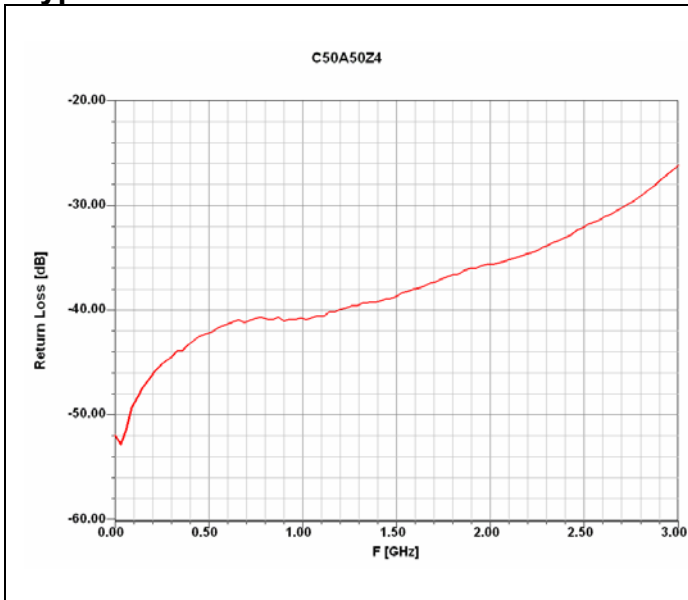
Outline Drawing



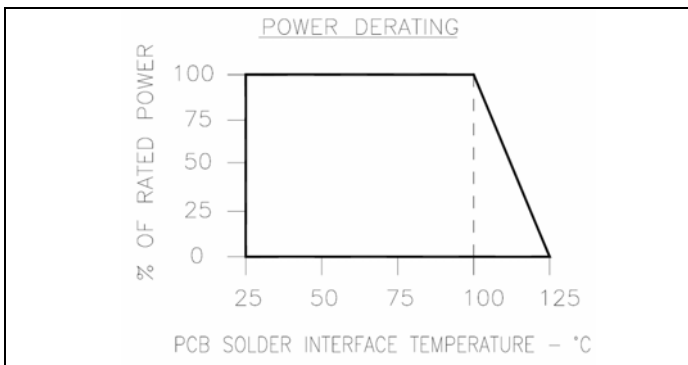
C50A50Z4 (097) rev.C pg. 1 of 2



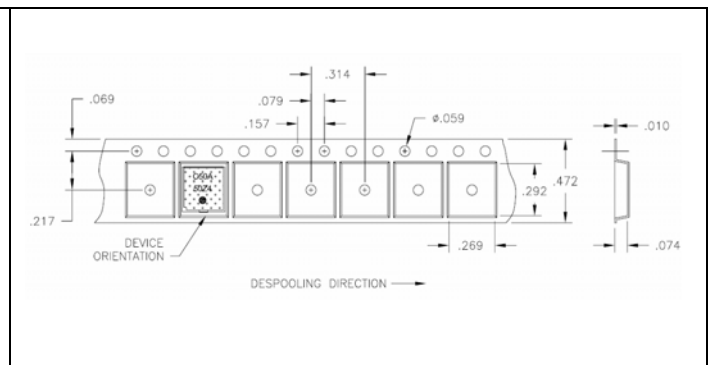
Typical Performance:



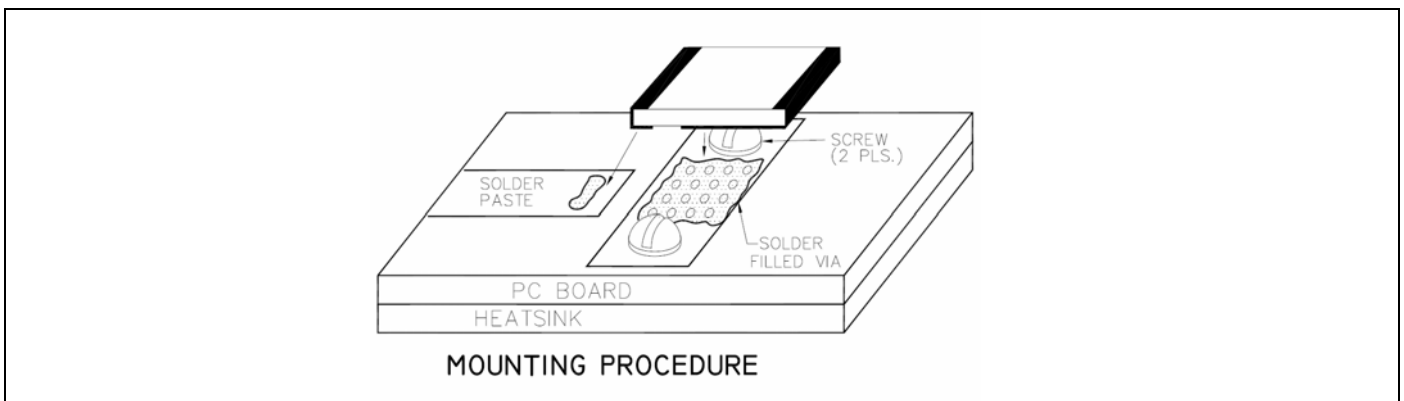
Power De-rating:



Tape & Reel:



Mounting Footprint and Procedure:



C50A50Z4 (097) rev.C pg. 2 of 2

