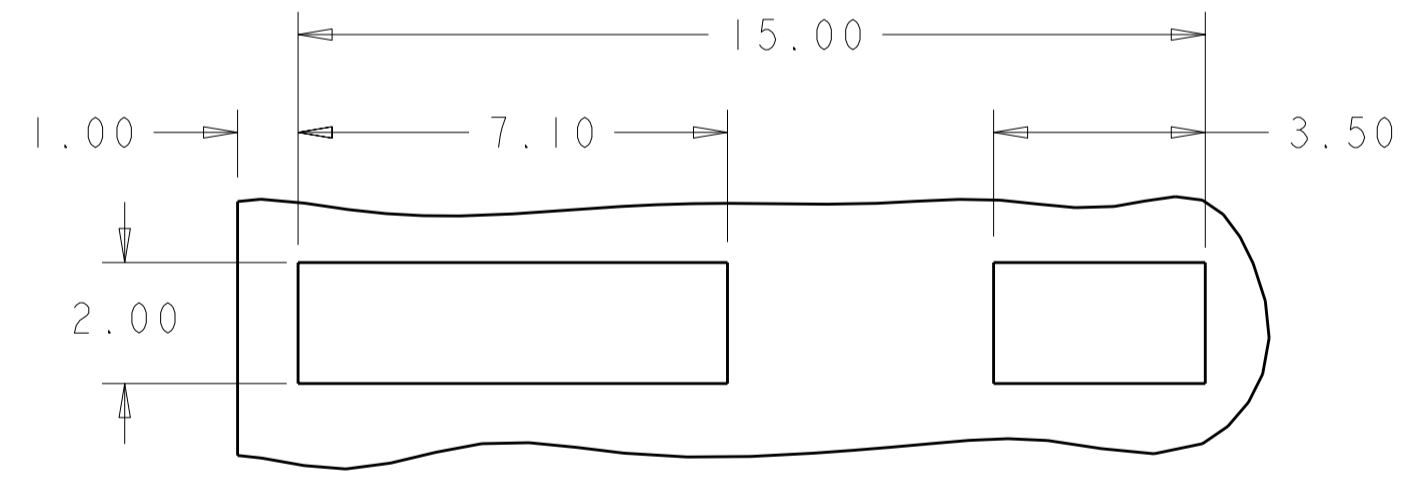
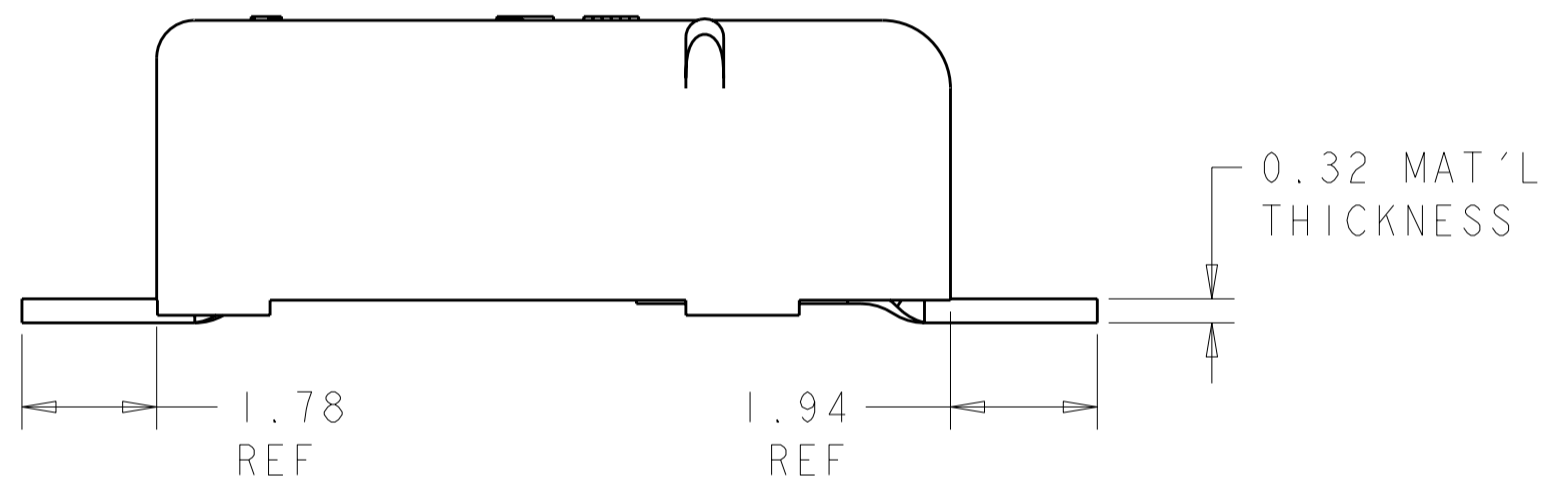
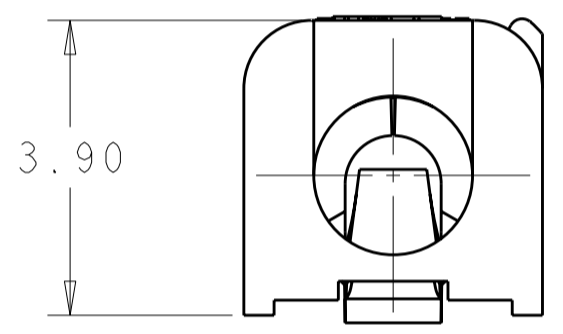
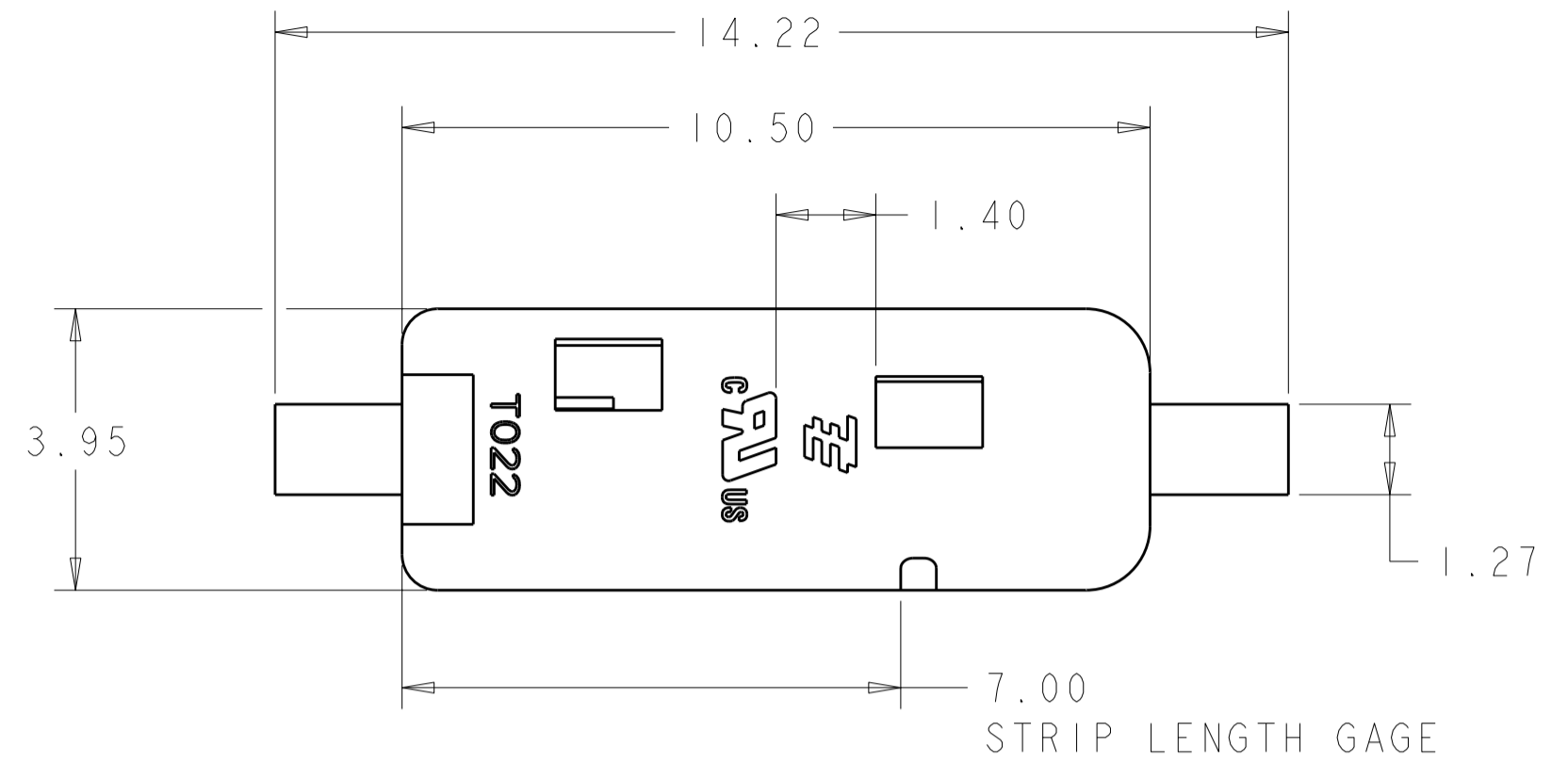
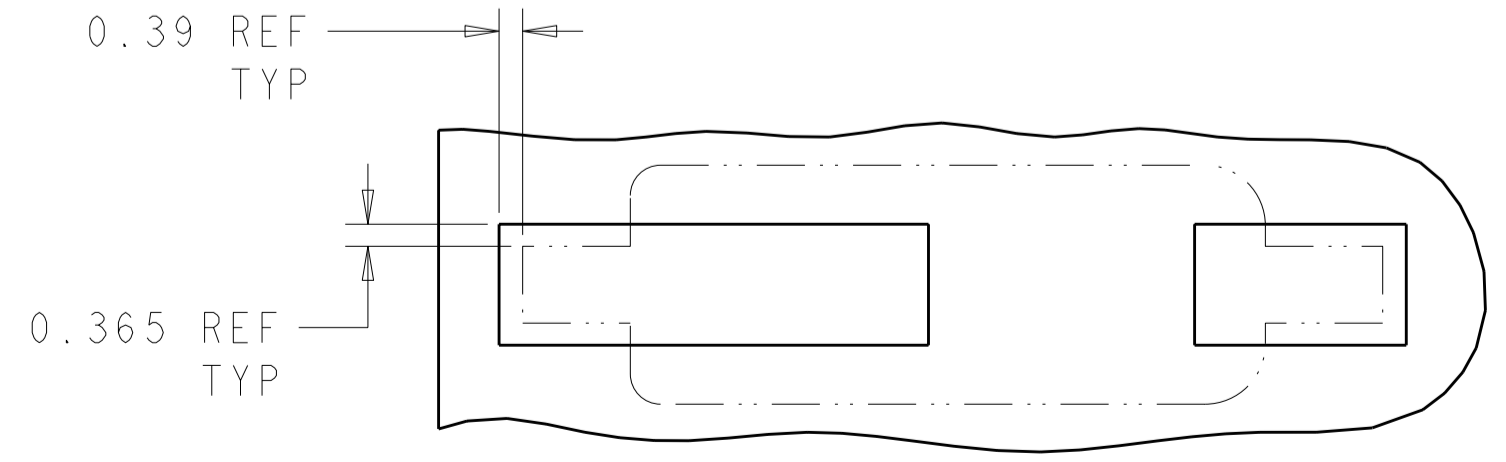


THIS DRAWING IS UNPUBLISHED. RELEASED FOR PUBLICATION 20  
 © COPYRIGHT 20 BY TYCO ELECTRONICS CORPORATION. ALL RIGHTS RESERVED.

REVISIONS							
LOC	DIST	P	LTR	DESCRIPTION	DATE	DWN	APVD
-	-	A2		REVISED PER ECR-09-006358	19MAR2009	HMR	DD



RECOMMENDED PCB LAYOUT  
SCALE 8:1



RECOMMENDED CONNECTOR PLACEMENT  
SCALE 8:1

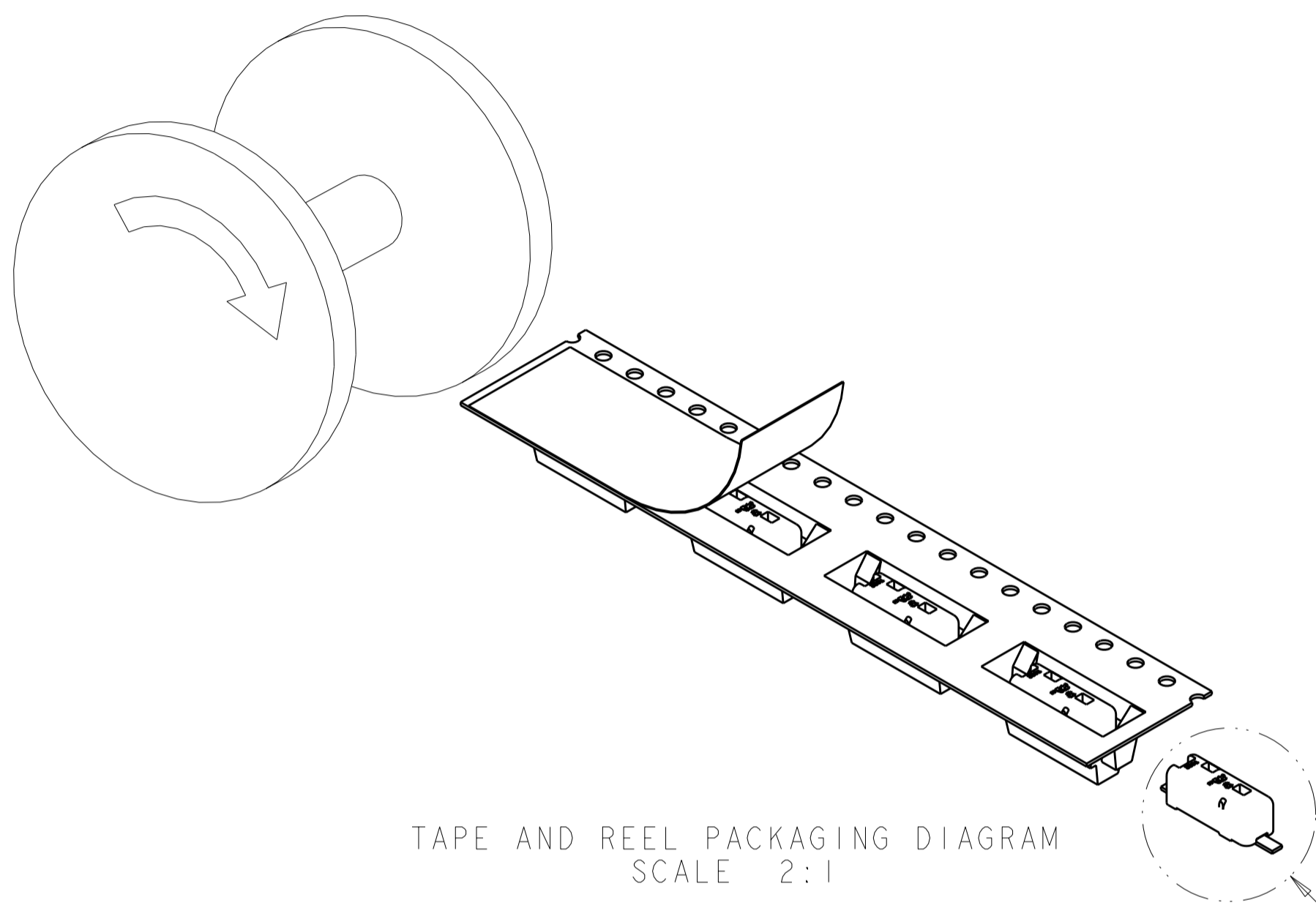
- 1. MATERIALS AND FINISH:
  - HOUSING: LCP, COLOR: WHITE
  - CONTACTS: COPPER ALLOY, FINISH: TIN
- 2. MUST COMPLY WITH DIRECTIVE 2002/95/EC (ROHS)
- 4. WIRE TYPES AND SIZES ACCEPTED
  - 18, 20 AND 22 AWG SOLID WIRE
  - 18 AND 20 AWG PREBOND STRANDED WIRE
  - 18 AWG STRANDED WIRE (16 STRAND COUNT)
  - MAX INSULATION OD: 2.10 MM (.083")
  - STRIP LENGTH: 7.0±1.0 (.276")
- 5. PACKAGED IN TAPE AND REEL.
- 6. MATERIALS AND FINISH:
  - HOUSING: LCP, COLOR: BLACK
  - CONTACTS: COPPER ALLOY, FINISH: TIN

6	BLACK	2008563-2
1	WHITE	2008563-1
MATERIAL	COLOR	PART NUMBER

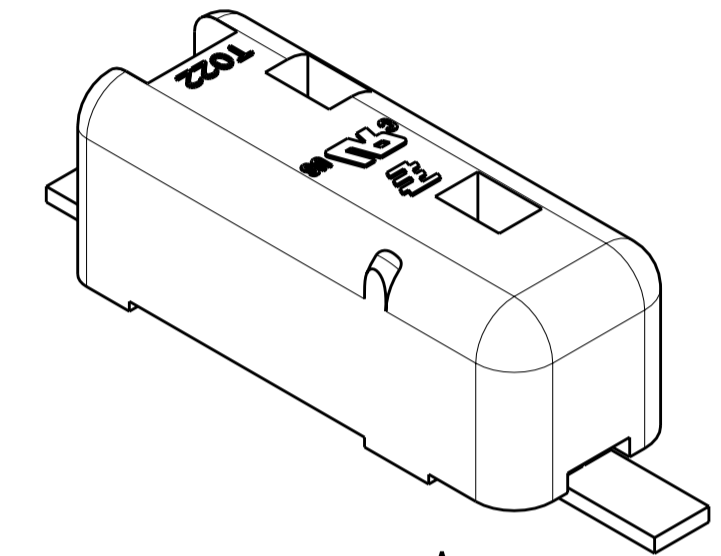
THIS DRAWING IS A CONTROLLED DOCUMENT FOR TYCO ELECTRONICS CORPORATION. IT IS SUBJECT TO CHANGE AND THE CONTROLLING ENGINEERING ORGANIZATION SHOULD BE CONTACTED FOR THE LATEST REVISION.		DWN: 17OCT2007	Tyco Electronics Harrisburg, PA 17105-3608	
DIMENSIONS: mm		CHK: -	NAME: POKE-IN CONNECTOR ASSEMBLY, 1 POSITION SMT	
TOLERANCES UNLESS OTHERWISE SPECIFIED:		APVD: -	SIZE: A2	
0 PLC ±	1 PLC ±0.5	PRODUCT SPEC: -	CAGE CODE: 200779	DRAWING NO: 2008563
2 PLC ±0.10	3 PLC ±	APPLICATION SPEC: -	RESTRICTED TO: -	
4 PLC ±	ANGLES ±3°	FINISH: -	SCALE: 10:1	
MATERIAL: SEE TABLE	FINISH: SEE TABLE	WEIGHT: -	SHEET 1 OF 2	
CUSTOMER DRAWING		REV: A2		

THIS DRAWING IS UNPUBLISHED. RELEASED FOR PUBLICATION 20  
 © COPYRIGHT 20 BY TYCO ELECTRONICS CORPORATION. ALL RIGHTS RESERVED.

LOC	DIST	REVISIONS				
P	LTR	DESCRIPTION	DATE	DWN	APVD	
-	-	SEE SHEET 1	-	-	-	

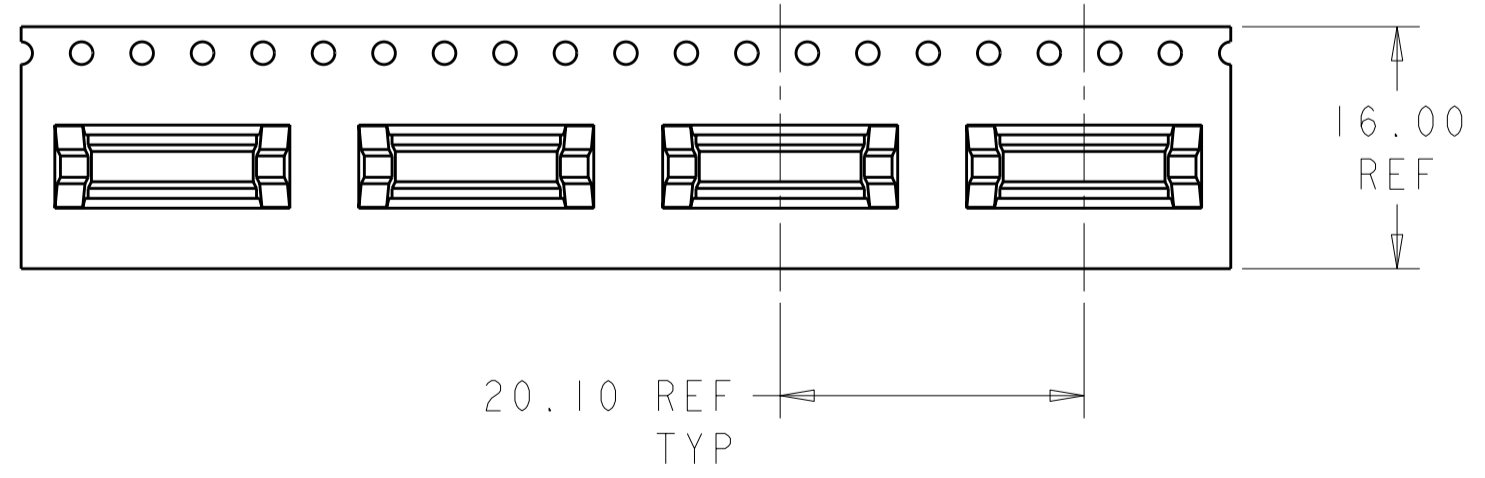


TAPE AND REEL PACKAGING DIAGRAM  
SCALE 2:1



DETAIL A  
SCALE 8:1

SEE DETAIL A



<small>THIS DRAWING IS A CONTROLLED DOCUMENT FOR TYCO ELECTRONICS CORPORATION. IT IS SUBJECT TO CHANGE AND THE CONTROLLING ENGINEERING ORGANIZATION SHOULD BE CONTACTED FOR THE LATEST REVISION.</small>		DWN 17OCT2007 GURURAJ S CHK - APVD - PRODUCT SPEC - APPLICATION SPEC - WEIGHT -	<b>Tyco Electronics</b> Tyco Electronics Harrisburg, PA 17105-3608
DIMENSIONS: mm 	TOLERANCES UNLESS OTHERWISE SPECIFIED: 0 PLC ± 1 PLC ±0.5 2 PLC ±0.10 3 PLC ± 4 PLC ± ANGLES ±3° FINISH	NAME POKE-IN CONNECTOR ASSEMBLY, 1 POSITION SMT	SIZE CAGE CODE DRAWING NO RESTRICTED TO A200779 C-2008563 -
MATERIAL SEE TABLE	SEE TABLE	CUSTOMER DRAWING	SCALE 1:1 SHEET 2 OF 2 REV A2