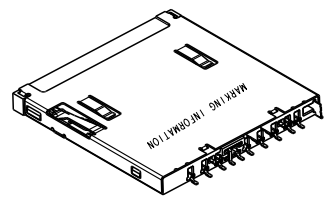
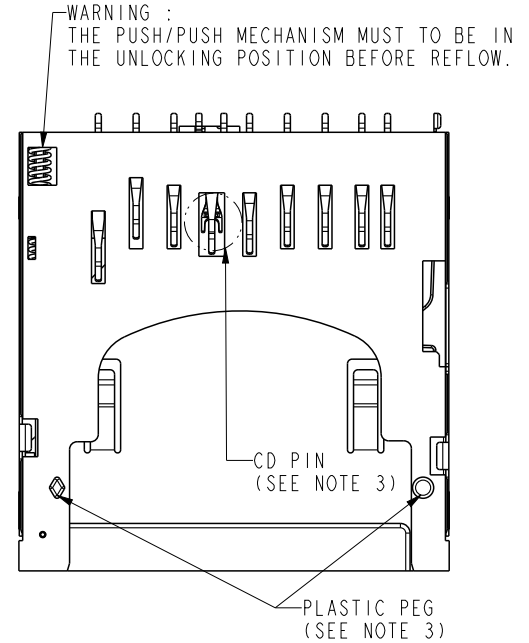
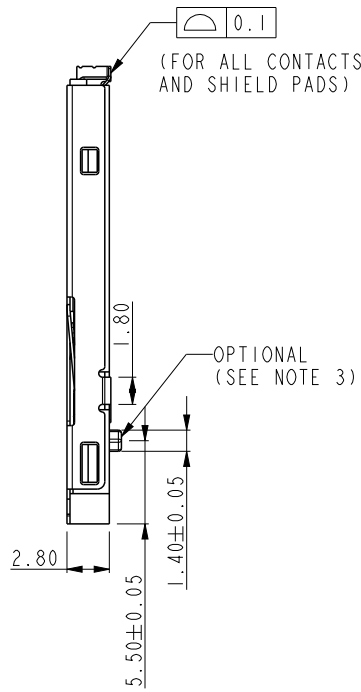
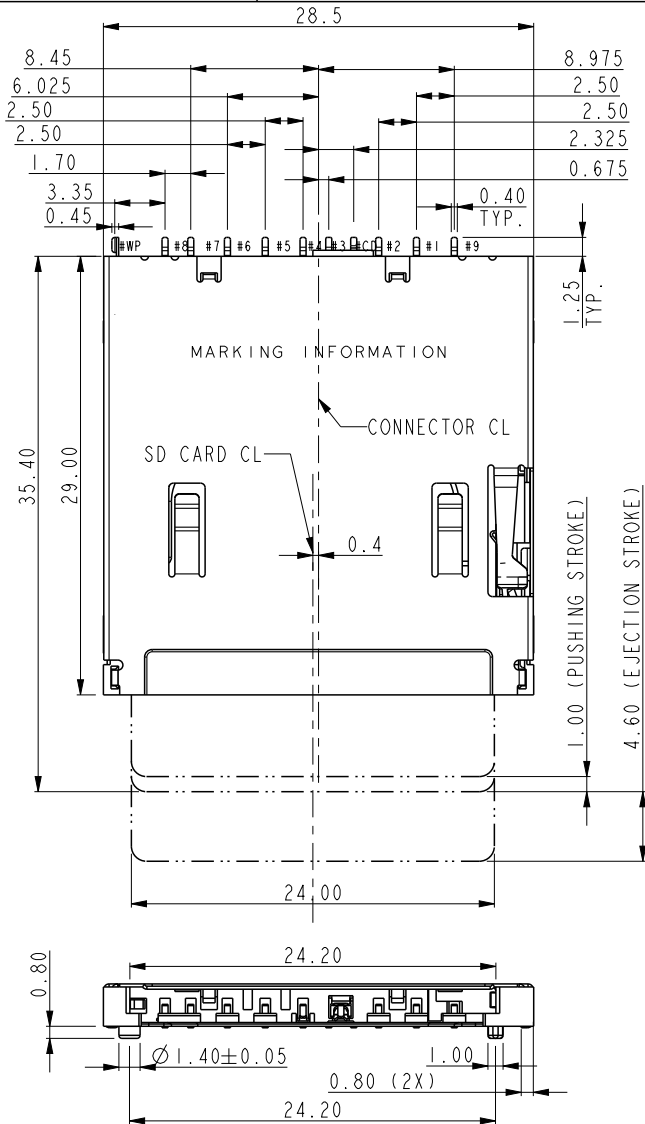


PRODUCT NO.  
10067847-0XXXXLF



rev	ecn no	dr	date
A	DG08-0034	JC	02-04-08
B	DG08-0190	BL	09-03-08
C	DG08-0289	BL	10-29-08
D	DG09-0050	BL	02-25-09
E	DG09-0158	BL	05-18-09
F	DG09-0258	BL	10-19-09
G	ELX-DG-012660-1	AL	2012-08-28
H	ELX-N-14385	HE	2013-05-22

spec ref	RELEASED	dr	Bill Lin	2008/09/28	projection	MM	size	A4	scale	1.000												
tolerance std	TOLERANCES UNLESS OTHERWISE SPECIFIED	eng	Henry Guo	2013/09/02			ecn no		ELX-N-14385-1													
ASME Y14.5		chr	-					rel level		Released												
surface	<table border="1"> <tr> <td>linear</td> <td>0.X</td> <td>±0.30</td> </tr> <tr> <td></td> <td>0.XX</td> <td>±0.20</td> </tr> <tr> <td></td> <td>0.XXX</td> <td>±0.10</td> </tr> <tr> <td>angular</td> <td>0°</td> <td>±2°</td> </tr> </table>	linear	0.X	±0.30		0.XX	±0.20		0.XXX	±0.10	angular	0°	±2°	appr	Rick Bian	2013/09/04	product family		SD		rev	
linear	0.X	±0.30																				
	0.XX	±0.20																				
	0.XXX	±0.10																				
angular	0°	±2°																				
				title		ASSEMBLY		dwg no		10067847												
				title		SD CARD READER		rev		H												
		www.fci.com		cat. no.		10067847		Product - Customer Drw		sheet 1 of 3												

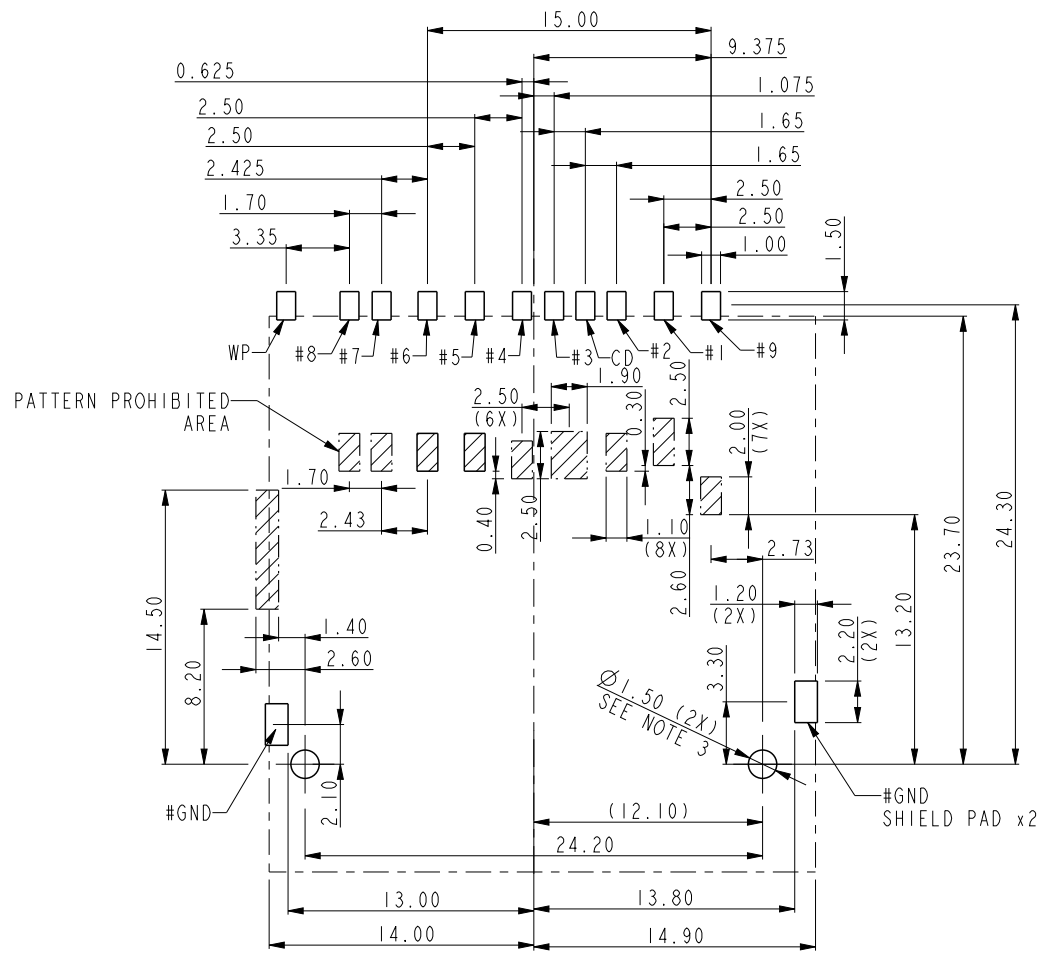


Copyright FCI.

ProjE File - REV C - 2009-06-09



Copyright FCI.



RECOMMENDED PCB LAYOUT  
(FOR 10067847-0XXXLF)

dr	Bill Lin	2008/09/28	projection 	MM 	size	A4	scale	1.000
eng	Henry Guo	2013/09/02			ecn no	ELX-N-14385-1		
chr	-	-			rel level	Released		
appr	Rick Bian	2013/09/04	product family	SD		rev	H	
		title	ASSEMBLY SD CARD READER		dwg no	10067847		sheet 2 of 3
www.fci.com		cat. no.	10067847	Product - Customer Drw		sheet 2 of 3		

NOTES:

- 1. MATERIAL  
HOUSING : HIGH TEMPERATURE THERMOPLASTIC RESIN.  
CONTACT : COPPER ALLOY  
SHIELD : STAINLESS.
- 2 PLATING:  
CONTACT : 50u" NICKEL UNDERPLATED ALL OVER.  
100u" MATTE TIN ON SOLDER TAIL AREA.  
GOLD PLATED ON CONTACT AREA (SEE CONTACT PLATING IN NOTE 3).

3. PART NUMBER DESCRIPTION:

10067847-X X X X X

- LF: LEAD FREE
- R : TAPE & REEL
- T : TRAY PACKAGING
- CONTACT PLATING :
- 1: 50u" Au OVER Ni
- 0: WITH PLASTIC PEG
- 1: WITHOUT PLASTIC PEG
- 0: CD PIN LAST MATE FIRST BREAK

PIN ASSIGNMENT

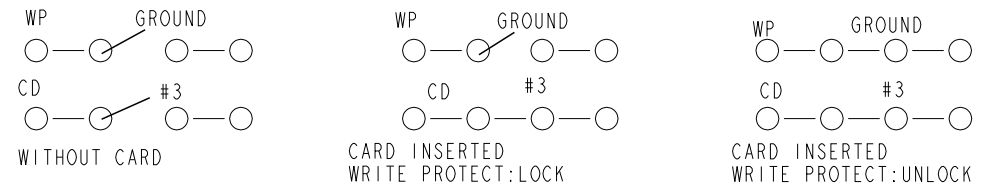
NO.	DESCRIPTION
#1	CD/DAT3
#2	CMD
#3	VSS
#4	VDD
#5	CLK
#6	VSS
#7	DAT0
#8	DAT1
#9	DAT2
#CD	CARD DETECTION
#WP	WRITE PROTECT
#GND	GROUND

4 MARKING INFORMATION

PXXXXXXXXXX

- V2: UD321 LUBRICANT
- V3: UD321 LUBRICANT WITH ENGINEERING CHANGE BASED ON PCN09116.
- PRODUCTION LINE CODE
- DATE CODE THROUGH 01 TO 31
- WEEK NUMBER 01 THROUGH 53
- YEAR CODE:
- MOST RIGHT OF DIGIT OF PRODUCTION.  
(e.g. 2008=8)
- MANUFACTURE SITE; 1.FOR NANTONG 2 FOR DONGGUAN
- SOURCE; P FOR CHINA

CIRCUIT :



dr	Bill Lin	2008/09/28	projection 	MM 	size	A4	scale	1.000
eng	Henry Guo	2013/09/02			ecn no	ELX-N-14385-1		
chr	-	-			rel level	Released		
appr	Rick Bian	2013/09/04	product family	SD	rev	H		
		title	ASSEMBLY SD CARD READER		dwg no	10067847		
www.fci.com	cat. no.	10067847	Product - Customer Drw		sheet 3 of 3			



Copyright FCI.