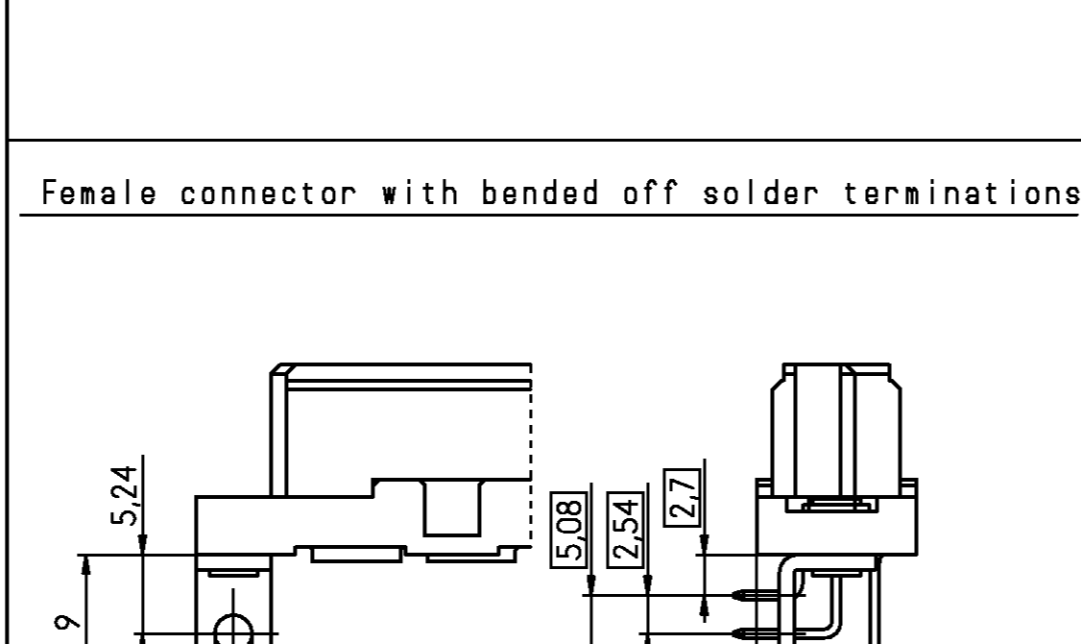
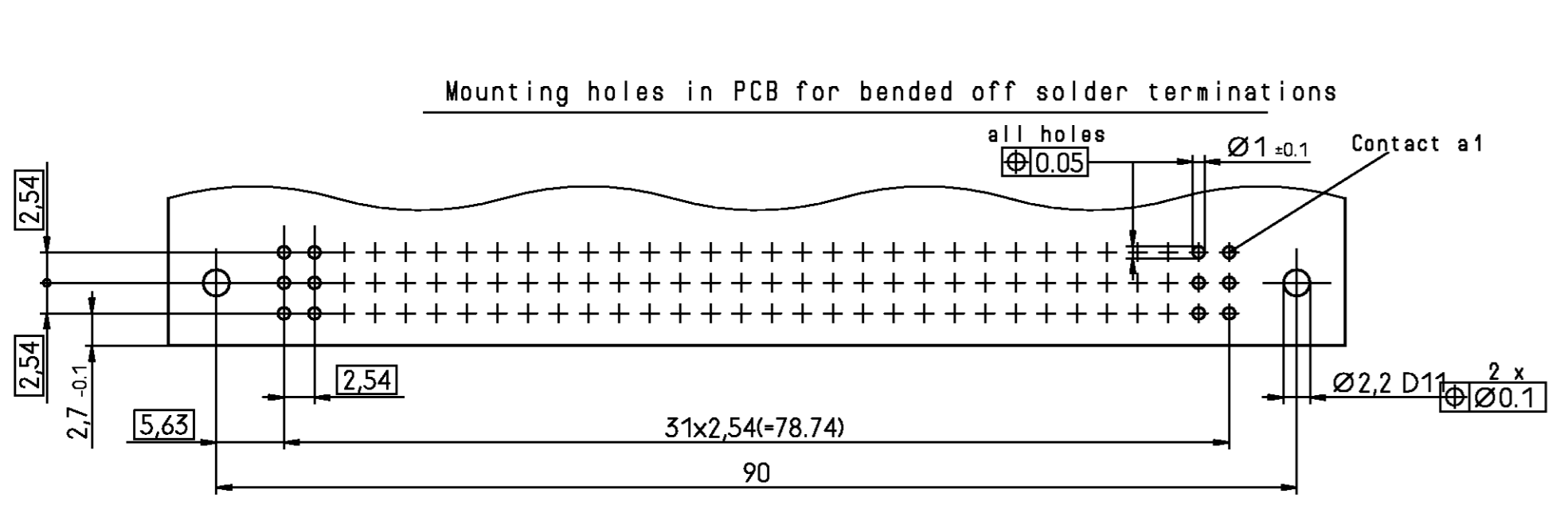
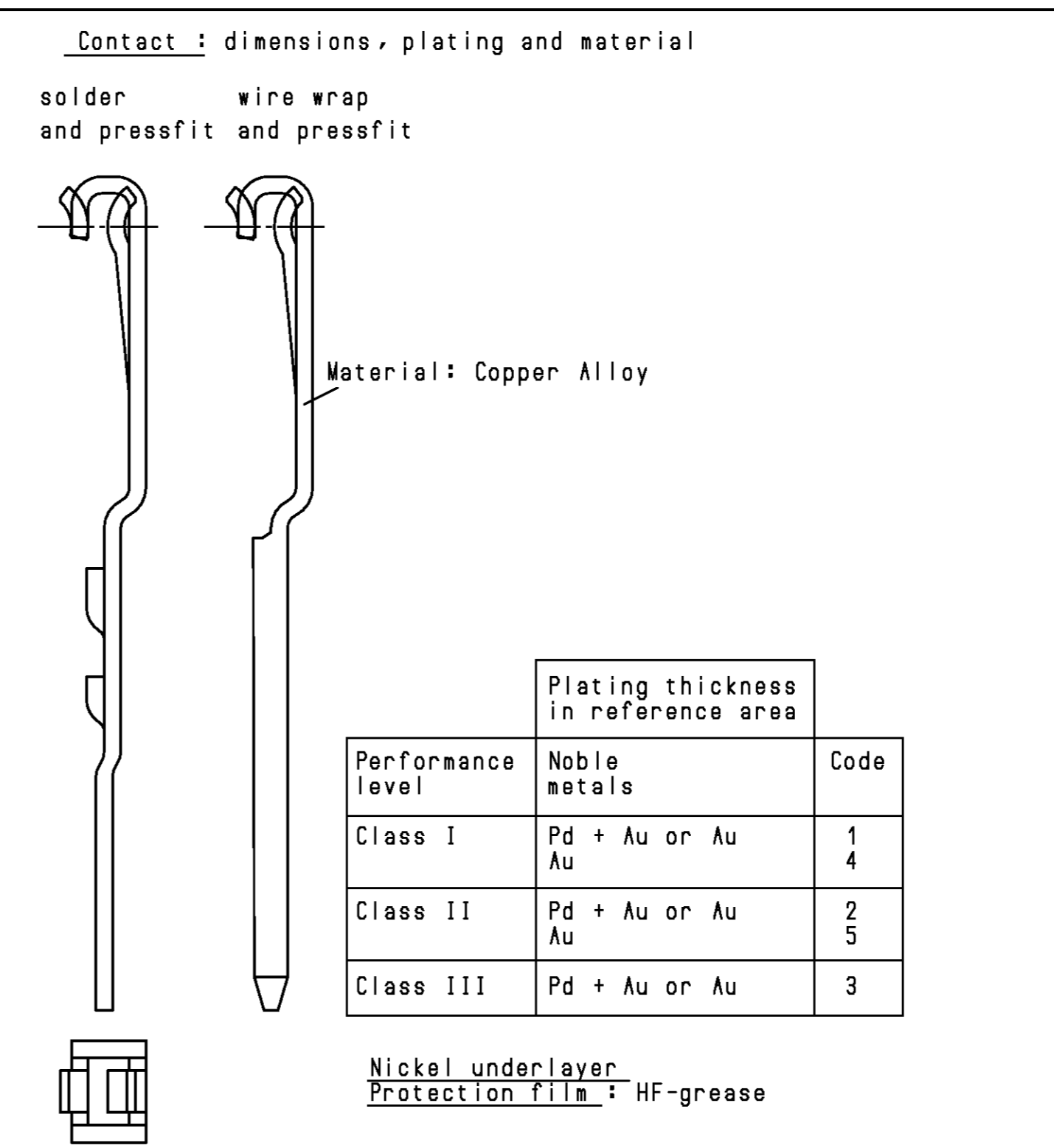
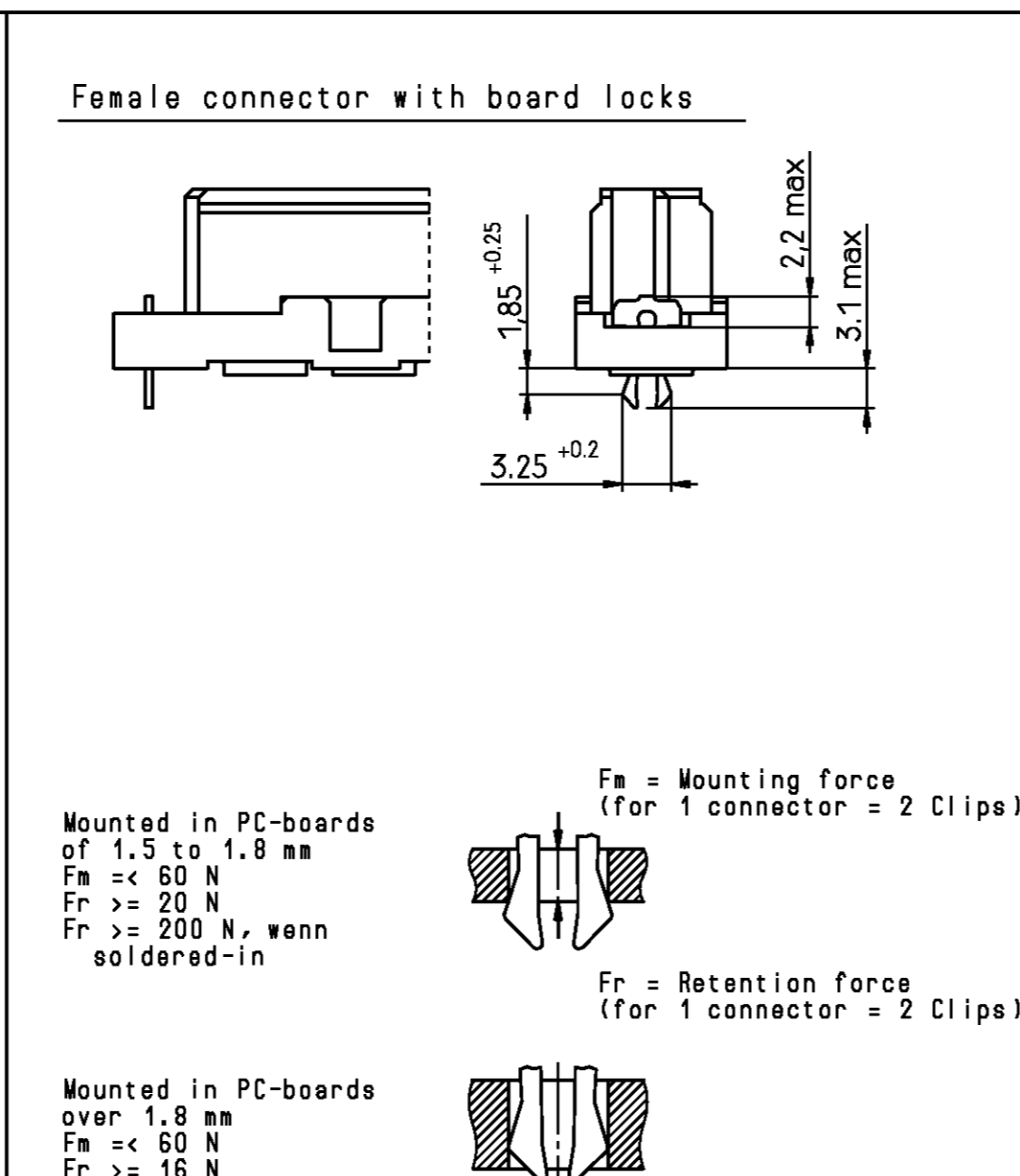
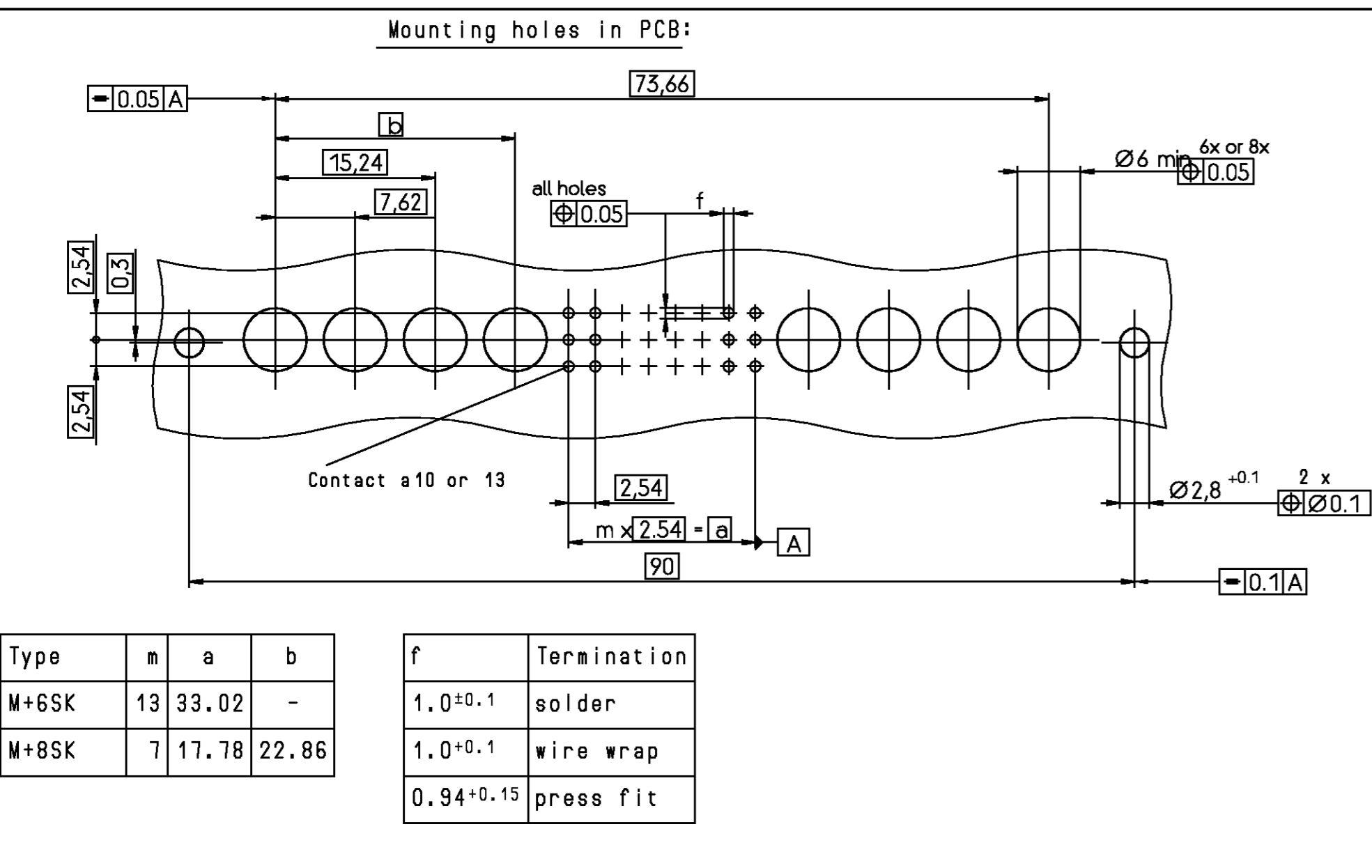
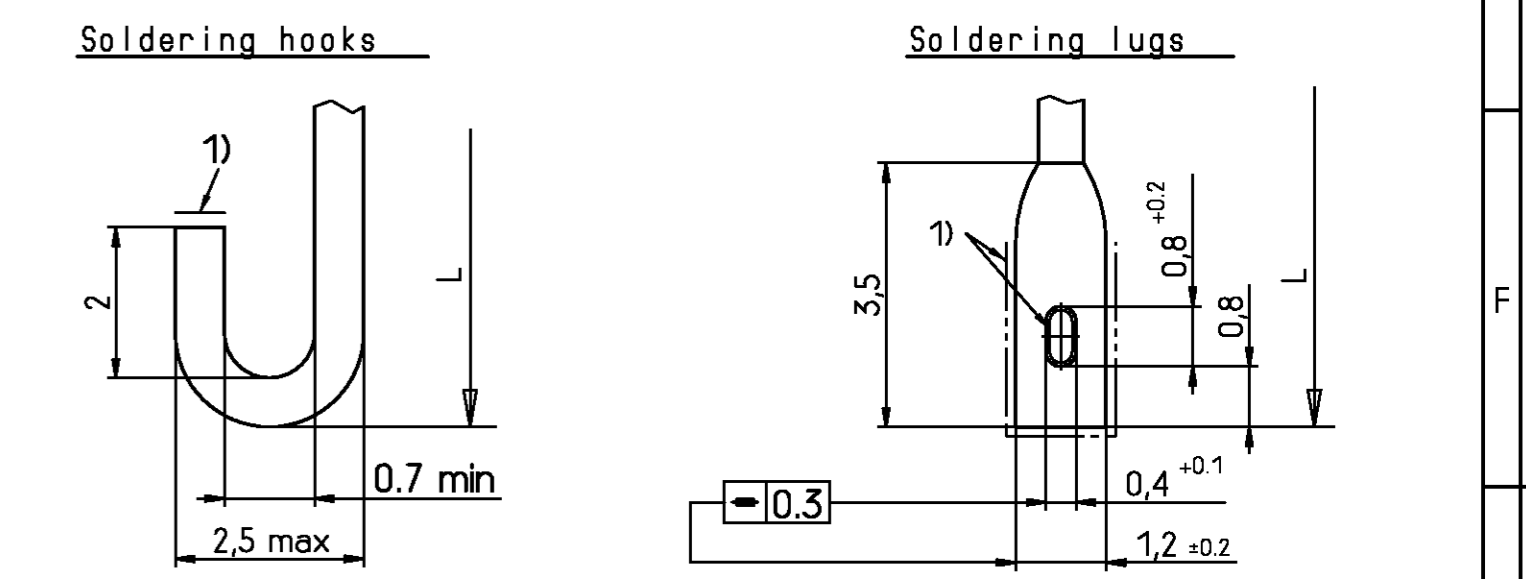


Termination Styles

Termination Style	L	Code
Solder terminations	2.9 ± 0.3	01
	3.7 ± 0.3	05
	4.5 ± 0.3	02
	6.3 ± 0.3	03
Wire wrap terminations and solder termination	7.3 ± 0.3	40
	13 ± 0.5	
Soldering hooks	5.5 ± 0.3 10 ± 0.5	30
	5.5 ± 0.3 10 ± 0.5	
Solder banded off	3 - 0.4	10
	with angle bracket	
Solder banded off	1.55 - 0.4	00
Termination with galvanic plating		



V42254- B 2 * * * - M * * *

Code 2 - Basic version
Code 9 - version without flanges

Code for performance level
Code for termination style

Style, no of contacts and contact assignment see data-book

1) Cutting edges not plated

THIS INFORMATION IS CONFIDENTIAL AND PROPRIETARY TO TYCO ELECTRONICS CORPORATION AND ITS WORLDWIDE SUBSIDIARIES AND AFFILIATES. IT MAY NOT BE DISCLOSED TO ANYONE, OTHER THAN TYCO ELECTRONICS CORPORATION, WITHOUT WRITTEN AUTHORIZATION FROM TYCO ELECTRONICS CORPORATION, HARRISBURG, PENNSYLVANIA USA.

tyco Electronics

TYCO ELECTRONICS CORPORATION
OOSTKAMP - BELGIUM

SCALE: 2:1
MATERIAL

DATE: 18.10.89
NAME: Vanbesien
DEP: PD.COM

PART NAME: Receptacle Assembly Eurocard
Type M with 6 and 8 Special Contacts

PART NO.: V42254-B2***-M4***-7626

REV: B SR10-0198-01 21.05.01 BC TOLERANCE UNLESS SPECIFIED OTHERWISE
A WO 00/7012 20.07.00 VS
04 WO 93/055 25.11.92 CUV

APP: Customer Drawing Nr. C 4-1393640-1

SHEET: 1+
OF 2

THIS INFORMATION IS CONFIDENTIAL AND PROPRIETARY TO TYCO ELECTRONICS CORPORATION AND ITS WORLDWIDE SUBSIDIARIES AND AFFILIATES. IT MAY NOT BE DISCLOSED TO ANYONE, OTHER THAN TYCO ELECTRONICS PERSONNEL, WITHOUT WRITTEN AUTHORIZATION FROM TYCO ELECTRONICS CORPORATION, HARRISBURG, PENNSYLVANIA, USA.

PROPRIETARY:

Old Part Number	Tyco Part Number	Style & Number of Positions	Termination Posts	Loaded Rows	Performance Level	Board Locks
V42254-B2110-W240	4-1393640-1	W24+8	right-angle solder leads with mounting bracket	every row , every pitch	1	No
V42254-B2110-W420	4-1393640-2	W42+6	right-angle solder leads with mounting bracket	every row , every pitch	1	No
V42254-B2135-W240	5-1393640-3	W24+8	5.5/10mm solder lugs	every row , every pitch	1	No
V42254-B2140-W240	6-1393640-4	W24+8	13mm straight wire-wrap pins	every row , every pitch	1	No
V42254-B2140-W420	6-1393640-5	W42+6	13mm straight wire-wrap pins	every row , every pitch	1	No
V42254-B2201-W240	9-1393640-7	W24+8	2.9mm straight solder leads	every row , every pitch	2	No
V42254-B2201-W410	9-1393640-9	W42+6	2.9mm straight solder leads	every row , every pitch	2	Yes
V42254-B2201-W420	0-1393641-1	W42+6	2.9mm straight solder leads	every row , every pitch	2	No
V42254-B2201-W423	0-1393641-2	W42+6	2.9mm straight solder leads	row 8 to , every pitch	2	No
V42254-B2202-W240	4-1393641-2	W24+8	4.5mm straight solder leads	every row , every pitch	2	No
V42254-B2202-W420	4-1393641-4	W42+6	4.5mm straight solder leads	every row , every pitch	2	No
V42254-B2202-W420D	4-1393641-5	W42+6	4.5mm straight solder leads	every row , every pitch	2	No
V42254-B2203-W240	6-1393641-0	W24+8	6.3mm straight solder leads	every row , every pitch	2	No
V42254-B2240-W240	2-1393642-3	W24+8	13mm straight wire-wrap pins	every row , every pitch	2	No
V42254-B2240-W420	2-1393642-5	W42+6	13mm straight wire-wrap pins	every row , every pitch	2	No

Active part numbers.
Contact Tyco Electronics for other configuration availability

tyco TYCO ELECTRONICS CORPORATION		SCALE	WEIGHT
OOSTKAMP - BELGIUM		MATERIAL	
Electronics		LCC DIMENSIONS IN MM	
DATE	18.10.89	PART NAME	
NAME	Varbesien	Receptacle Assembly Eurocard	
DEP.	PD.COM	Type M with 6 and 8 Special Contacts	
TOLERANCE UNLESS SPECIFIED OTHERWISE		PART NO.	SHT. 2.
A W0 00/012 20.07.00 VS		V42254-B2***-M4***-7626	
REV.	CHANGE ORDER	DATE	APP.
			Customer Drawing Nr. C 4-1393640-1

- [Home](#)
- [Part Number Search](#)
- [Text Search](#)
- [Alternate Part Search](#)
- [Multiple Part Comparison](#)
- [Alphabetical Search](#)
- [Brand Search](#)
- [Industry Product Search](#)
- [Product Type Search](#)
- [Product Family Search](#)
- [Competitor Cross Reference](#)
- [Document Number Search](#)
- [Lead Free Solutions](#)
- [Help/Glossary](#)

Current Brand View

AMP

[View All Tyco Electronics](#)

[Brands](#)

Click to activate links to all other products

.100 & .200 Centerline DIN 41612 Connectors (Eurocard) Eurocard Type M Connectors and RS-System .100 Centerline - 3 Row Signal, Power, Coax

AMP 4-1393640-2 -- 1 of 1 products [Active](#) [Active](#)

(Tyco Electronics P/N: 4-1393640-2)

	Sales Information	AMP ACES	Step Search Screen
		Related Documents	General Information
		Pricing	Product Availability

Please use the customer drawing for all design activity.

- **Customer Drawing: 4-1393640-1, Rev. B**
Document Title: Receptacle Assembly Eurocard, Type M with 6 and 8 Special Contacts

[218963.pdf](#) [218963.pdf](#) (159K)

Searchable Features:

Brand:	AMP
Product Series:	Type M
Product Type:	Connector
Mating Type:	Receptacle
No. of Power or Coaxial Contacts:	6
No. of Signal Contacts:	42

Other Properties:

Contact Type:	Coaxial, Power, Signal
Loaded with Single Contacts Only:	Yes
Rows Loaded:	A, B, C
Contact Material:	Copper Alloy

Mount Angle:	Right Angle
Post Type:	Solder Post
Termination Post Length (mm [in]):	3.00 [.118]
DIN Level:	I
Application:	Standard

Housing Material:	30% Glass-Filled Polyester
Color:	Gray
Housing Flammability Rating:	UL 94V-0
Comment:	With mounting bracket

[Copyright](#) and [Privacy Statement](#)

Visit [Tyco International, Ltd.](#)

[Products](#) | [Brands](#) | [Industries](#) | [Customer Service](#) | [About](#) | [Home](#)