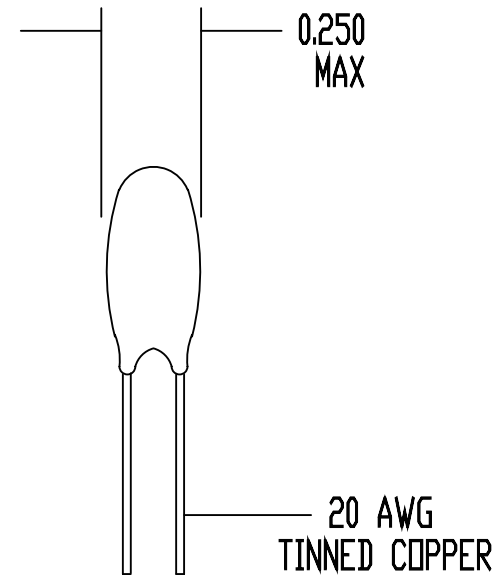
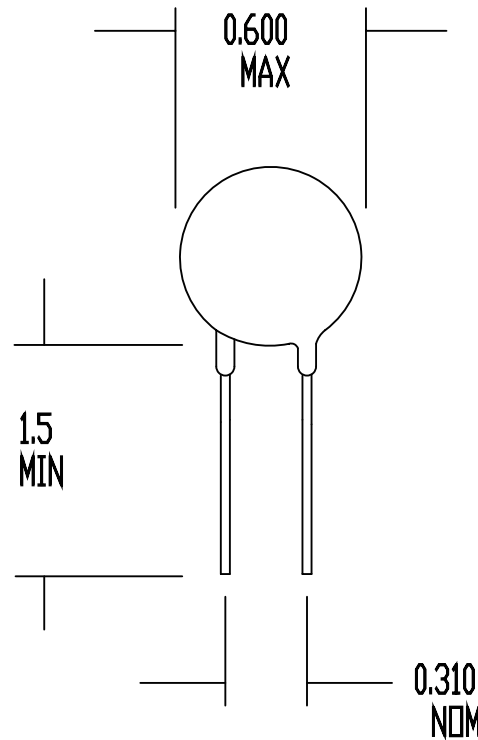



REV	DATE	ECD#
A	06/11/93	1265

DRAWING NOT TO SCALE  
ALL DIMENSIONS IN INCHES



**SPECIFICATIONS:**

RESISTANCE AT 25 DEG C = 5 OHMS +/- 10%  
 MAXIMUM CONTINUOUS CURRENT (I<sub>max</sub>) = 6.0 AMPS  
 RESISTANCE AT I<sub>max</sub> = 0.1 OHMS NOMINAL  
 MAXIMUM VOLTAGE RATING = 265 VAC (RMS)  
 MAXIMUM SURGE RATING = 30 JOULES  
 ENCAPSULATION = SILICONE RESIN  
 MARKING = OPTIONAL  
 LEADS = RODAN P/N STL-209-20

DRAWN BY D. NGUYEN		 <b>AMETHERM</b> <i>Circuit Protection Thermistors</i>
DATE 05/02/90	ORIG. F.TISED	
REV A	APP	<b>SURGE-GARD</b> <b>INRUSH CURRENT LIMITER</b>
SHEET 1 OF 1		SG57